

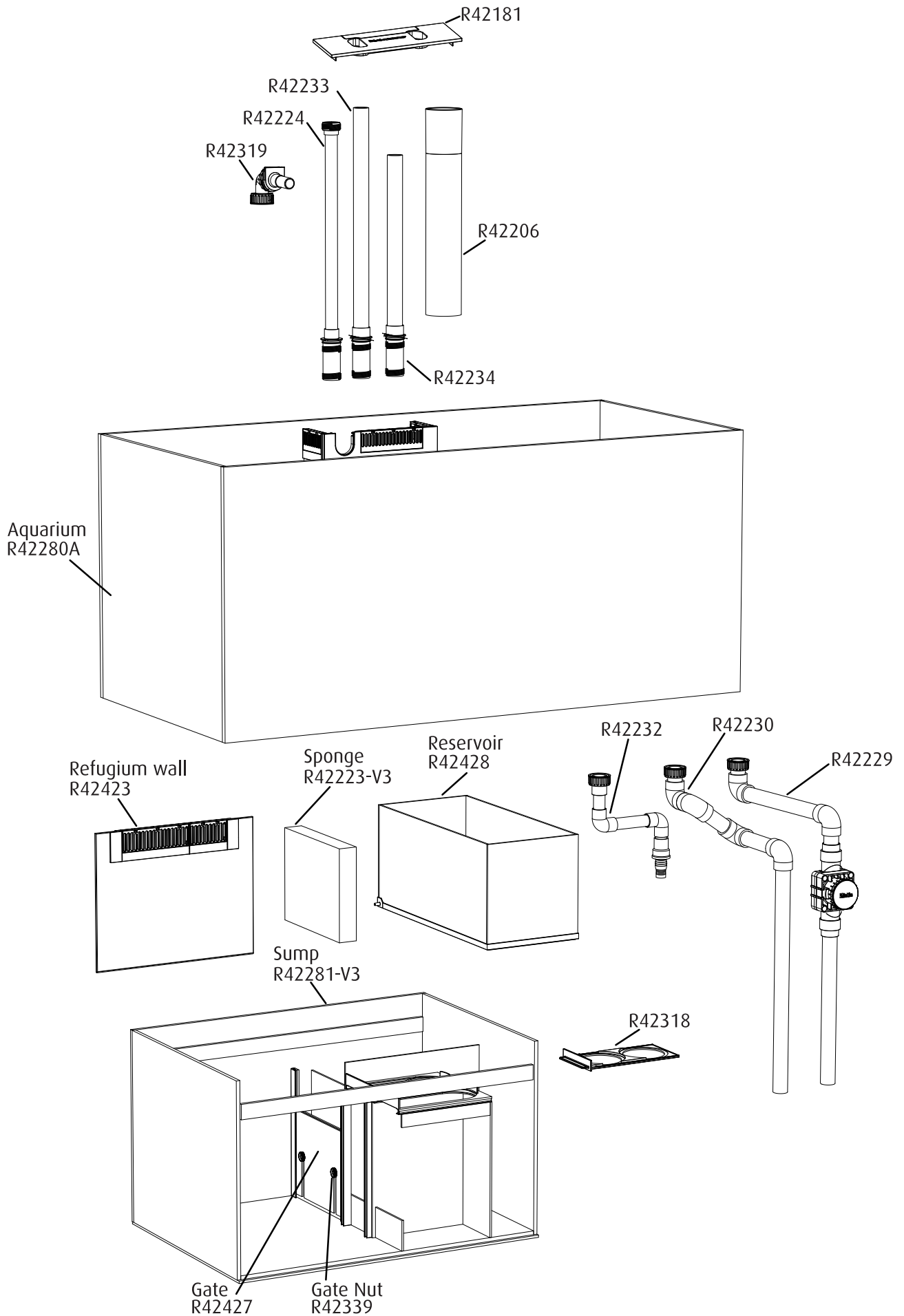
# **Red Sea REEFER™**

XL 425 (refugium ready)

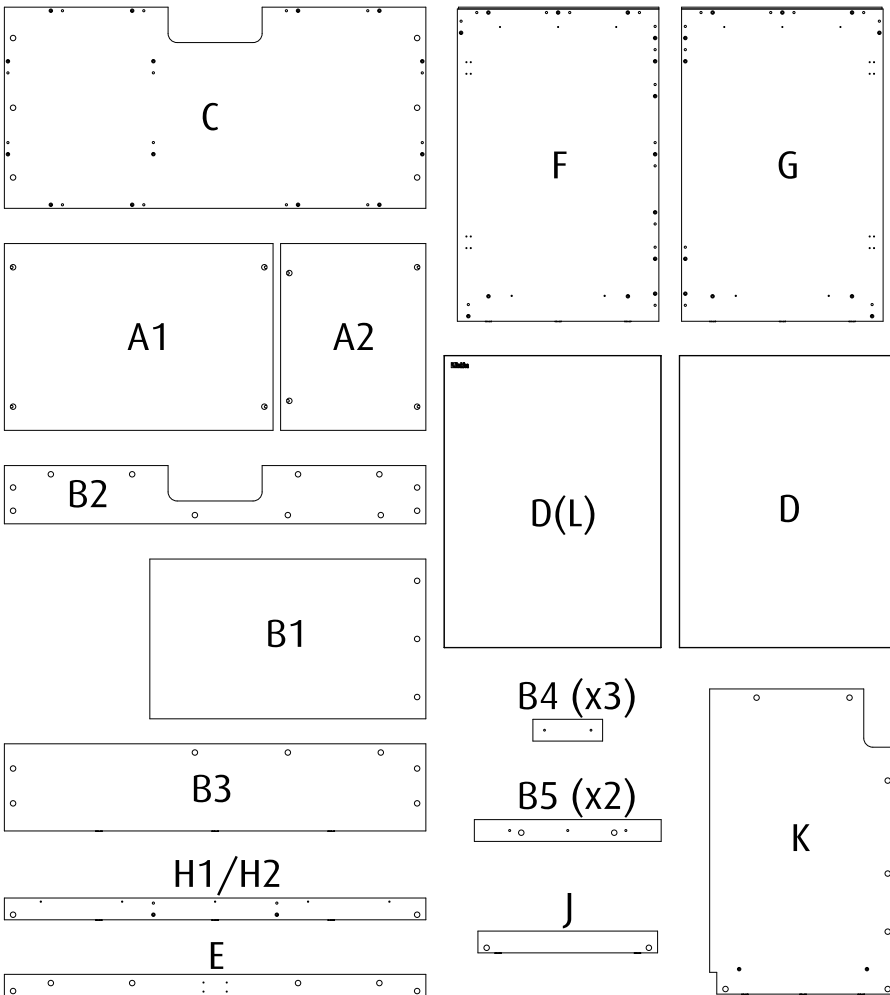
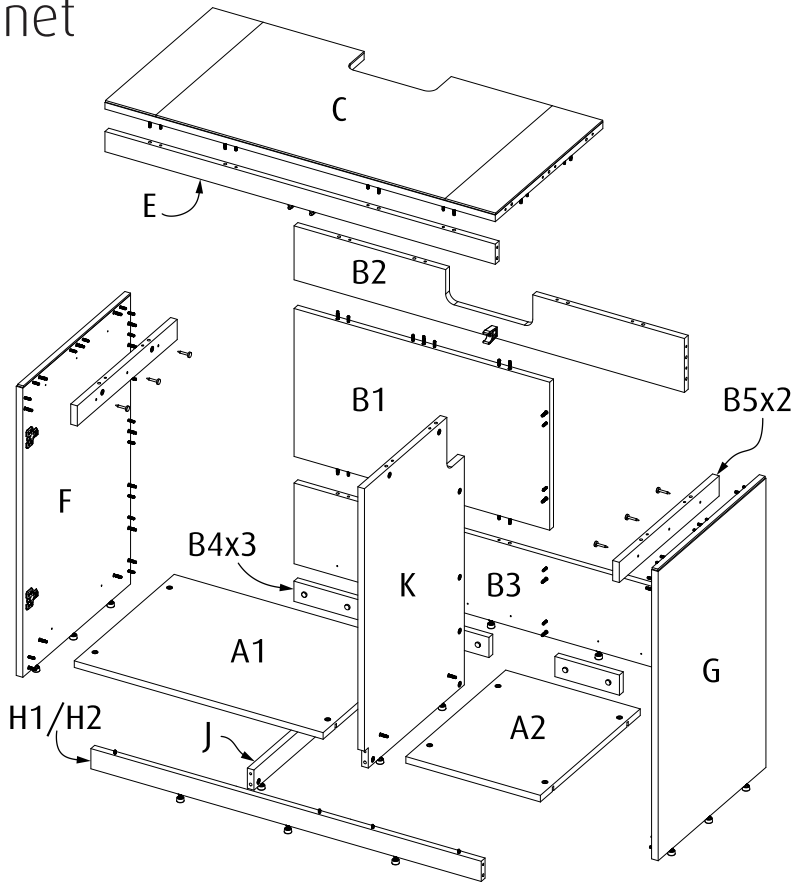
---

Aquarium & Cabinet Assembly Manual

# Aquarium Water Management System

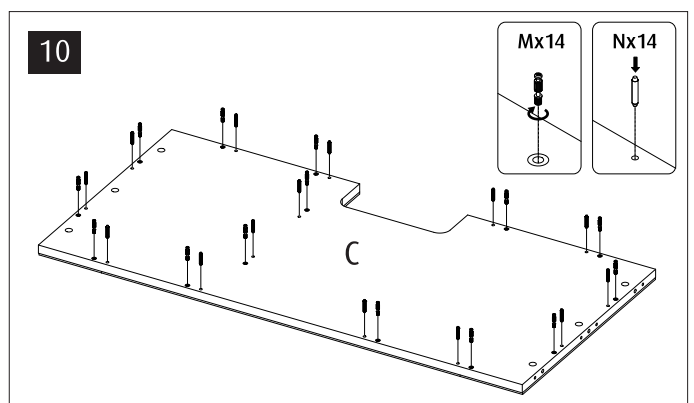
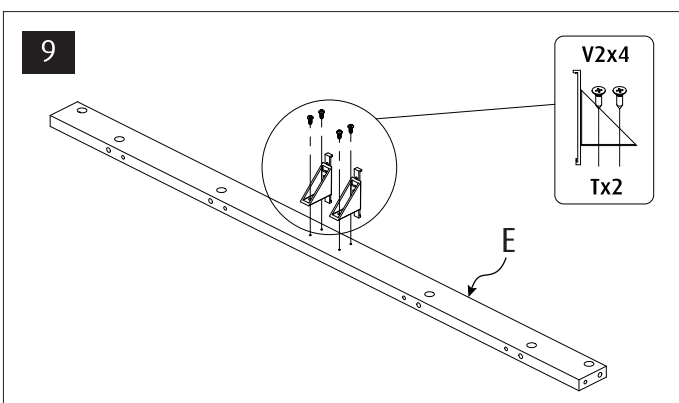
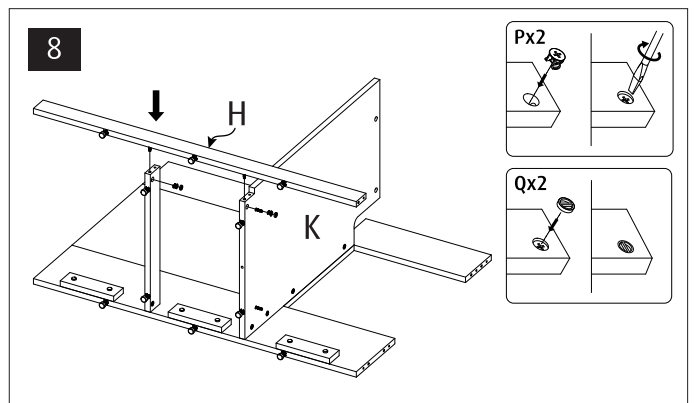
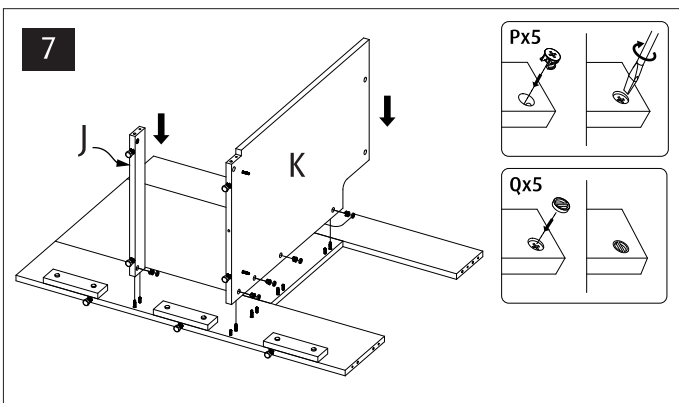
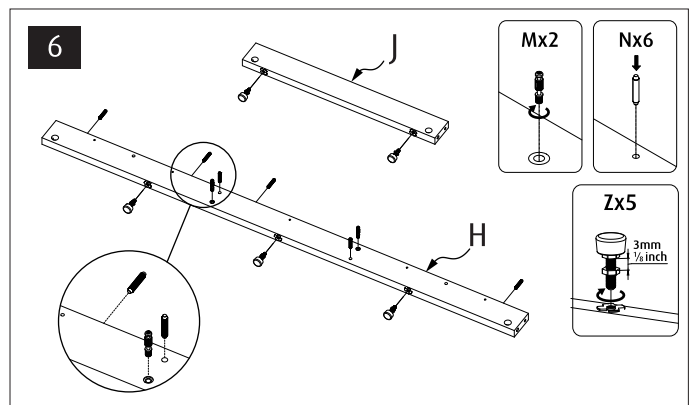
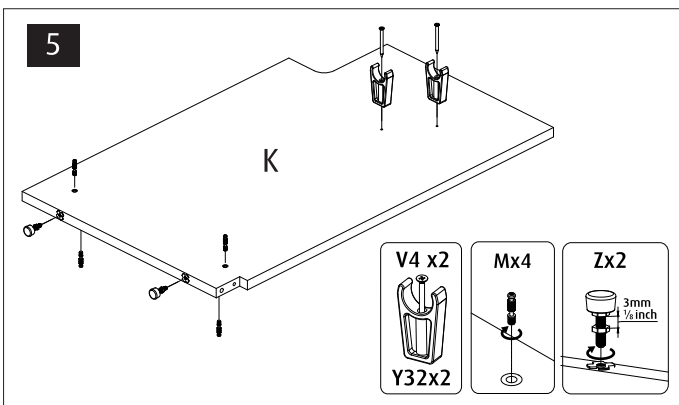
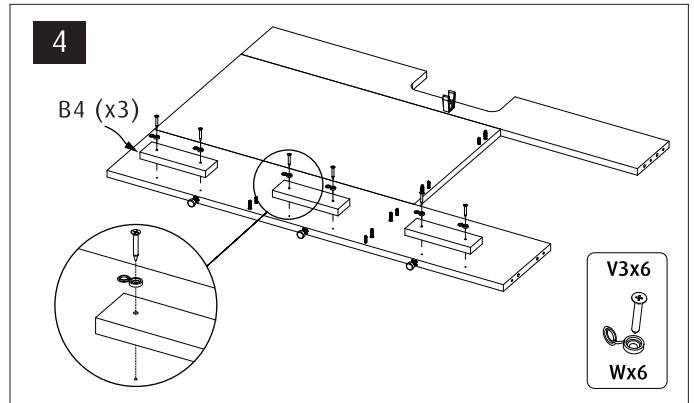
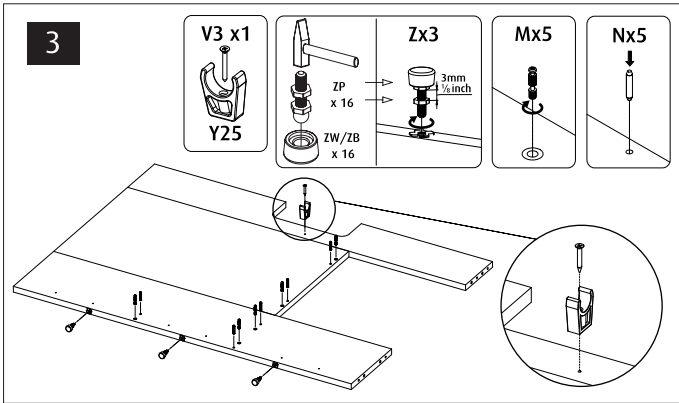
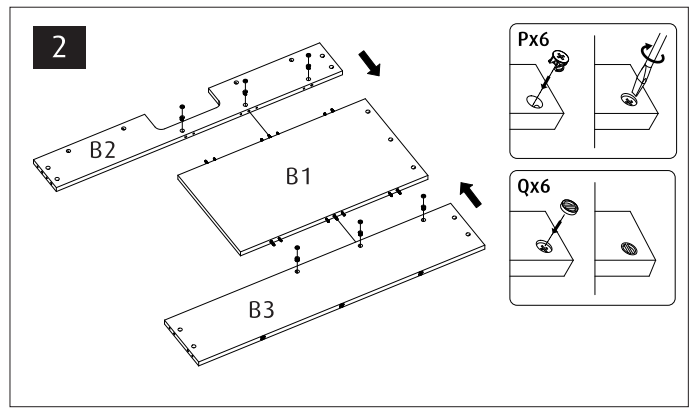
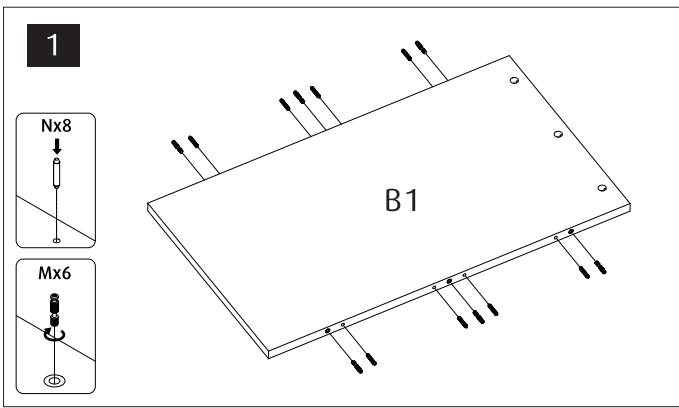


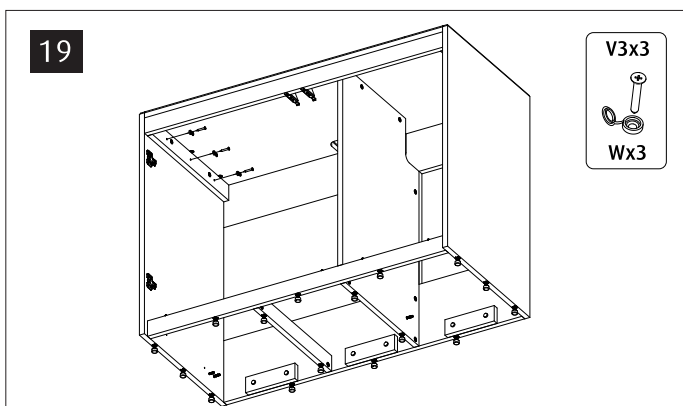
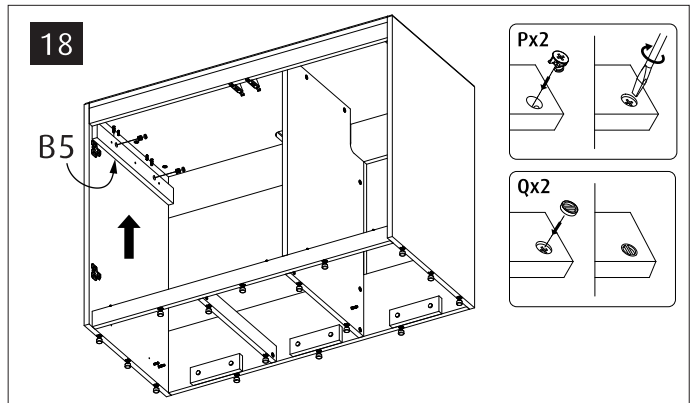
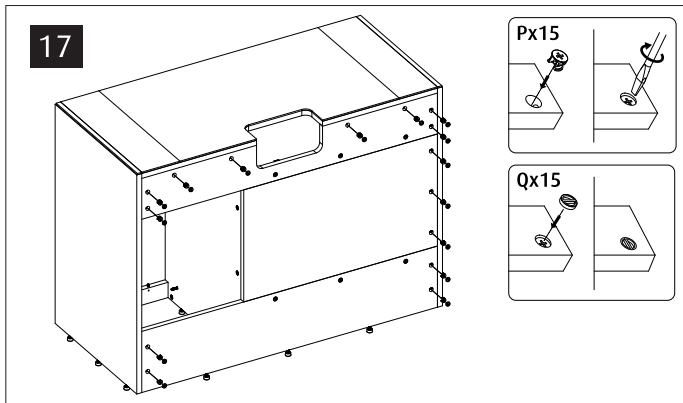
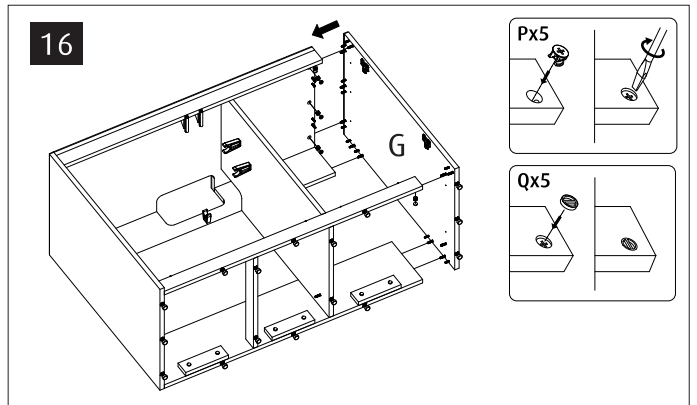
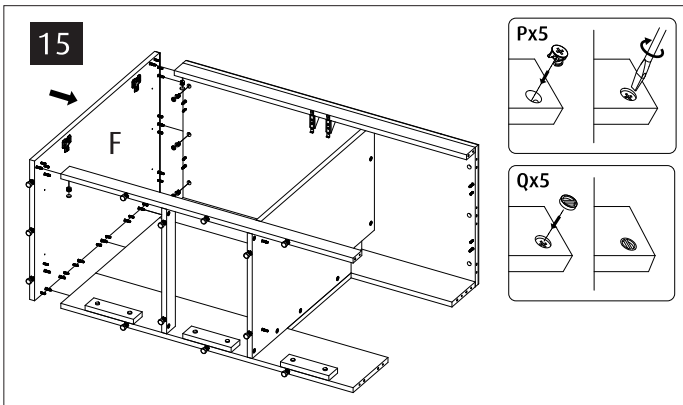
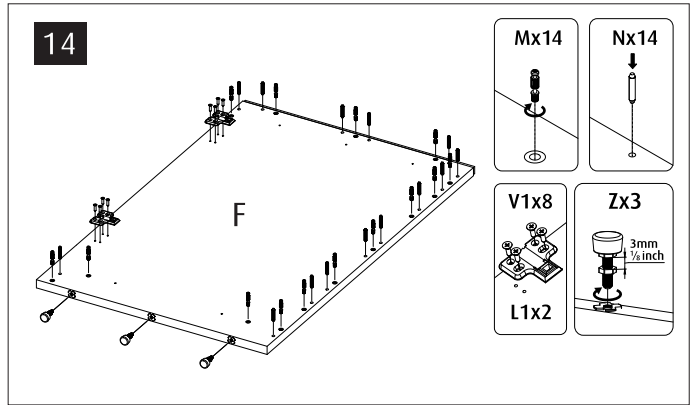
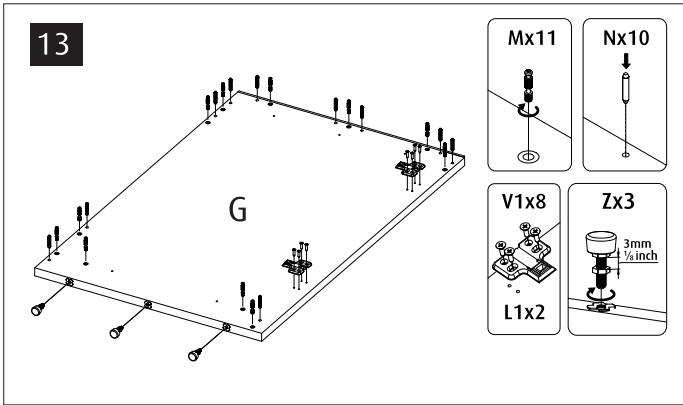
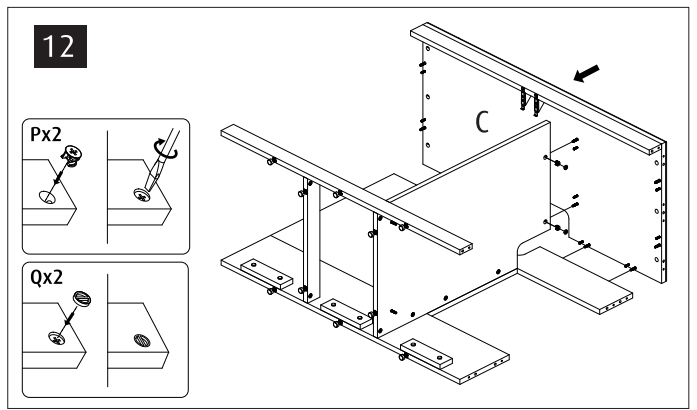
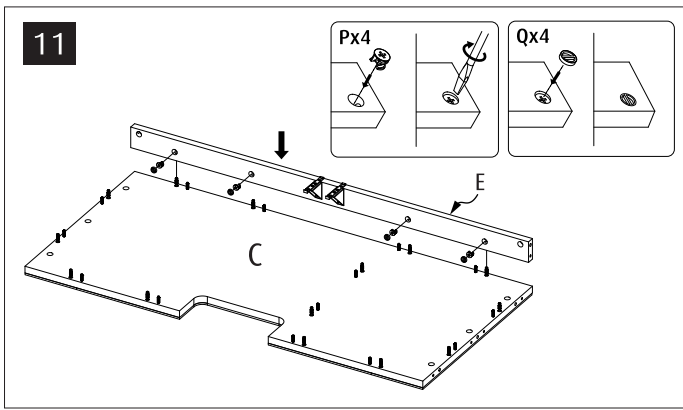
# Cabinet

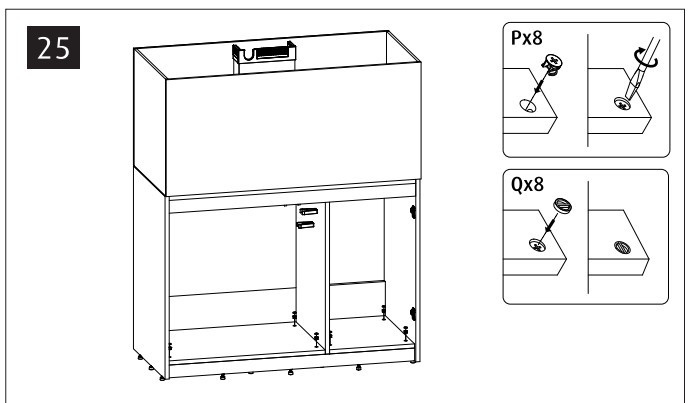
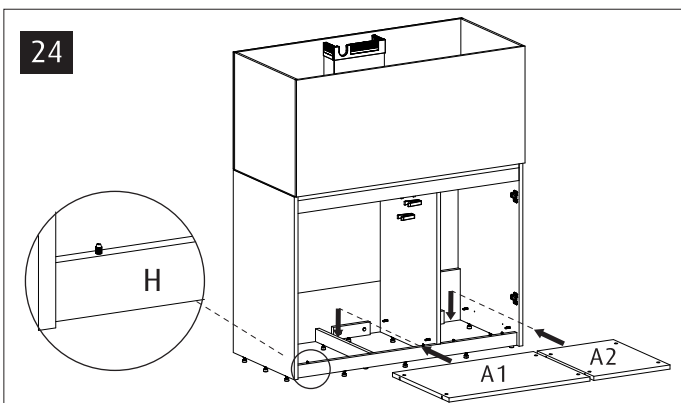
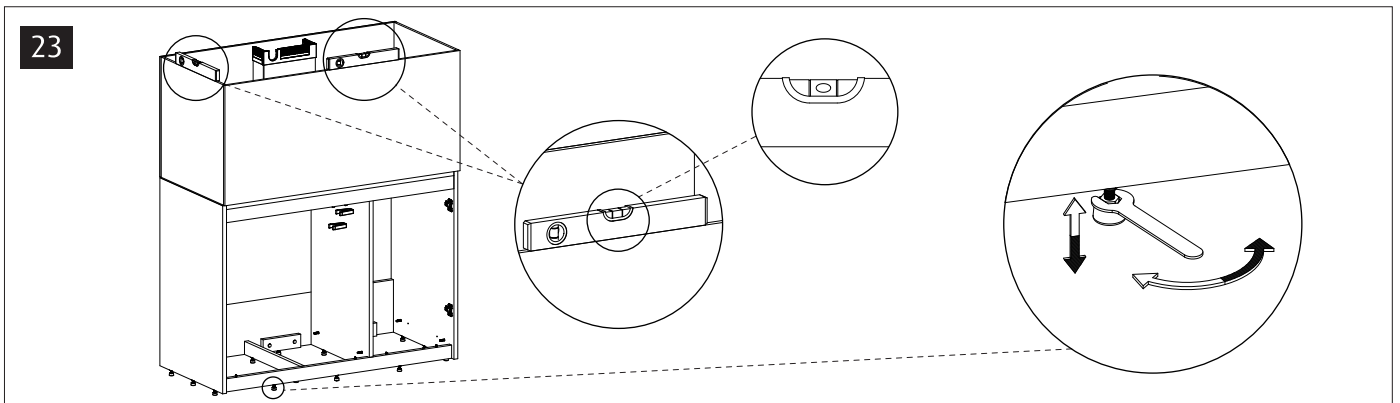
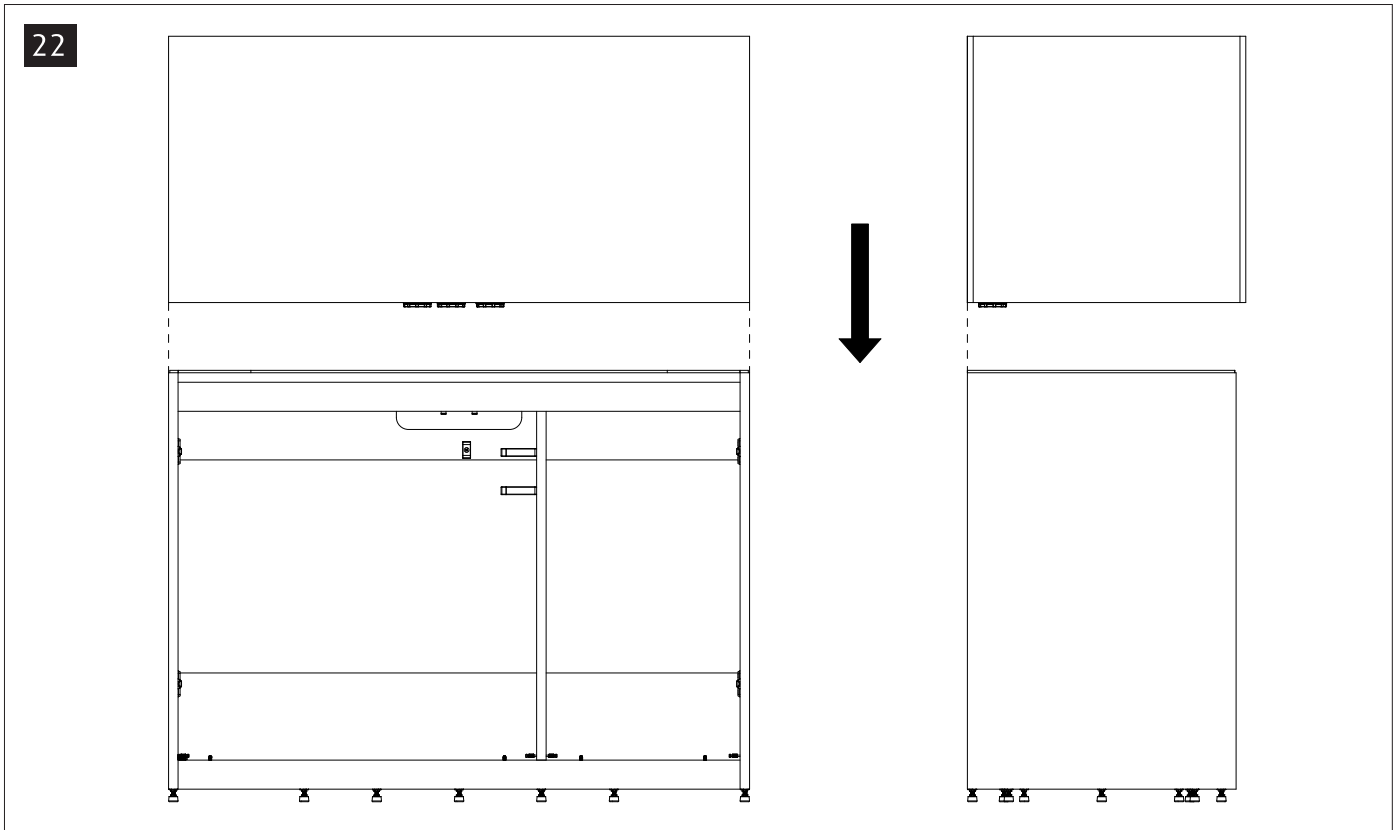
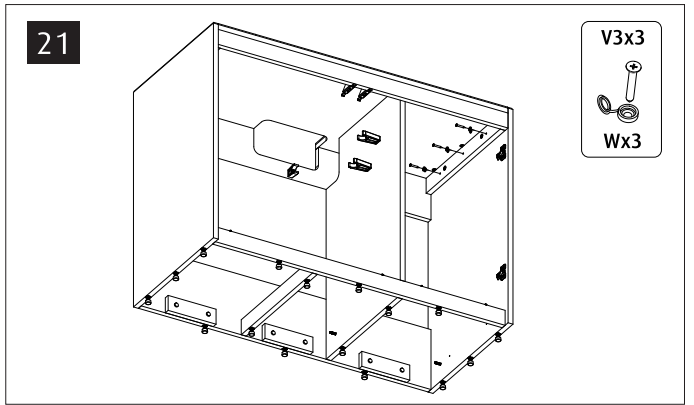
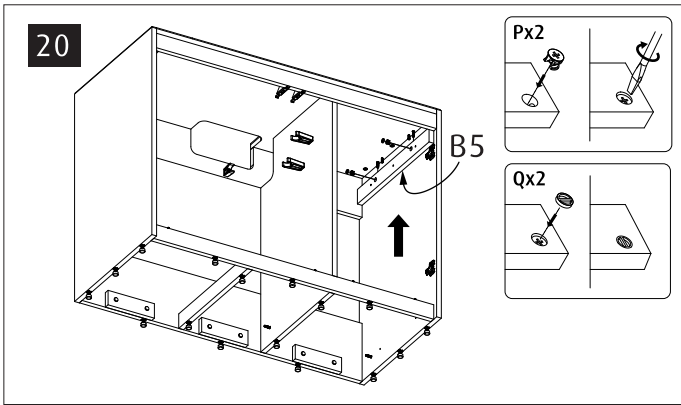


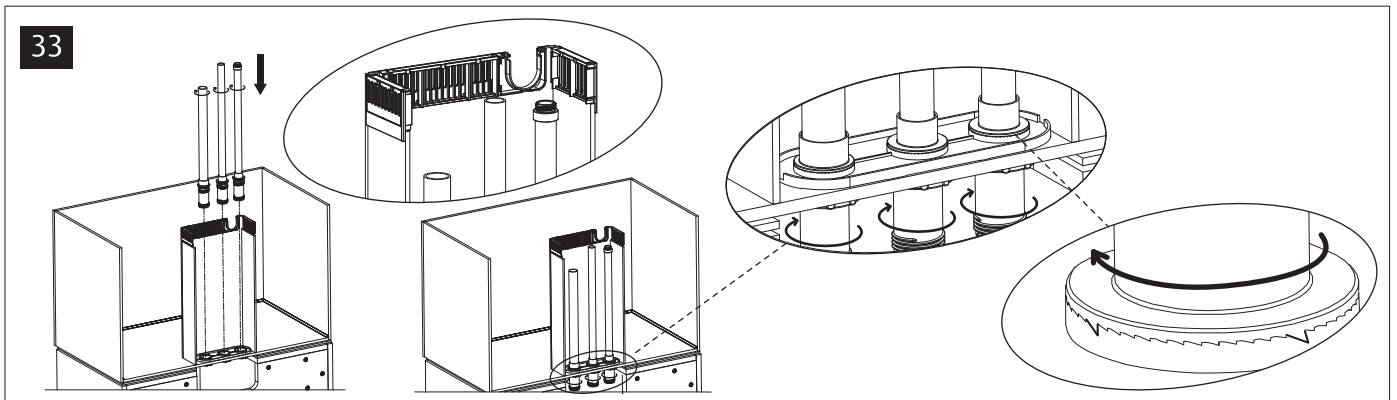
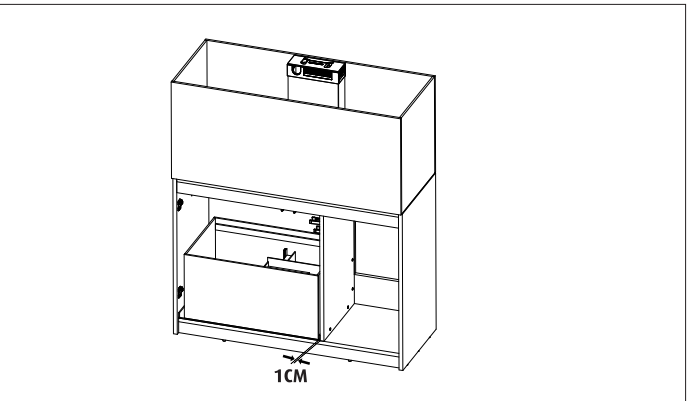
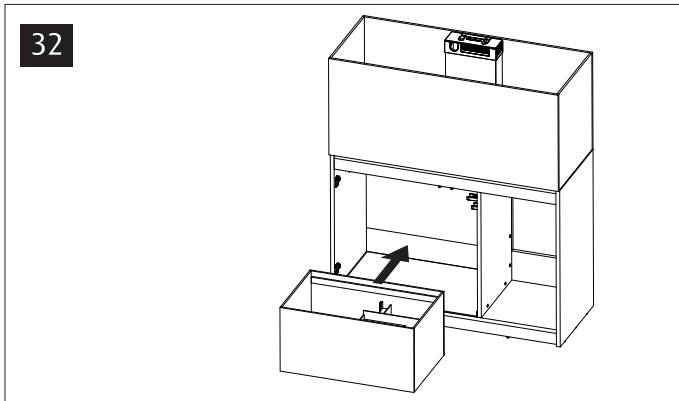
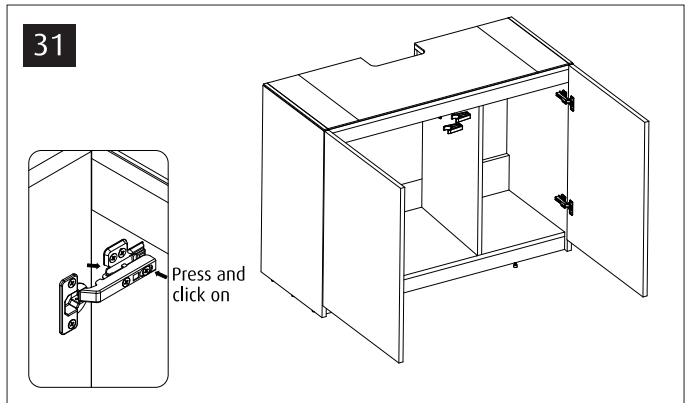
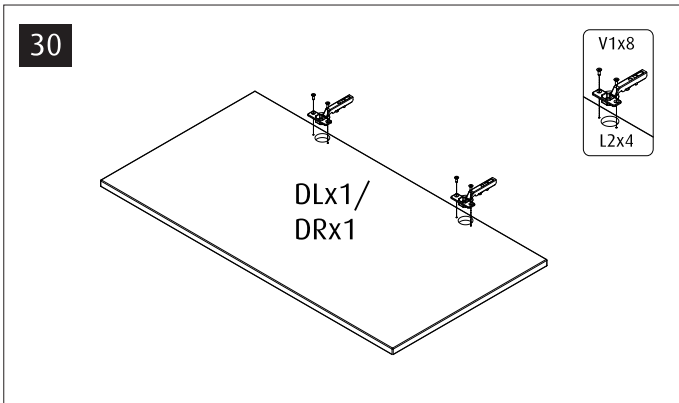
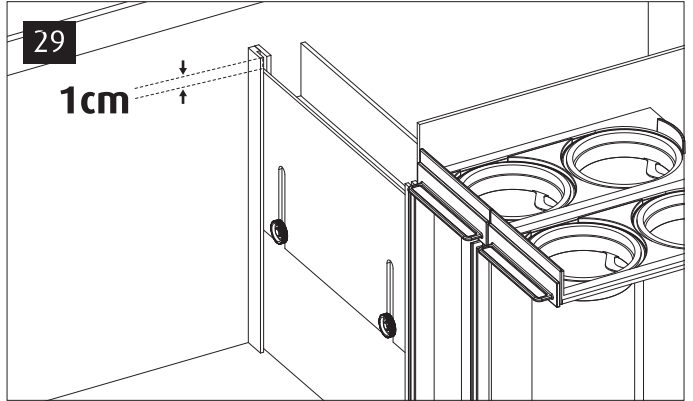
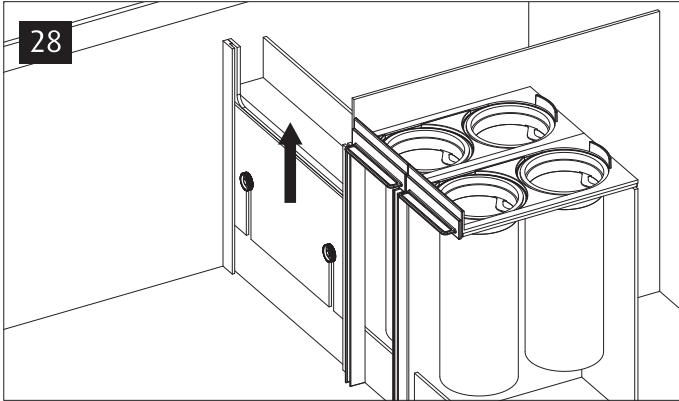
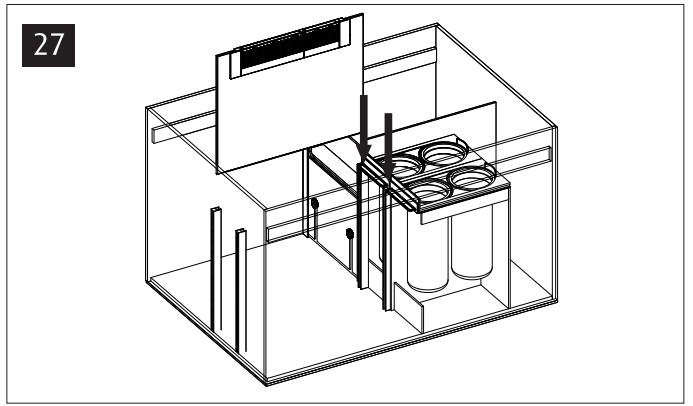
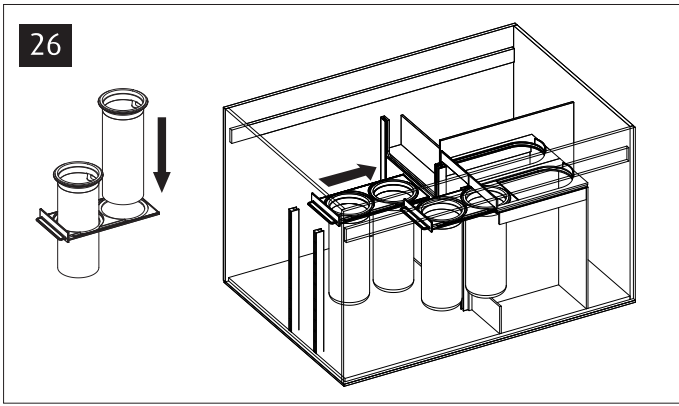
L2		4
L1		
N		57
M		56
P		56
Q		56
R		2
T		2
V1	ST4x16	24
V2	ST3.5x14	4
V3	ST5x35	13
V4	ST5x60	2
W		12
Y32		2
Y25		1
ZP		16
ZW		
ZB		

XL425	Black	White	Part Description
A1	6617A-B	6617A-B	Cabinet Bottom sump
A2	6618A-B	6618A-B	Cabinet Bottom Chiller
B1	6628A-B	6628A-B	Cabinet Rear Middle
B2	6629A-B	6629A-B	Cabinet Rear Top
B3	6619A-B	6619A-B	Cabinet Rear Bottom
B4	6620B	6620B	Cabinet Rear Base support
B5	7428A-B	7428A-B	Cabinet Side Top support
C	6616A-B	6616A-B	Cabinet Top
D	5275B	5275W	Cabinet Door
E	6630	6630	Cabinet Front Upper
F	6624A-B	6624A-WB	Cabinet Side Left
G	6625A-B	6625A-WB	Cabinet Side Right
H1	6627A-B	6627A-B	Cabinet Socket Blk
H2	6627A-B	6627A-W	Cabinet Socket Wht
J	6626	6626	Cabinet Base Support
K	6623A-B	6623A-B	Cabinet Internal Wall

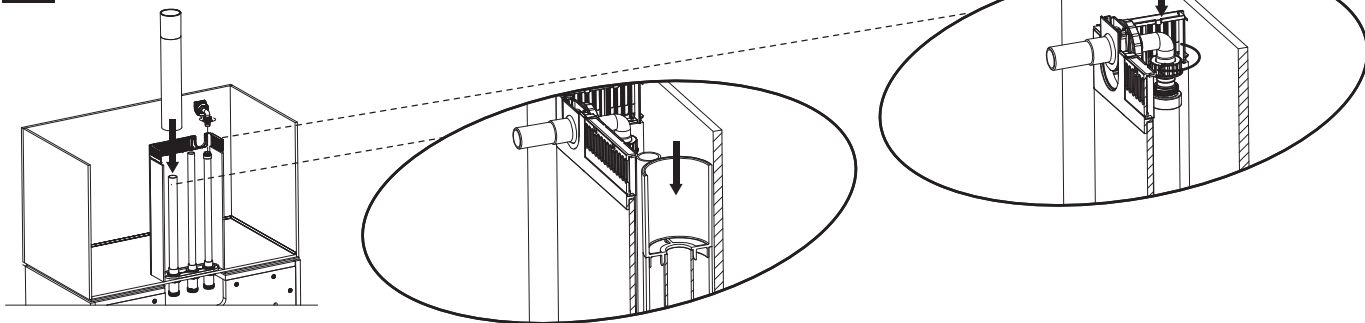




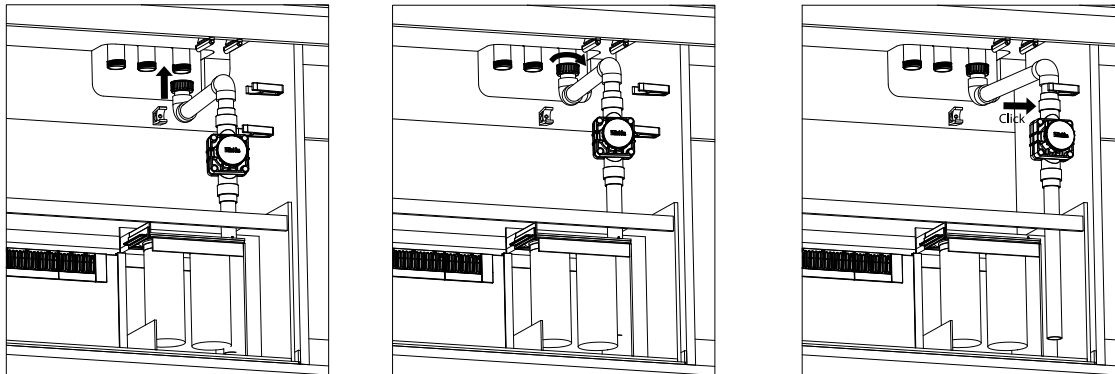




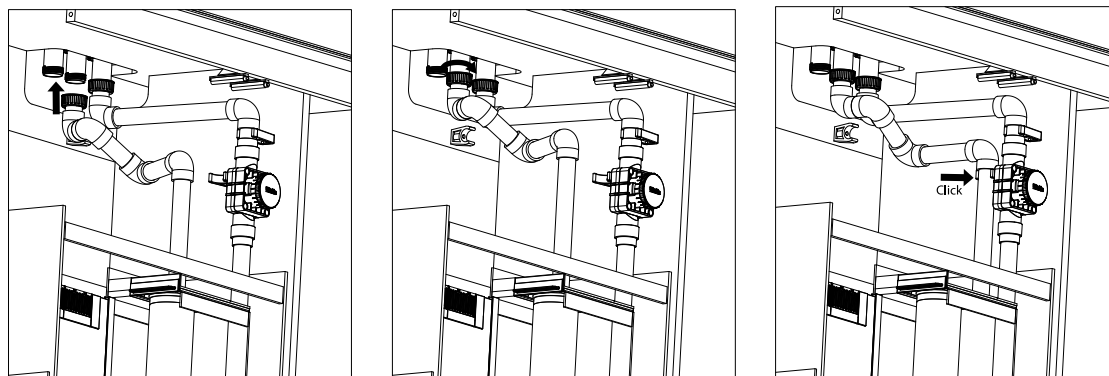
34



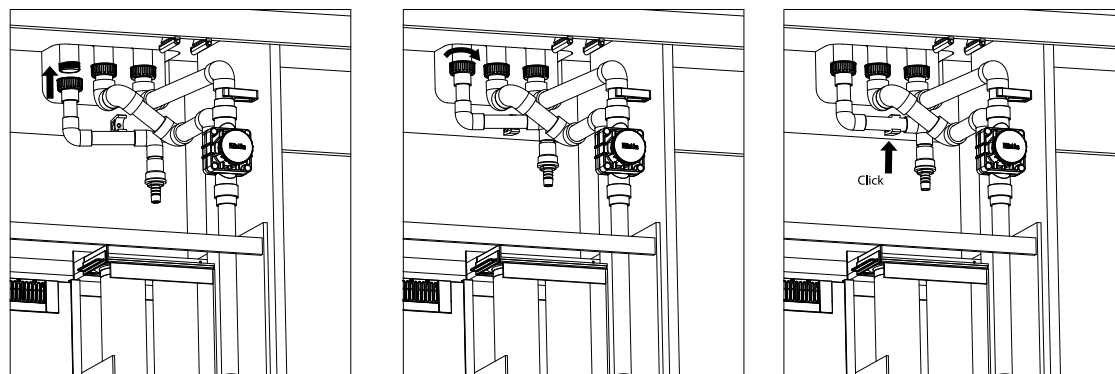
35



36

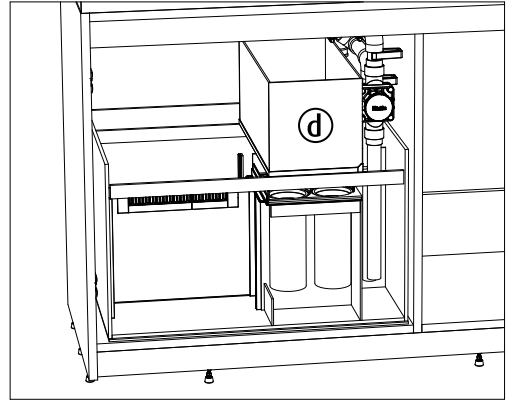
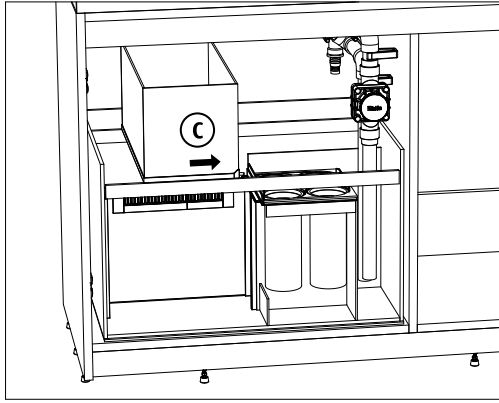
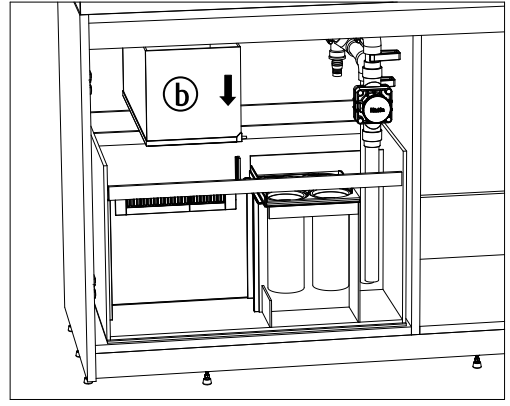
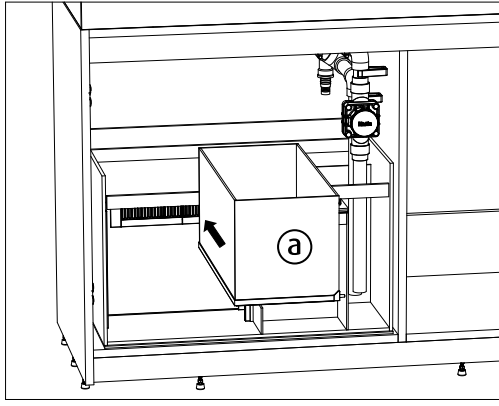


37

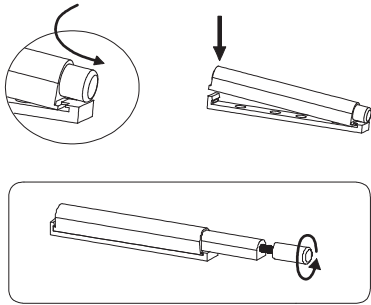
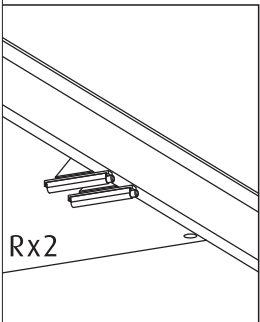




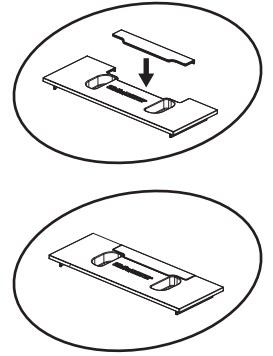
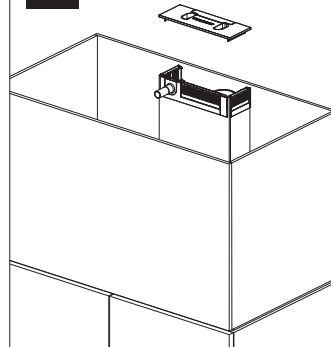
38



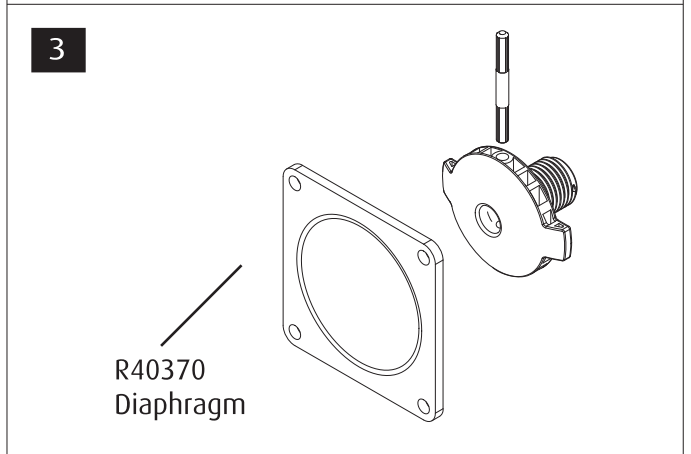
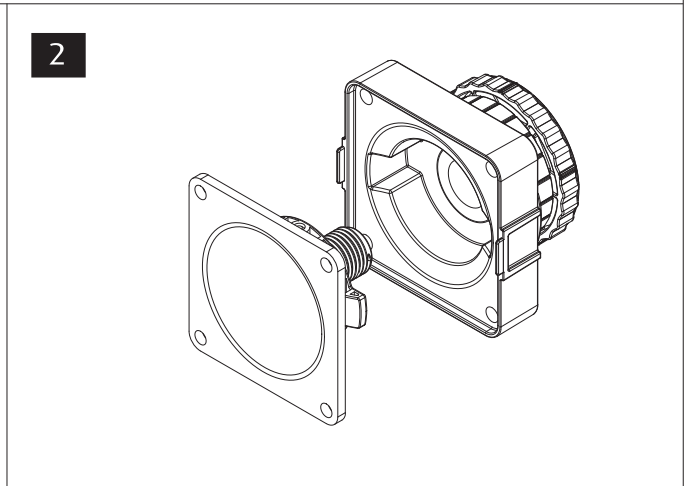
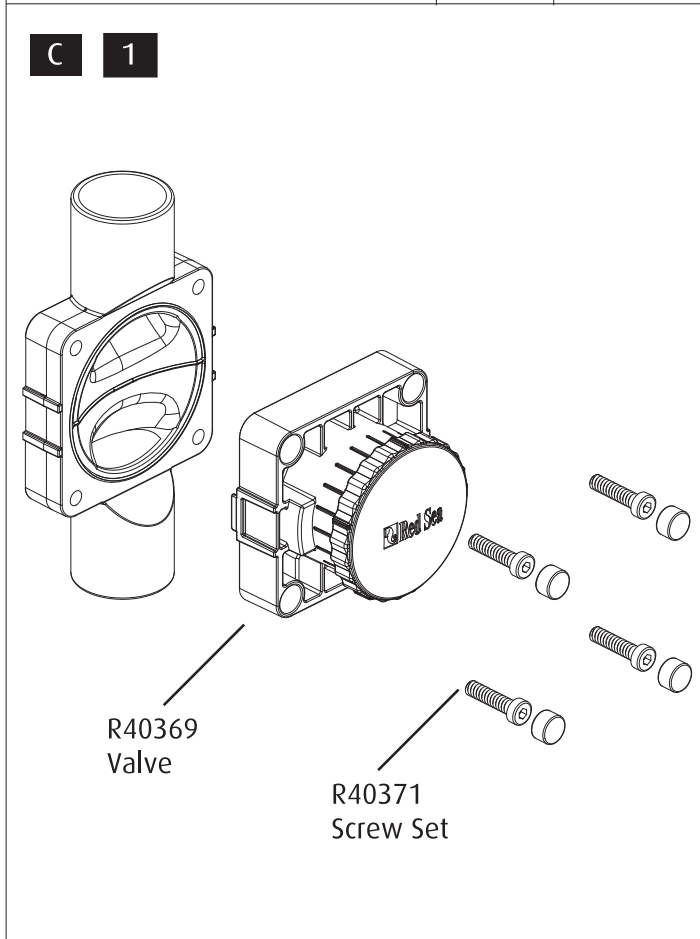
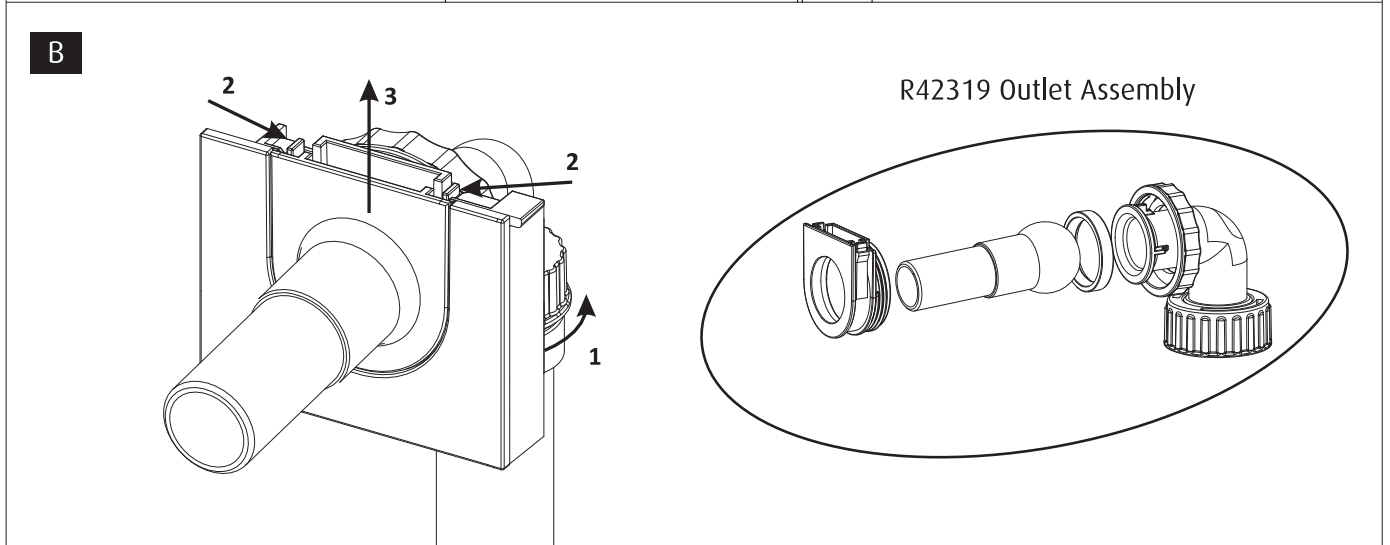
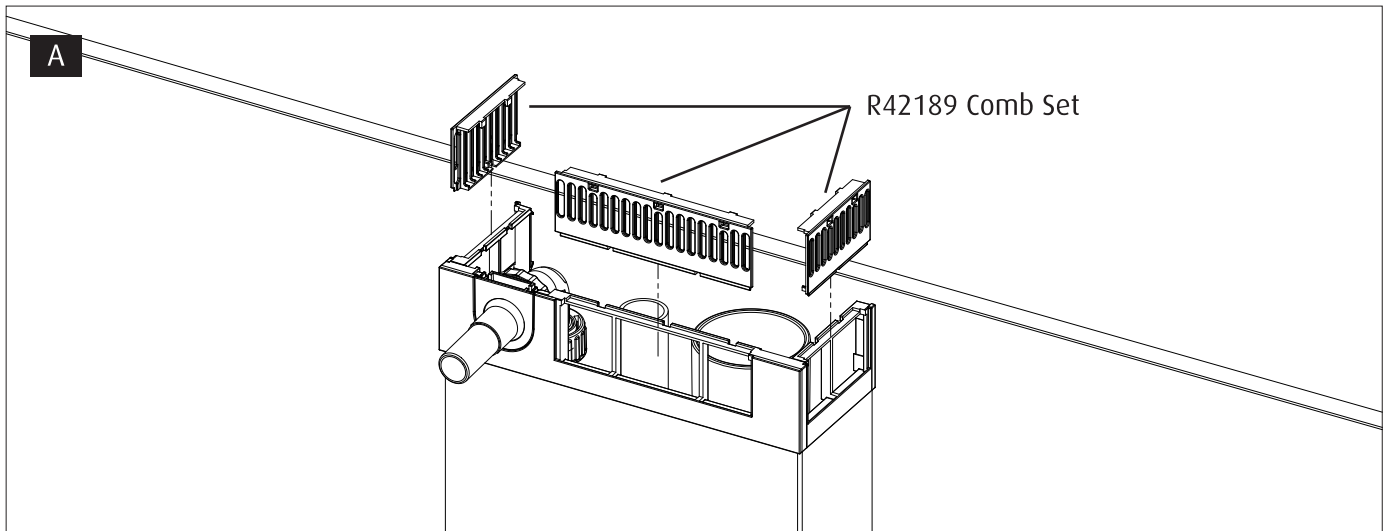
39



40



# MAINTENANCE



*Europe*

**Red Sea Europe**  
655 Rue des Frères Lumière  
27130 Verneuil d'Avre et d'Iton,  
France  
[support.fr@redseafish.com](mailto:support.fr@redseafish.com)

*UK & Ireland*

**Red Sea Aquatics (UK) Ltd**  
PO Box 1237  
Cheddar, BS279AG  
[uk.info@redseafish.com](mailto:uk.info@redseafish.com)

*North America*

**Red Sea U.S.A & Canada**  
4687 World Houston  
Parkway #150  
Houston, TX 77032, U.S.A  
[support.usa@redseafish.com](mailto:support.usa@redseafish.com)

*Germany & Austria*

**Red Sea Deutschland**  
Büro Deutschland  
Prinzenallee 7 (Prinzenpark)  
40549 Düsseldorf  
[support.de@redseafish.com](mailto:support.de@redseafish.com)

*China*

**Red Sea Aquatics (GZ) Ltd.**  
Block A3, No.33 Hongmian Road,  
Xinhua Industrial Park,  
Huadu District, Guangzhou City,  
China, Postal code 510800.  
Tel: +86-020-6625 3828  
[info.china@redseafish.com](mailto:info.china@redseafish.com)

  
**Red Sea**  
[www.redseafish.com](http://www.redseafish.com)