

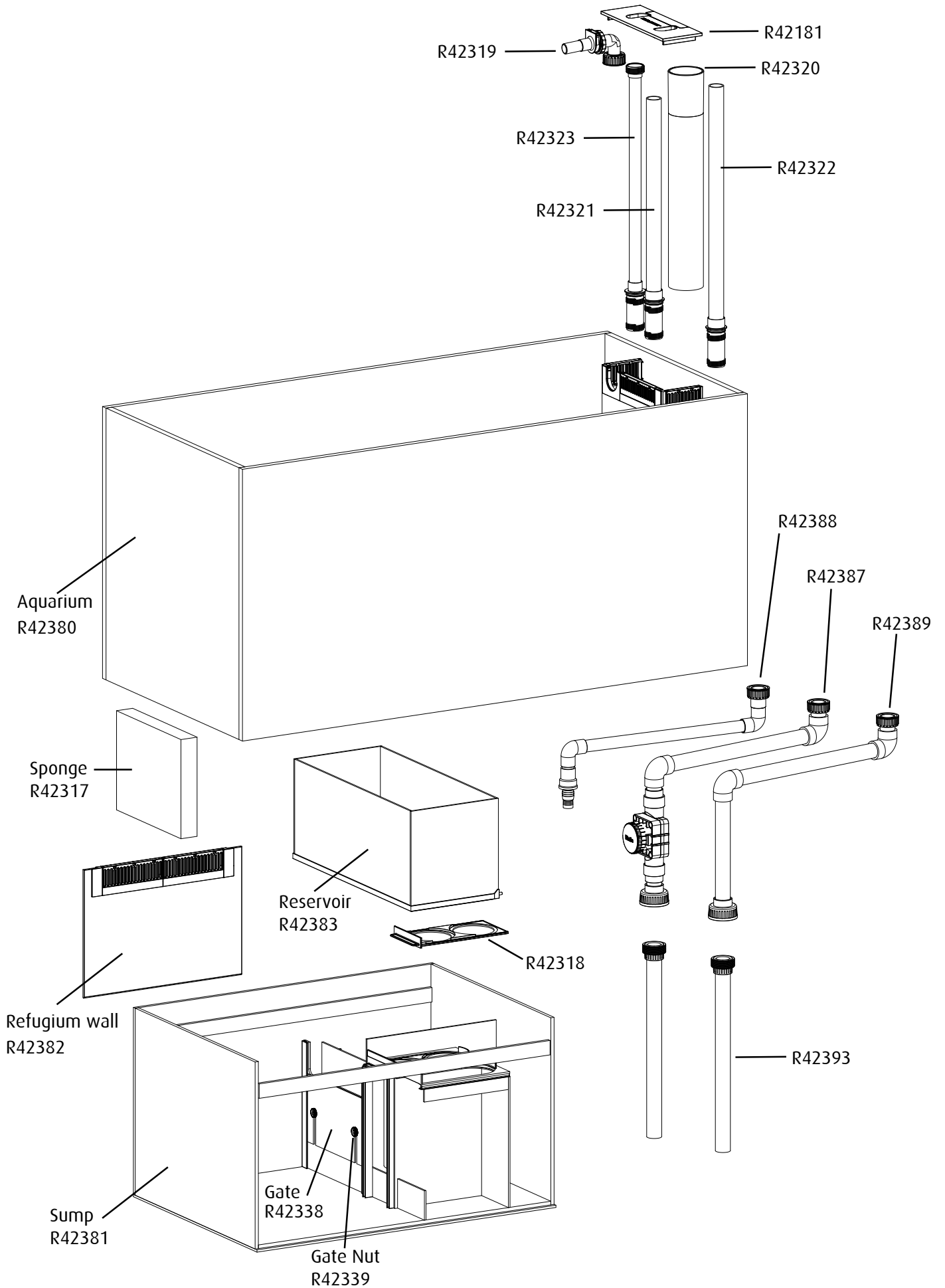
# **Red Sea REEFER™**

Peninsula 500

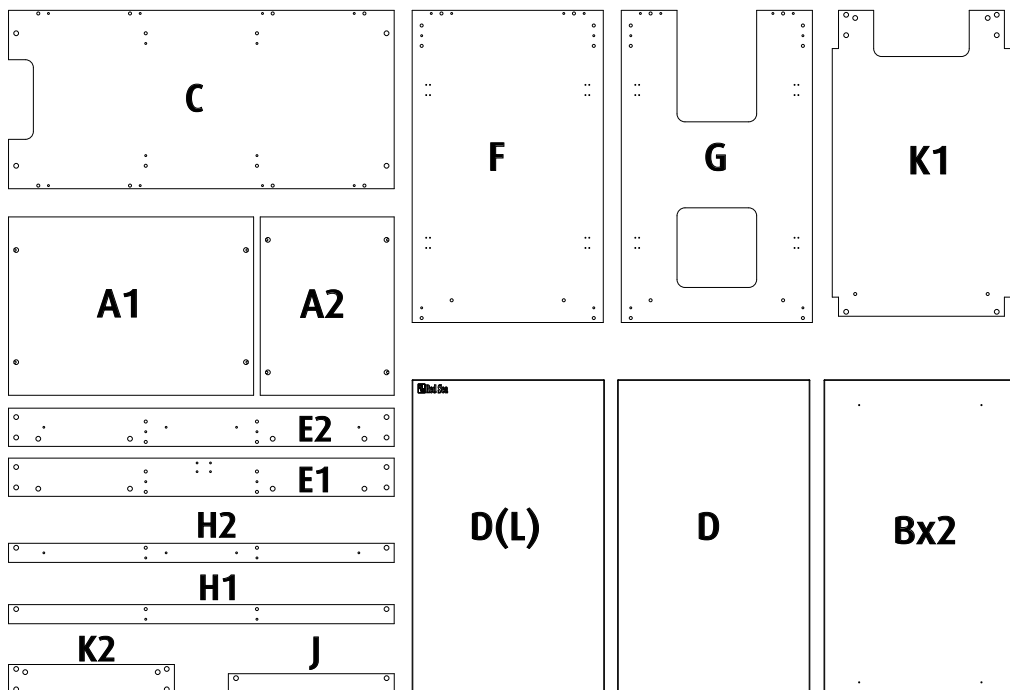
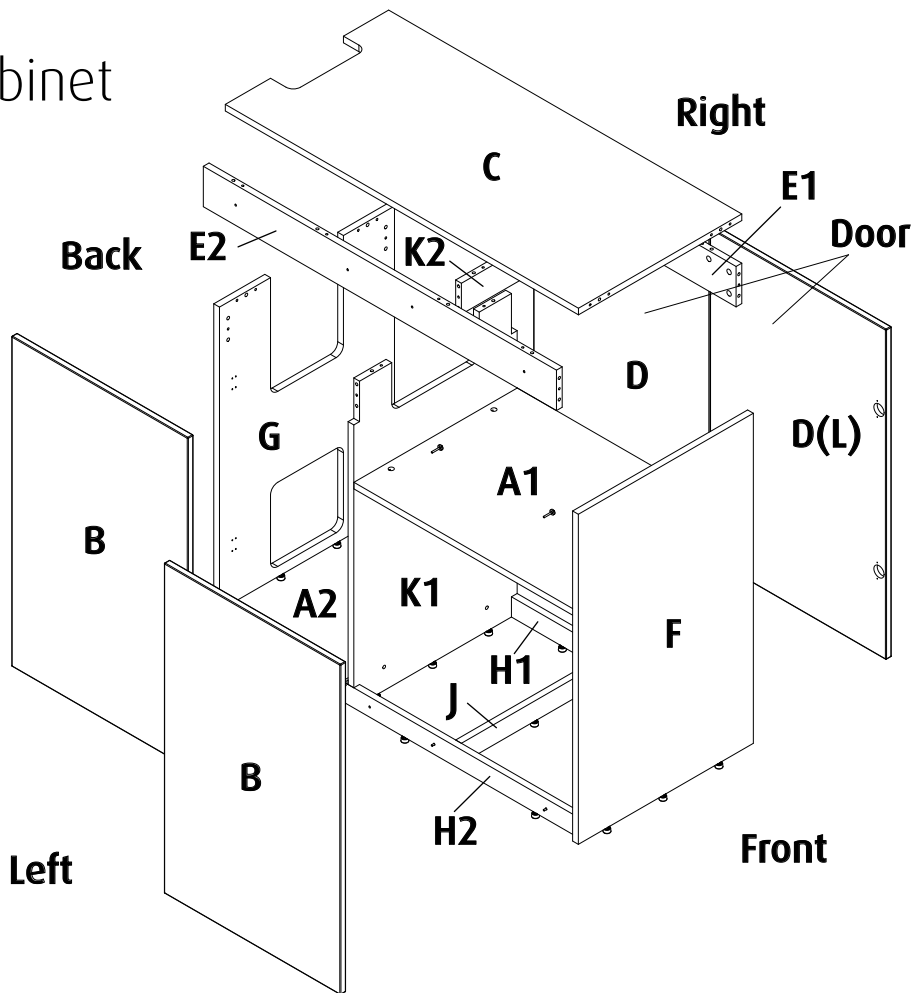
---

Aquarium & Cabinet Assembly Manual

# Aquarium Water Management System



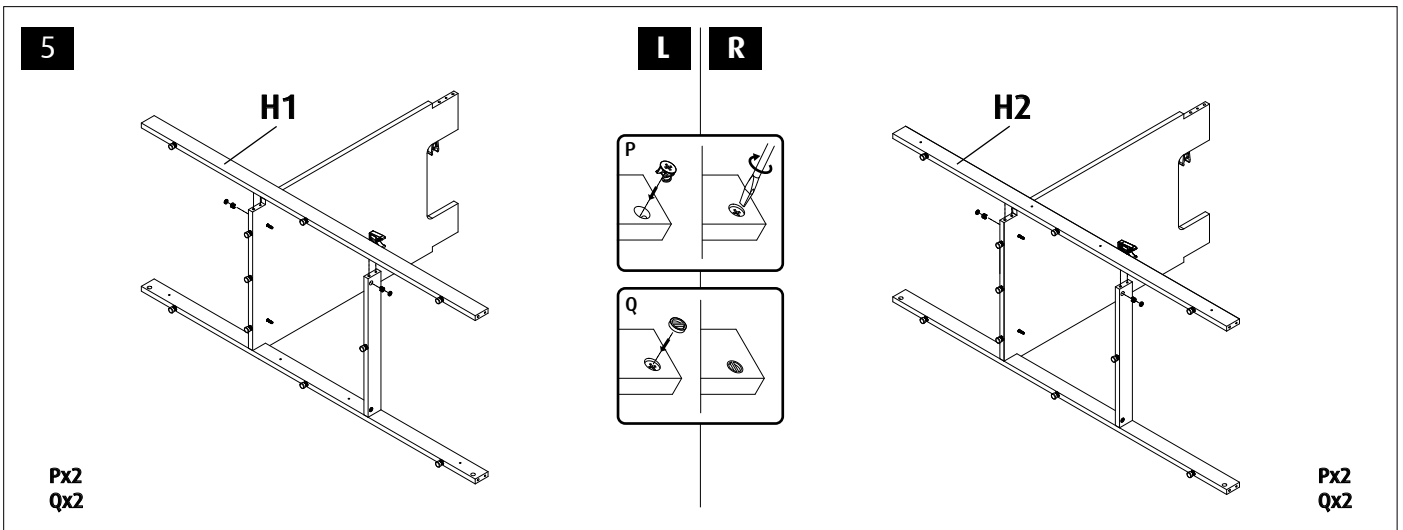
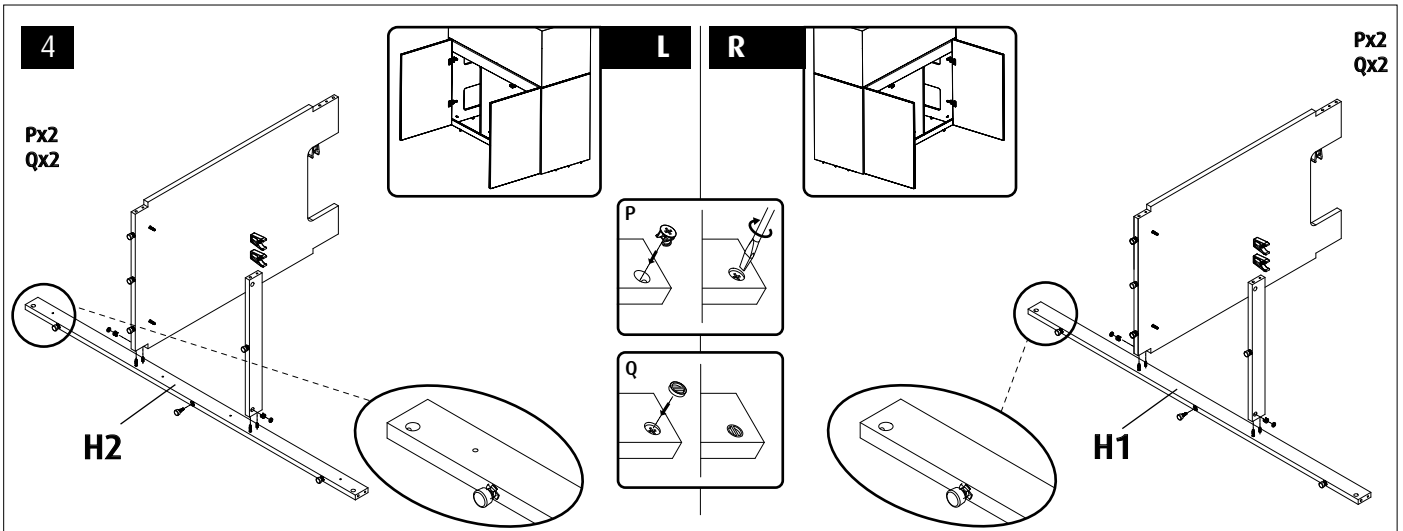
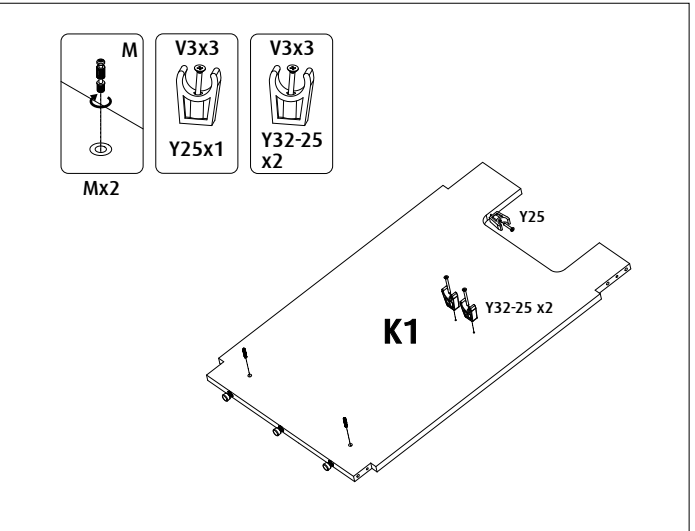
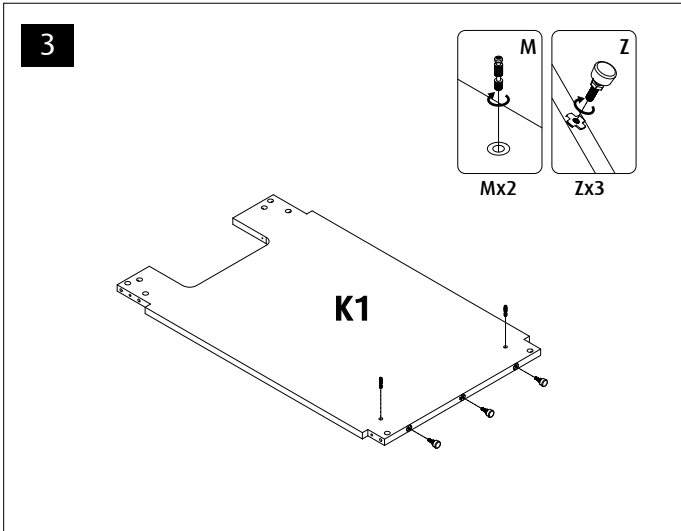
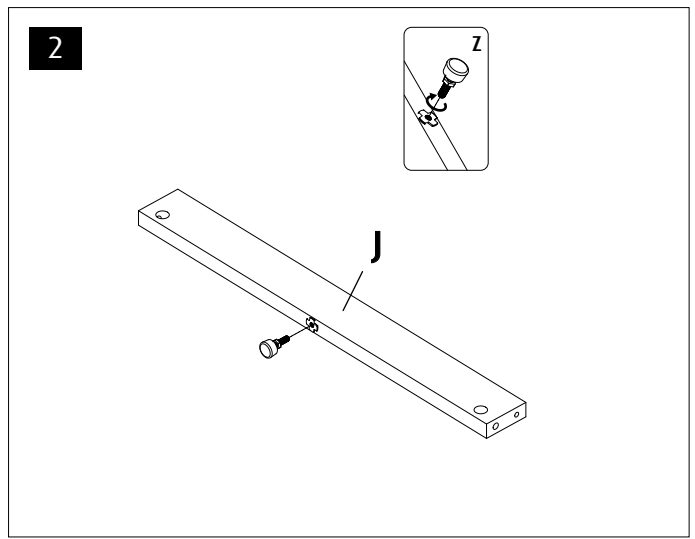
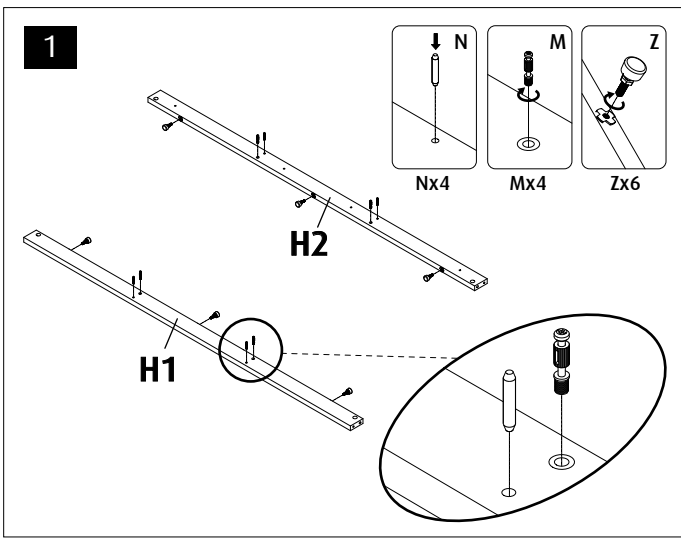
# Cabinet

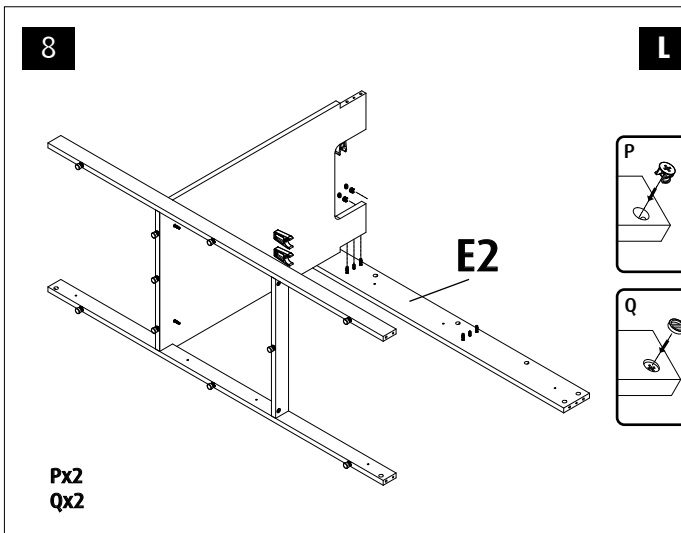
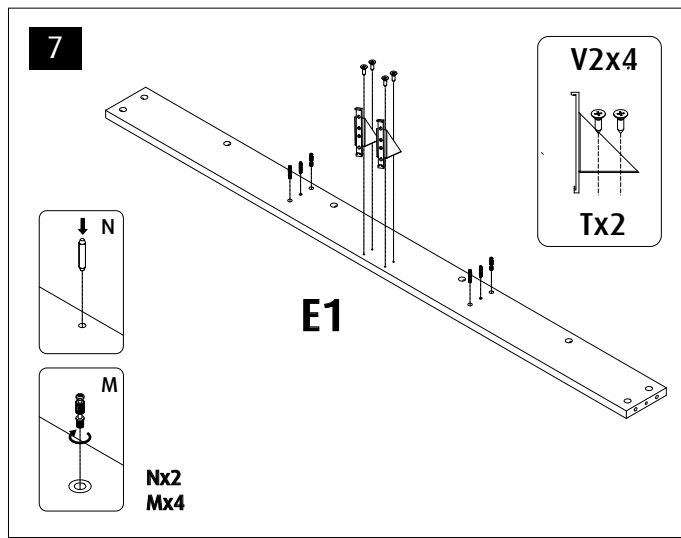
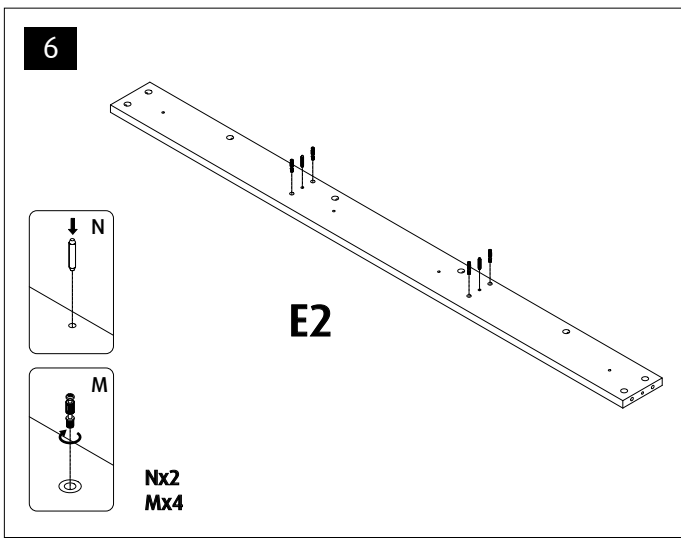


L3		4
L1		
N		36
M		48
P		48
Q		48
S		2
T		2
V1	ST4x16	24
V2	ST3.5x14	4
V3	ST5x35	11
W		8
Y32-25		2
Y25		1
Z		16

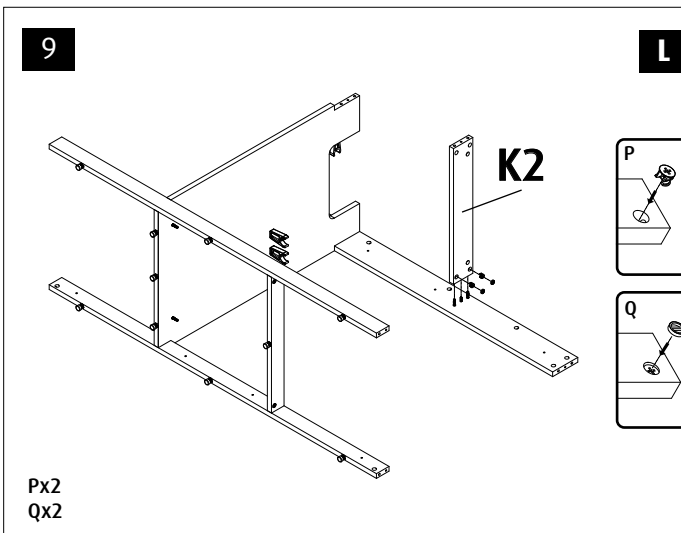
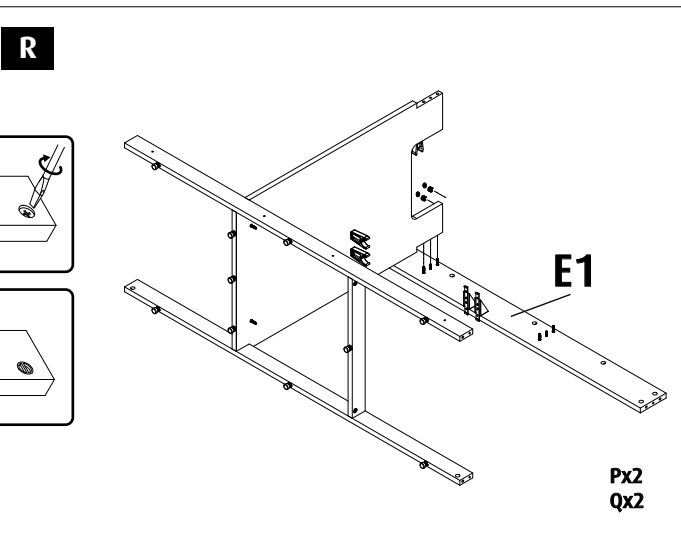
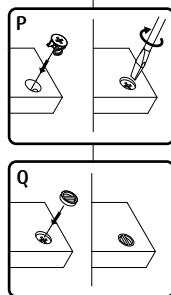
	P500	Part Description
A1	6501B	Cabinet Bottom Sump
A2	6502B	Cabinet Bottom Chiller
B - Black	R42403	Cabinet Side Panel - Black
B - White	R42404	Cabinet Side Panel - White
C	6500B	Cabinet Top
D - Black	R42401	Cabinet Door - Black
D - White	R42402	Cabinet Door - White
E1	6506B	Cabinet Front Upper - Door Side

	P500	Part Description
E2	6506B-1	Cabinet Front Upper - Panel Side
F	6431-B/W	Cabinet Front - Black/White
G	6430-B/W	Cabinet Rear - Black/White
H1	6507B	Cabinet Front Lower - Door Side
H2	6508B	Cabinet Front Lower - Panel Side
J	6504B	Cabinet Base Support
K1	6503B	Cabinet Internal Wall
K2	6505B	Cabinet Internal Support

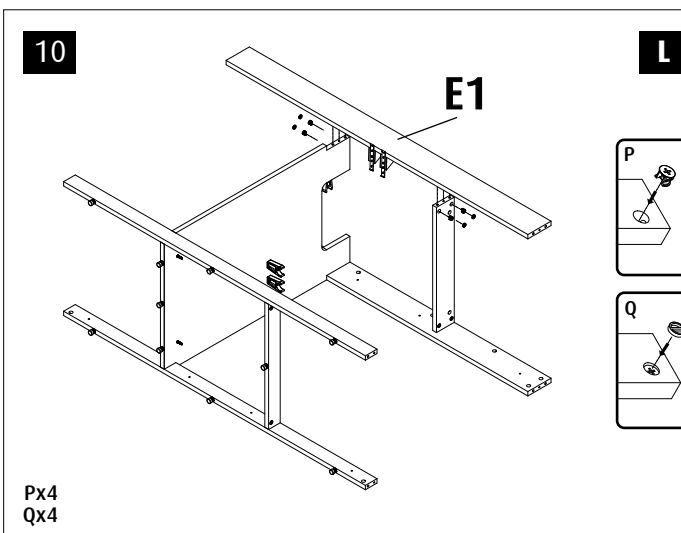
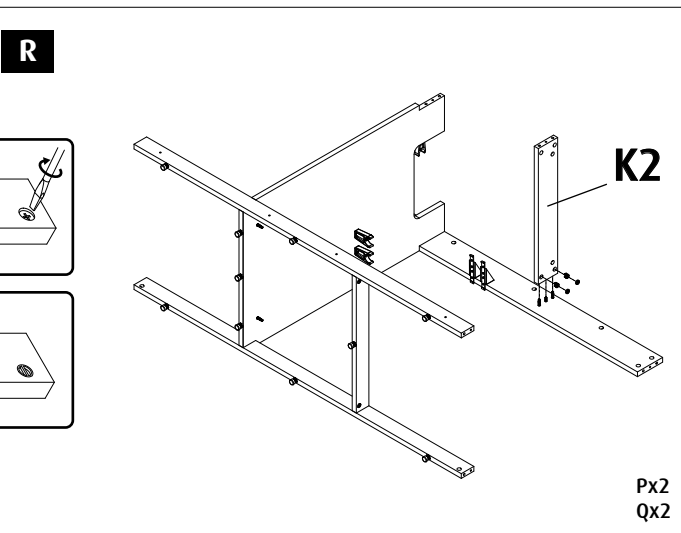
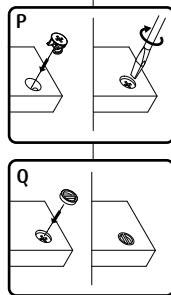




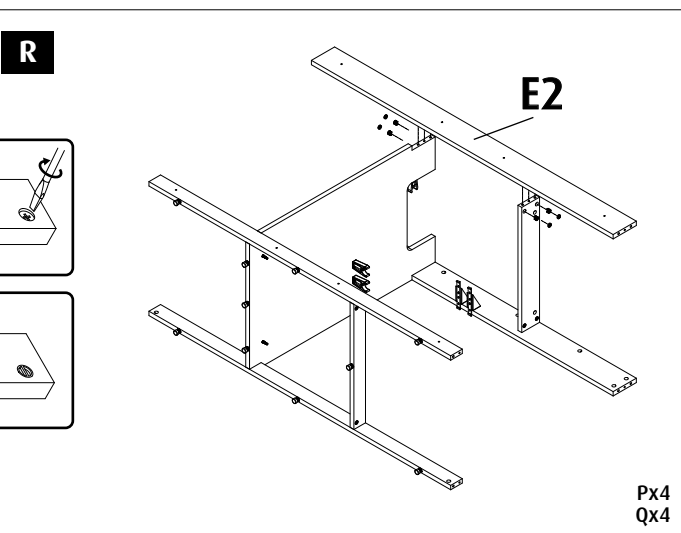
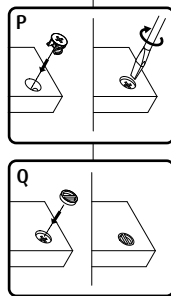
**L R**

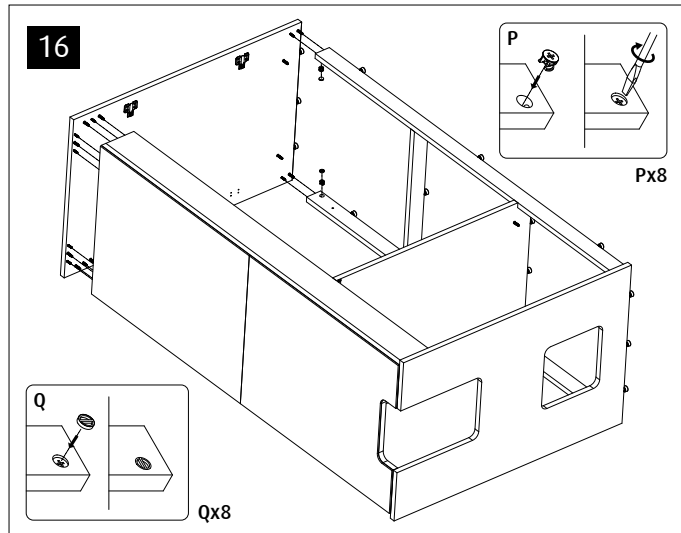
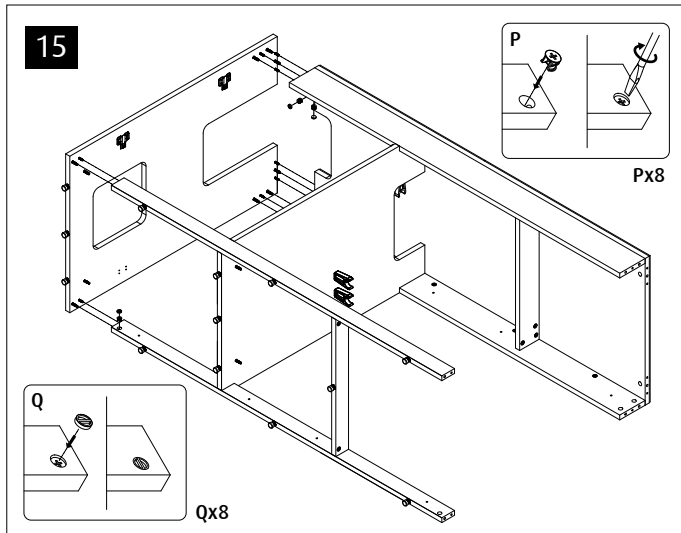
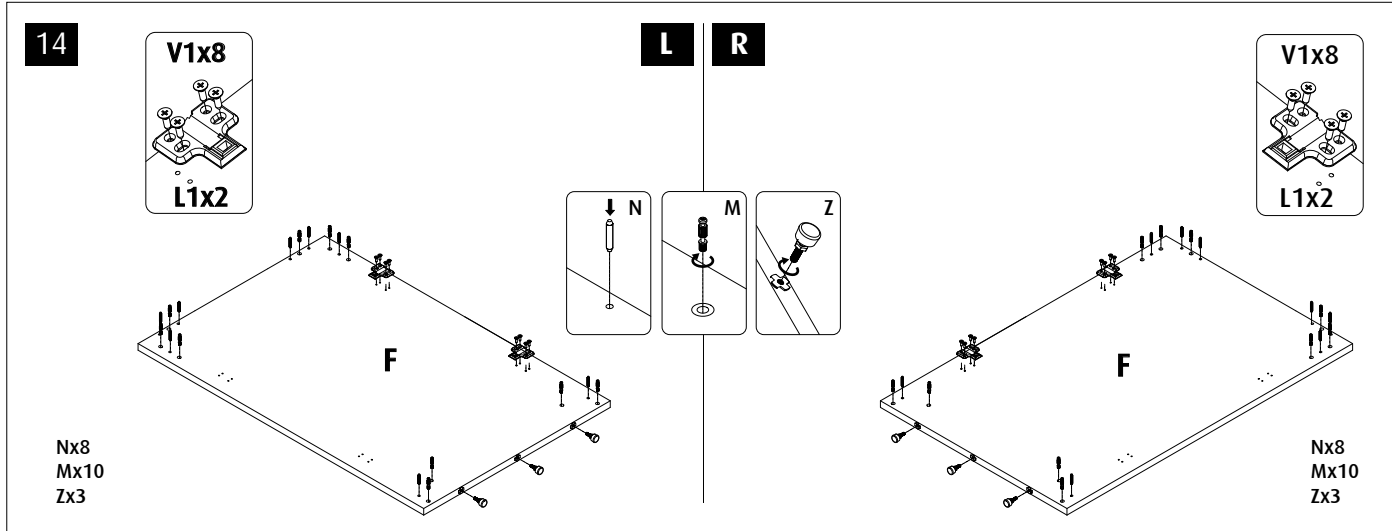
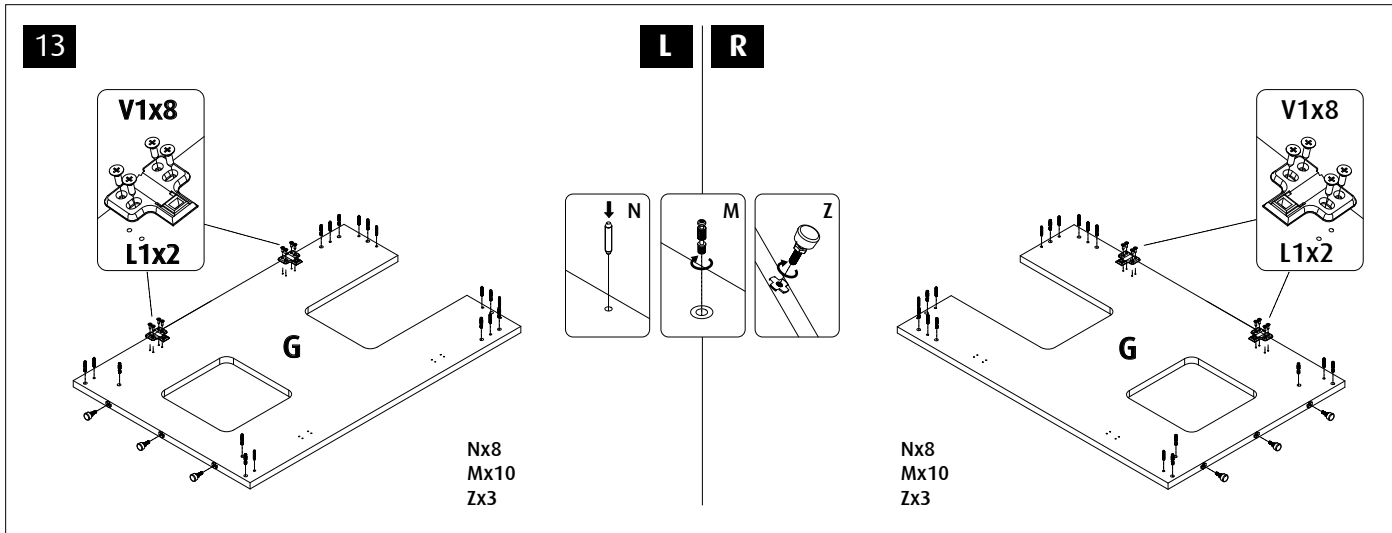
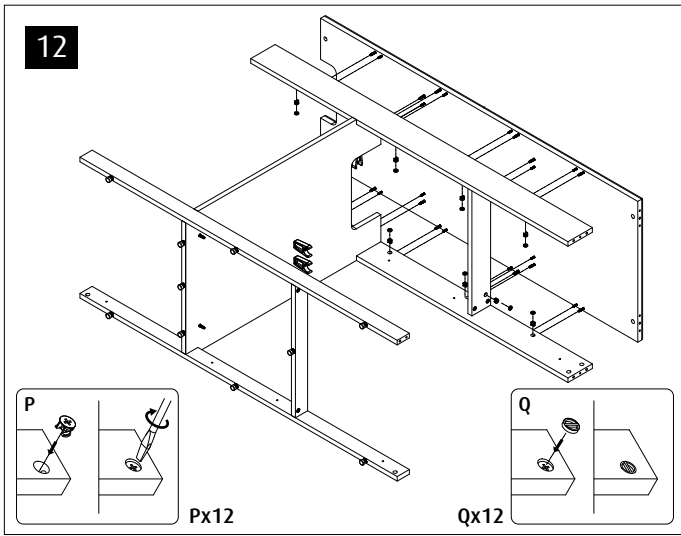
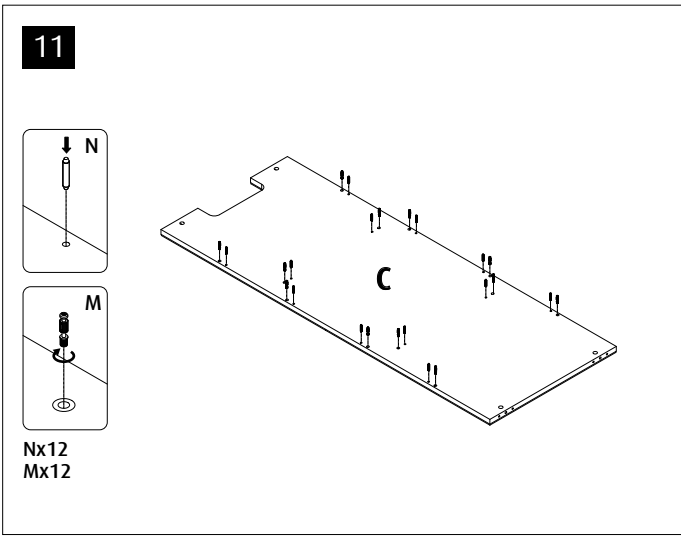


**L R**

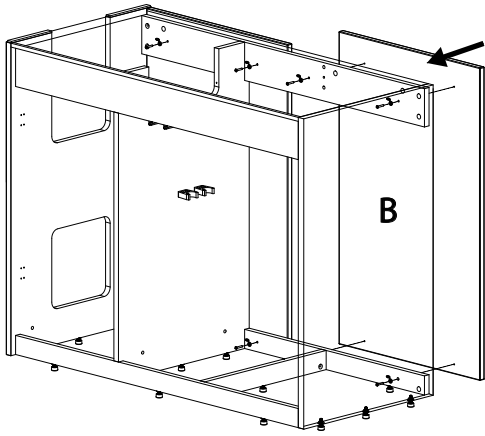


**L R**

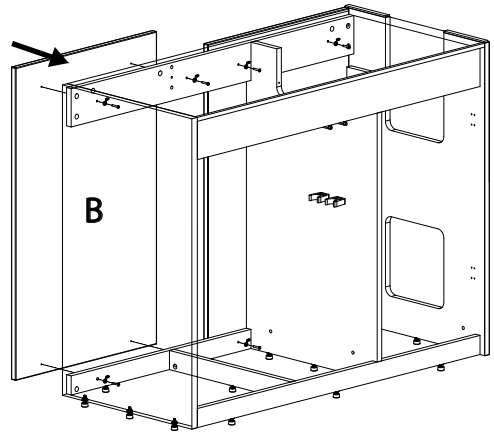
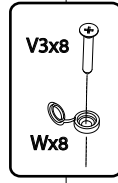




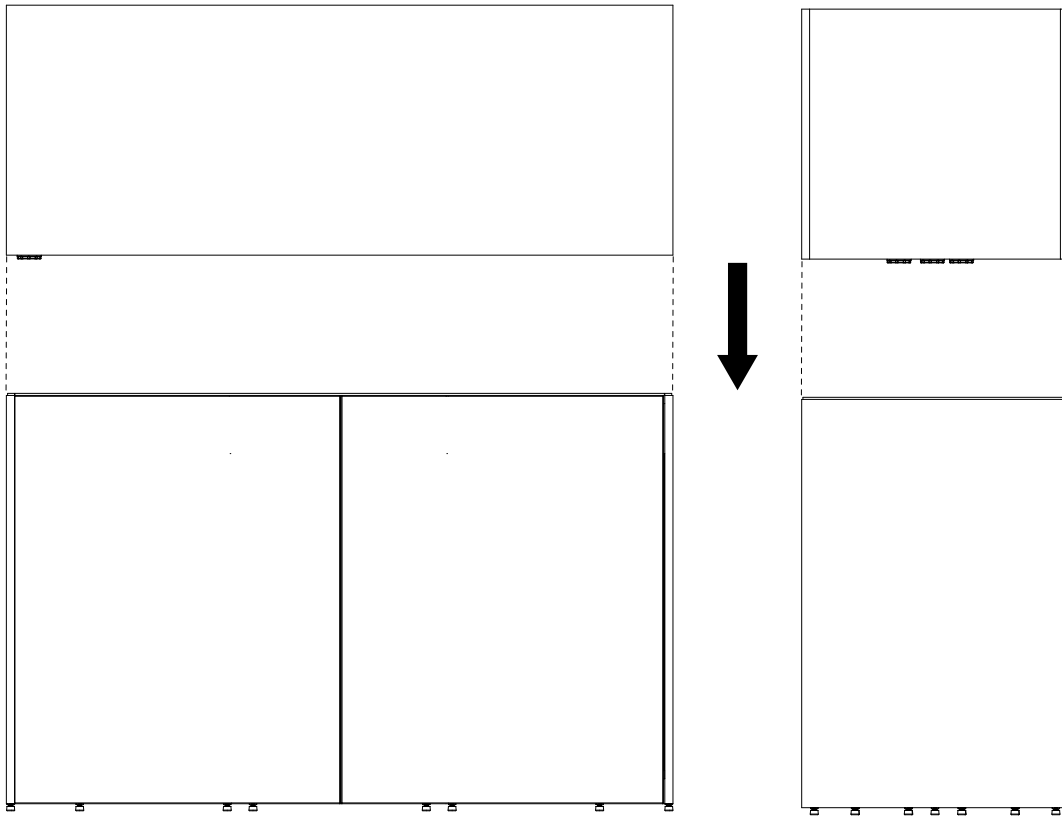
17



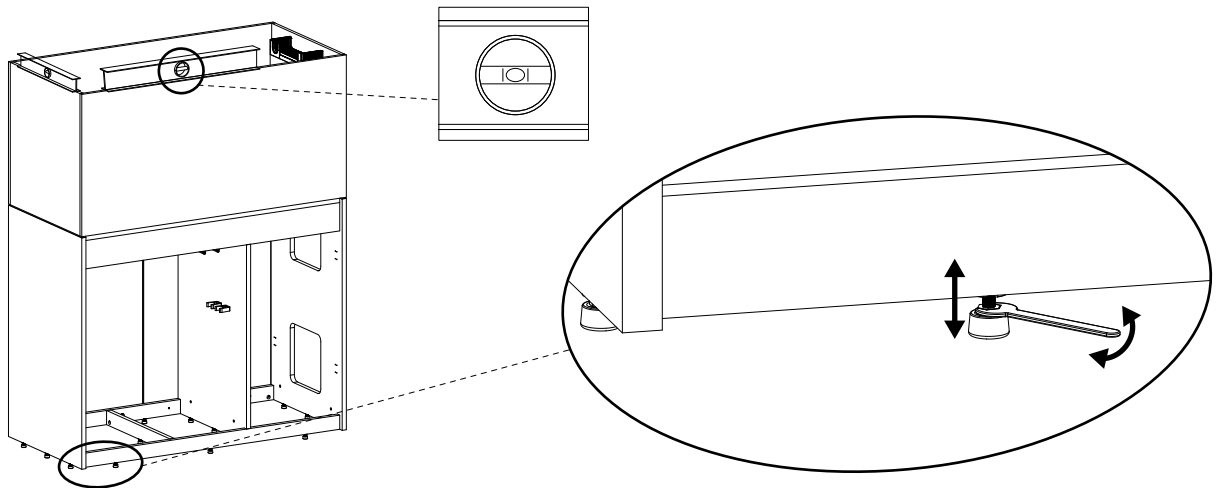
L R



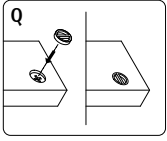
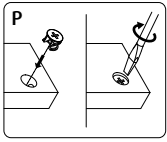
18



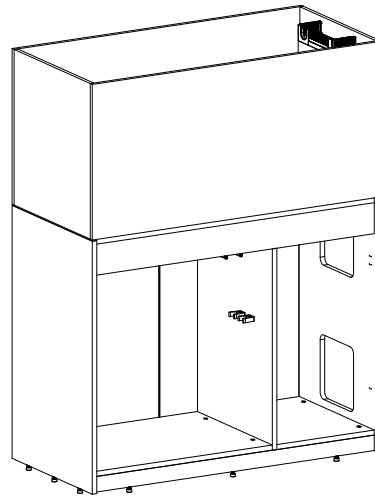
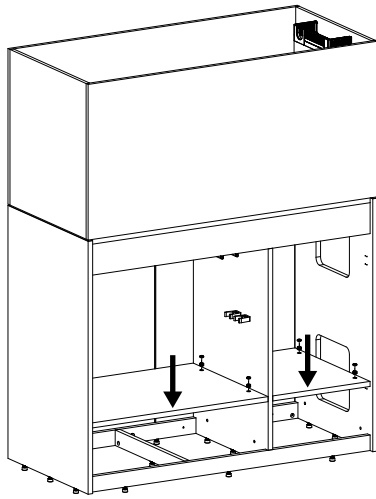
19



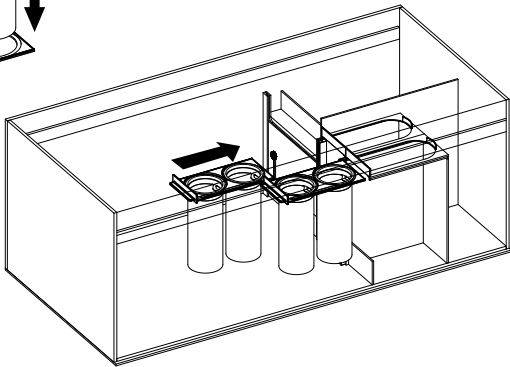
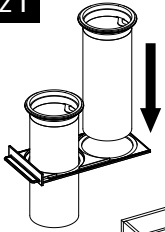
20



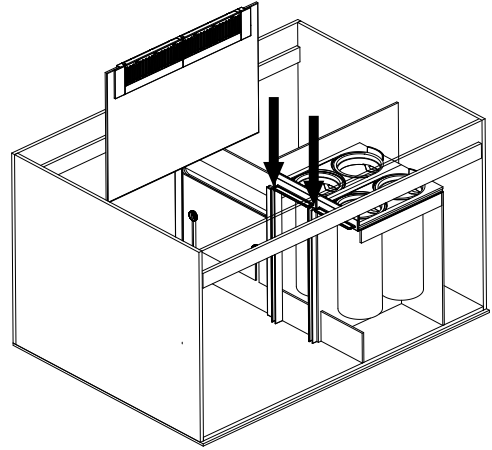
Px8  
Qx8



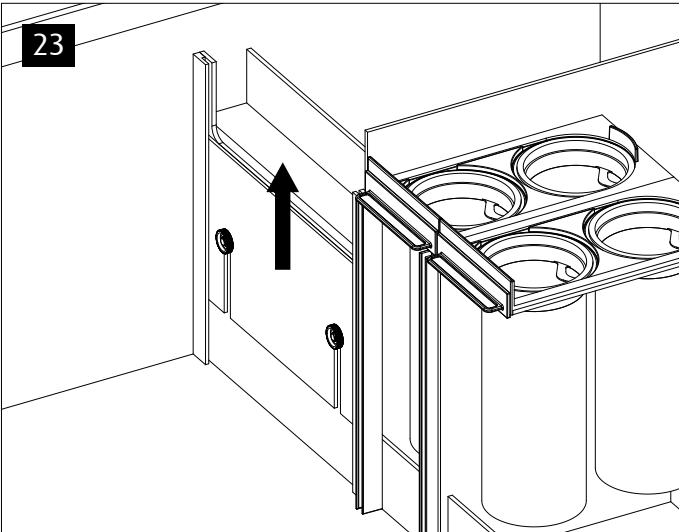
21



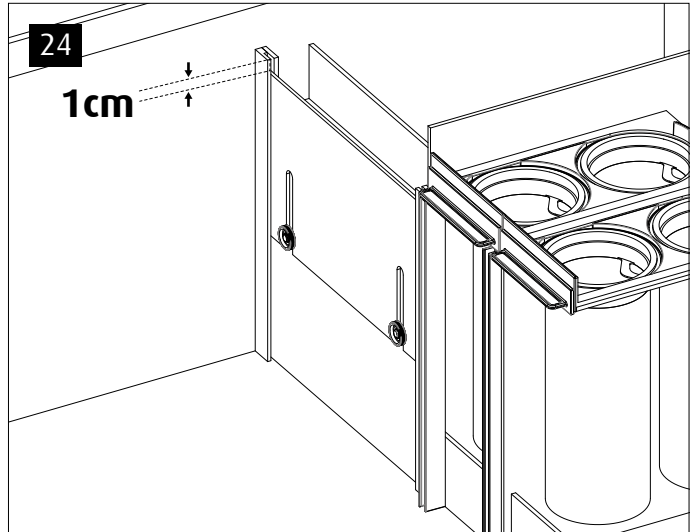
22



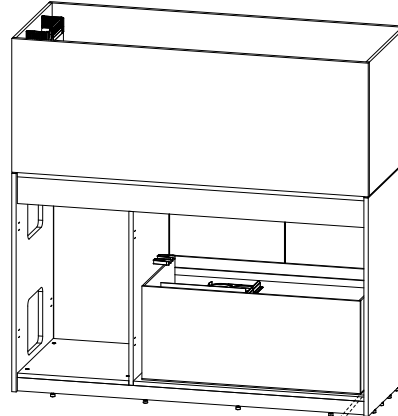
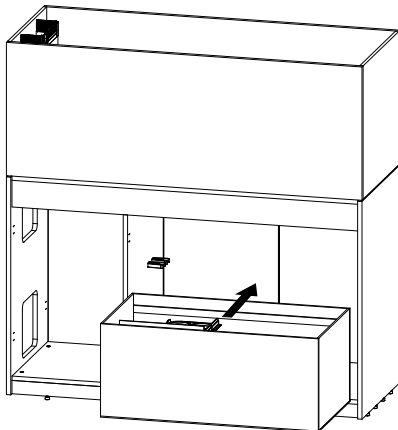
23



24

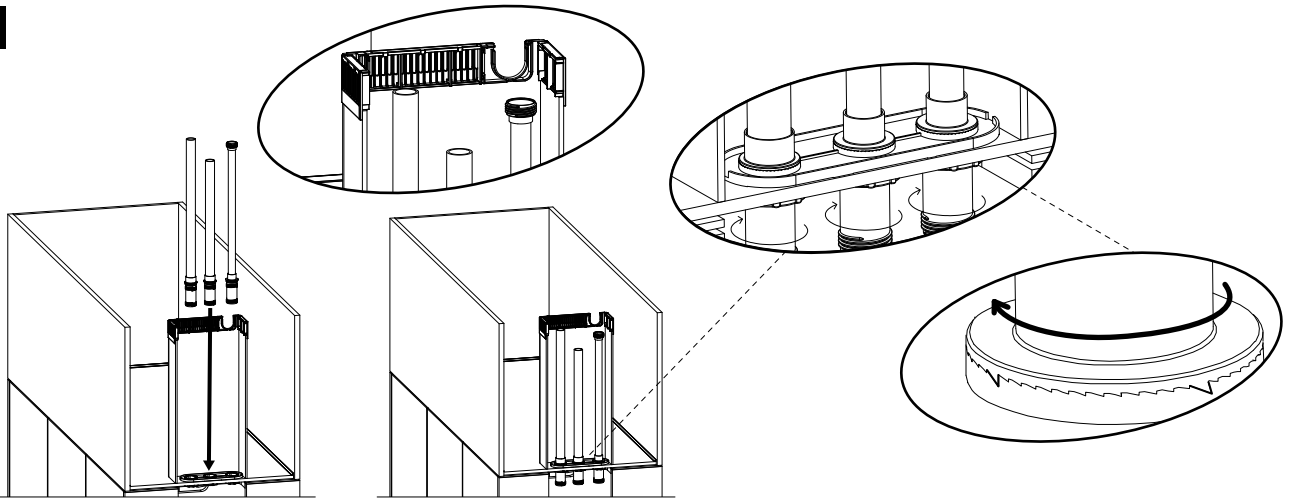


25

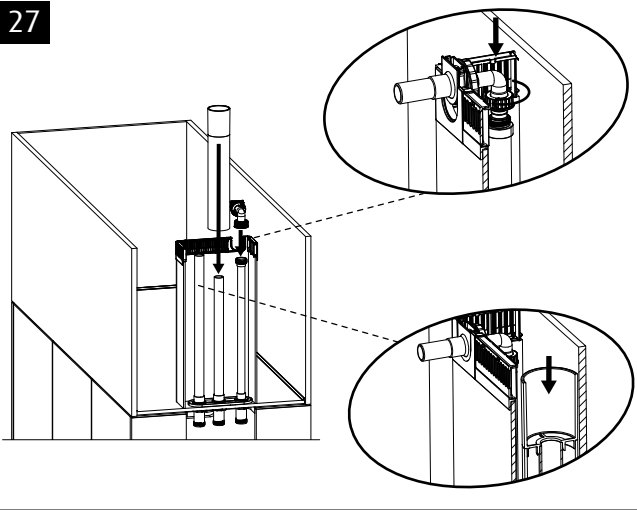




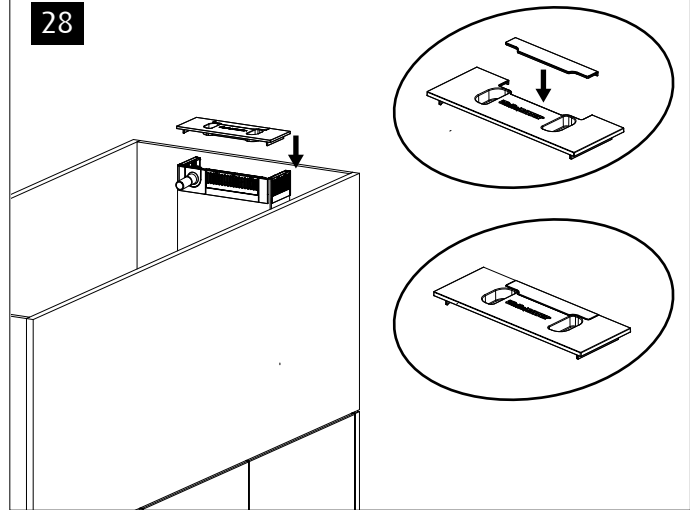
26



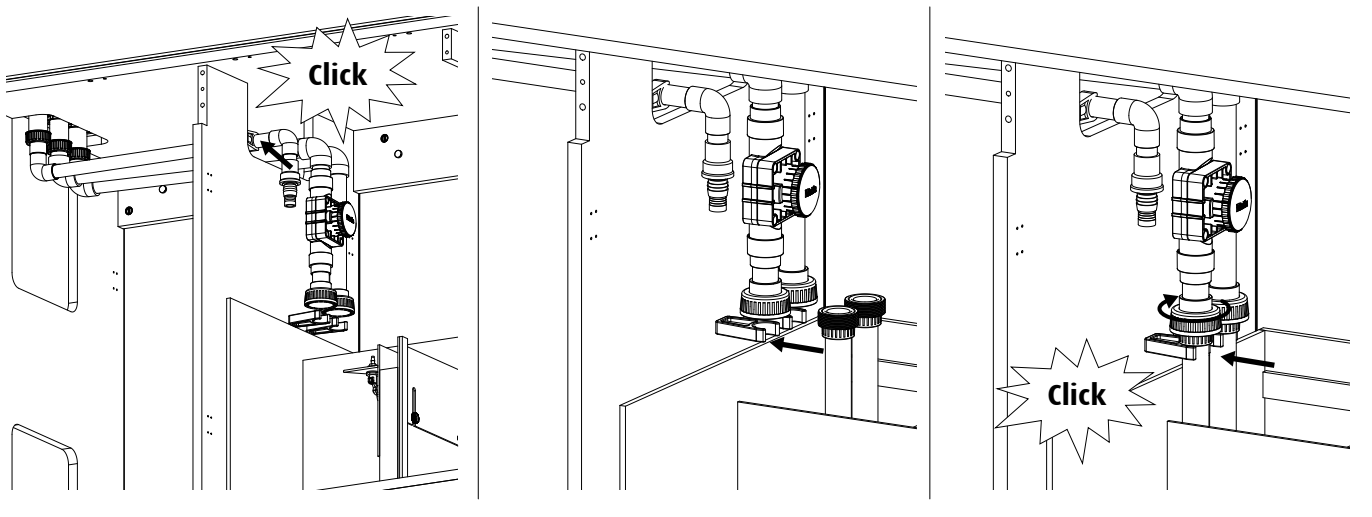
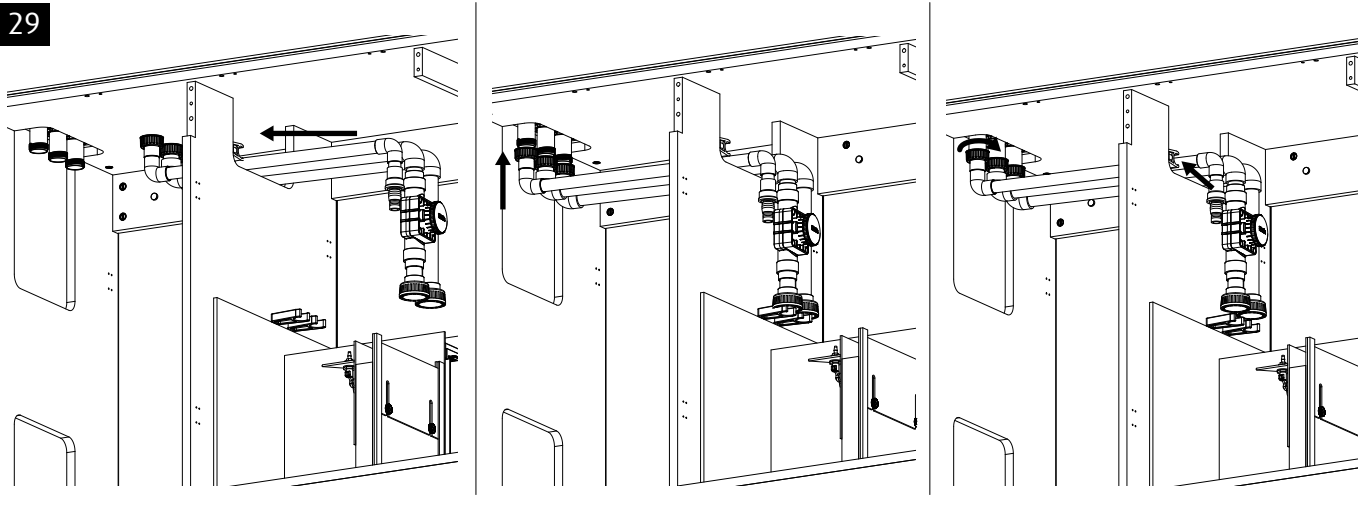
27



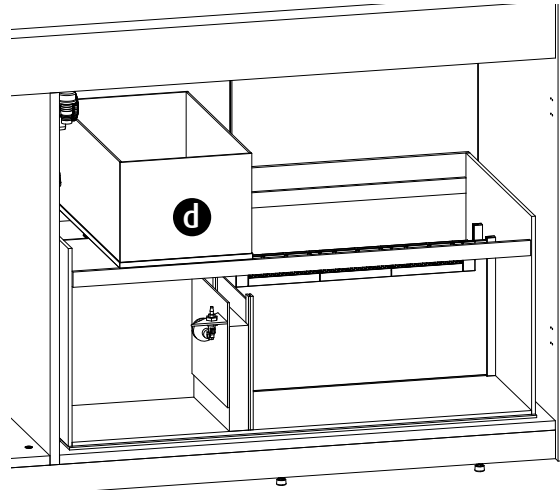
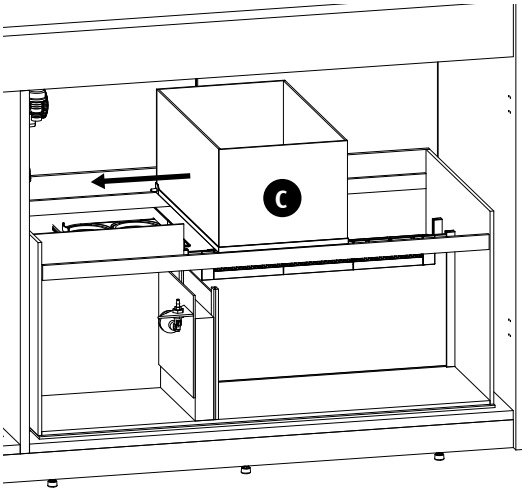
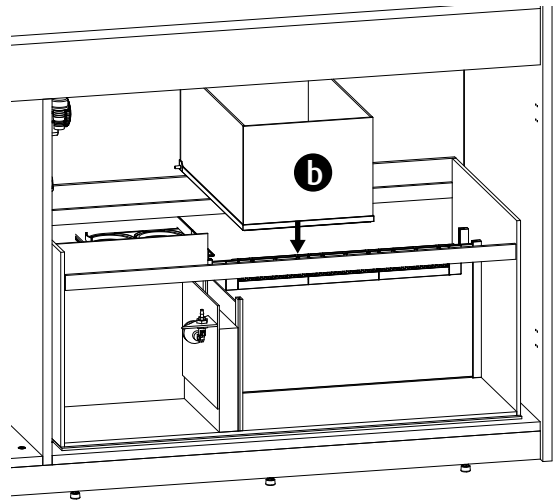
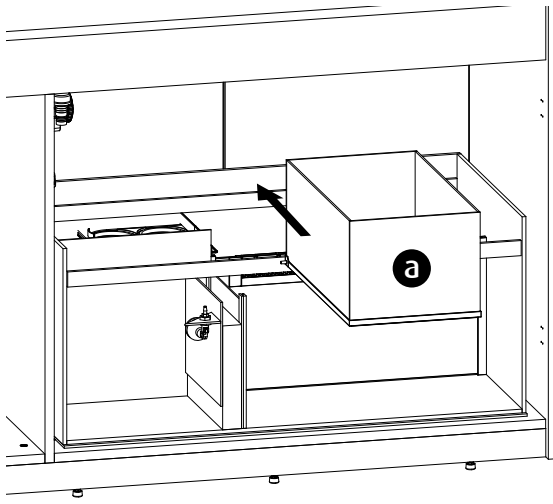
28



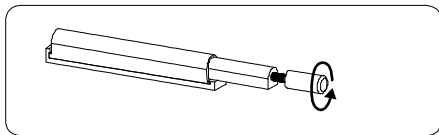
29



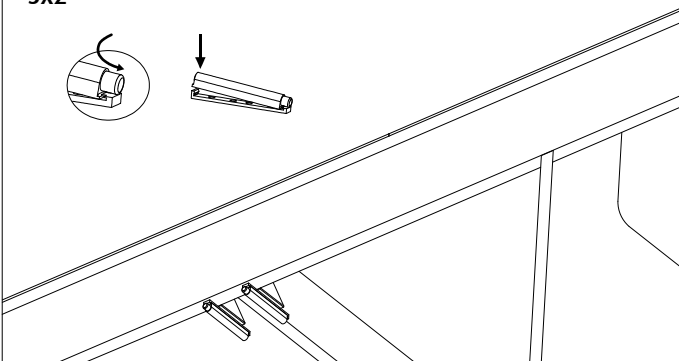
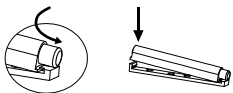
30



31

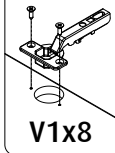


Sx2

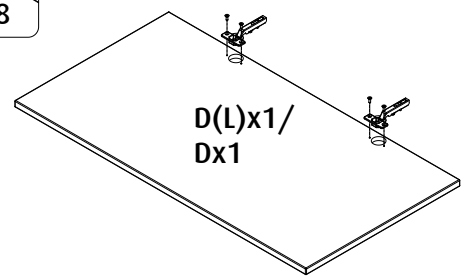


32

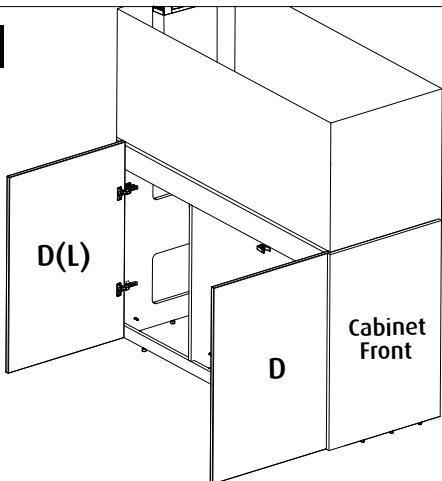
L3x4



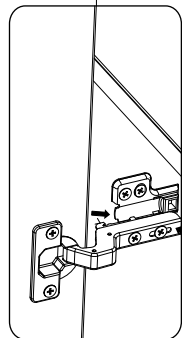
V1x8



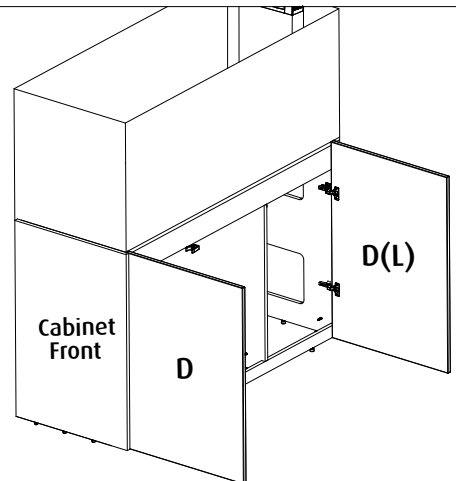
33



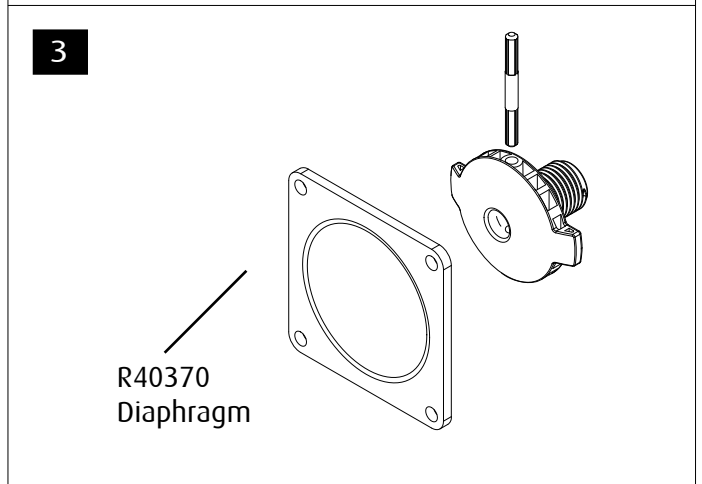
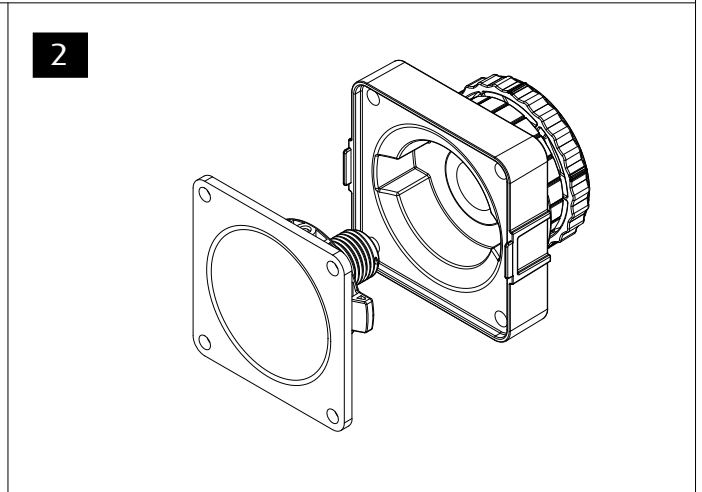
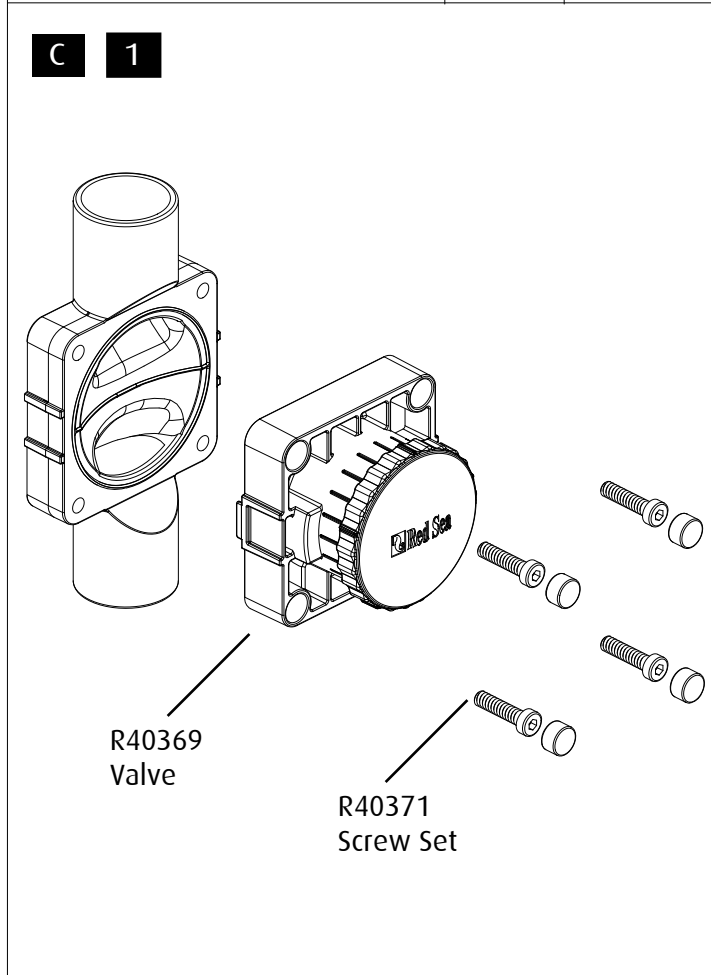
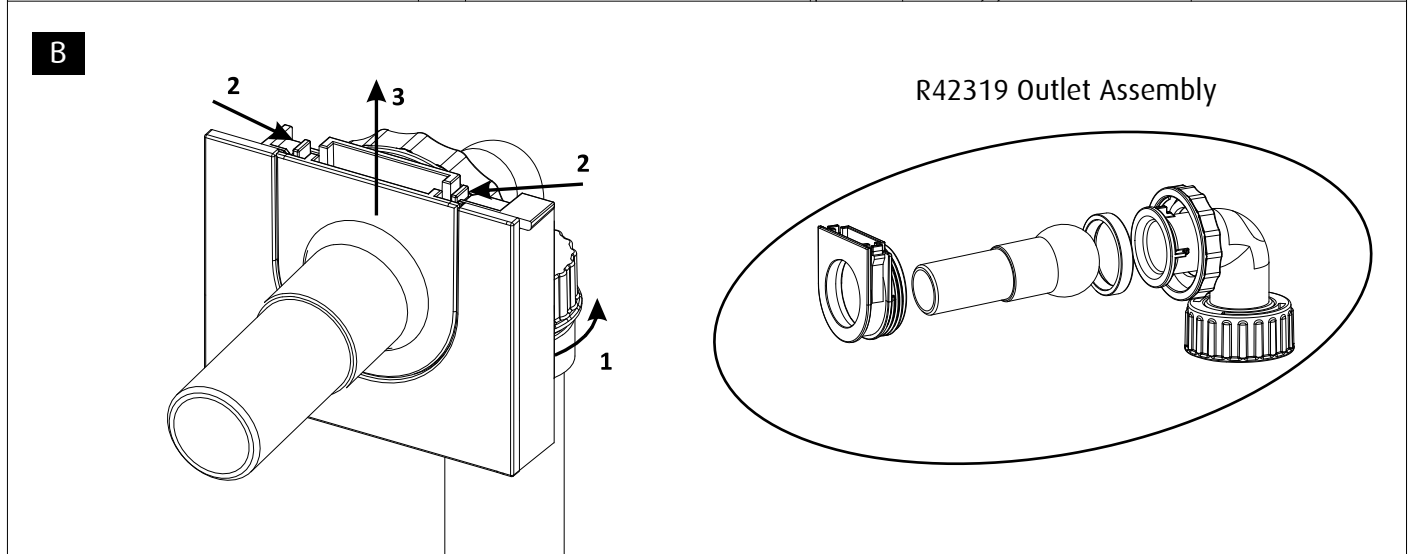
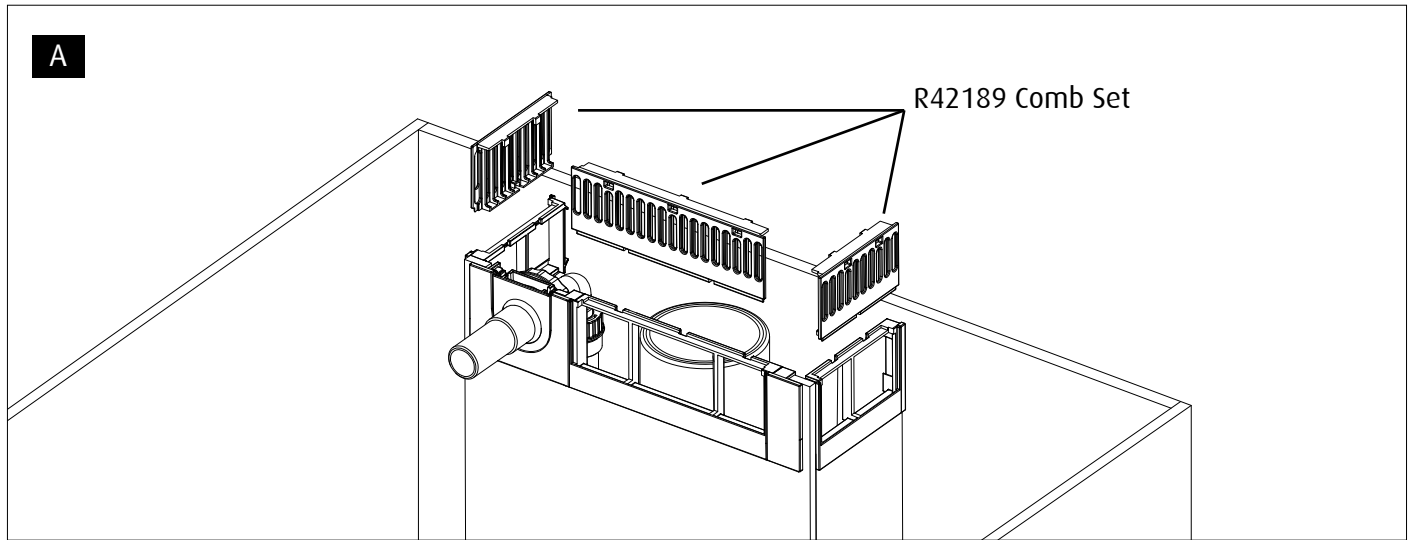
L R



Press and click on



# Maintenance



*Europe*

**Red Sea Europe**  
655 Rue des Frères Lumière  
27130 Verneuil d'Avre et d'Iton,  
France  
support.fr@redseafish.com

*UK & Ireland*

**Red Sea Aquatics (UK) Ltd**  
PO Box 1237  
Cheddar, BS279AG  
uk.info@redseafish.com

*North America*

**Red Sea U.S.A & Canada**  
4687 World Houston Parkway  
#150  
Houston, TX 77032, U.S.A  
support.usa@redseafish.com

*Germany & Austria*

**Red Sea Deutschland**  
Büro Deutschland  
Prinzenallee 7 (Prinzenpark)  
40549 Düsseldorf  
support.de@redseafish.com

*China*

**Red Sea Aquatics (GZ) Ltd.**  
Block A3, No.33 Hongmian Road,  
Xinhua Industrial Park,  
Huadu District, Guangzhou City,  
China, Postal code 510800.  
Tel. +86-020-6625 3828  
info.china@redseafish.com

