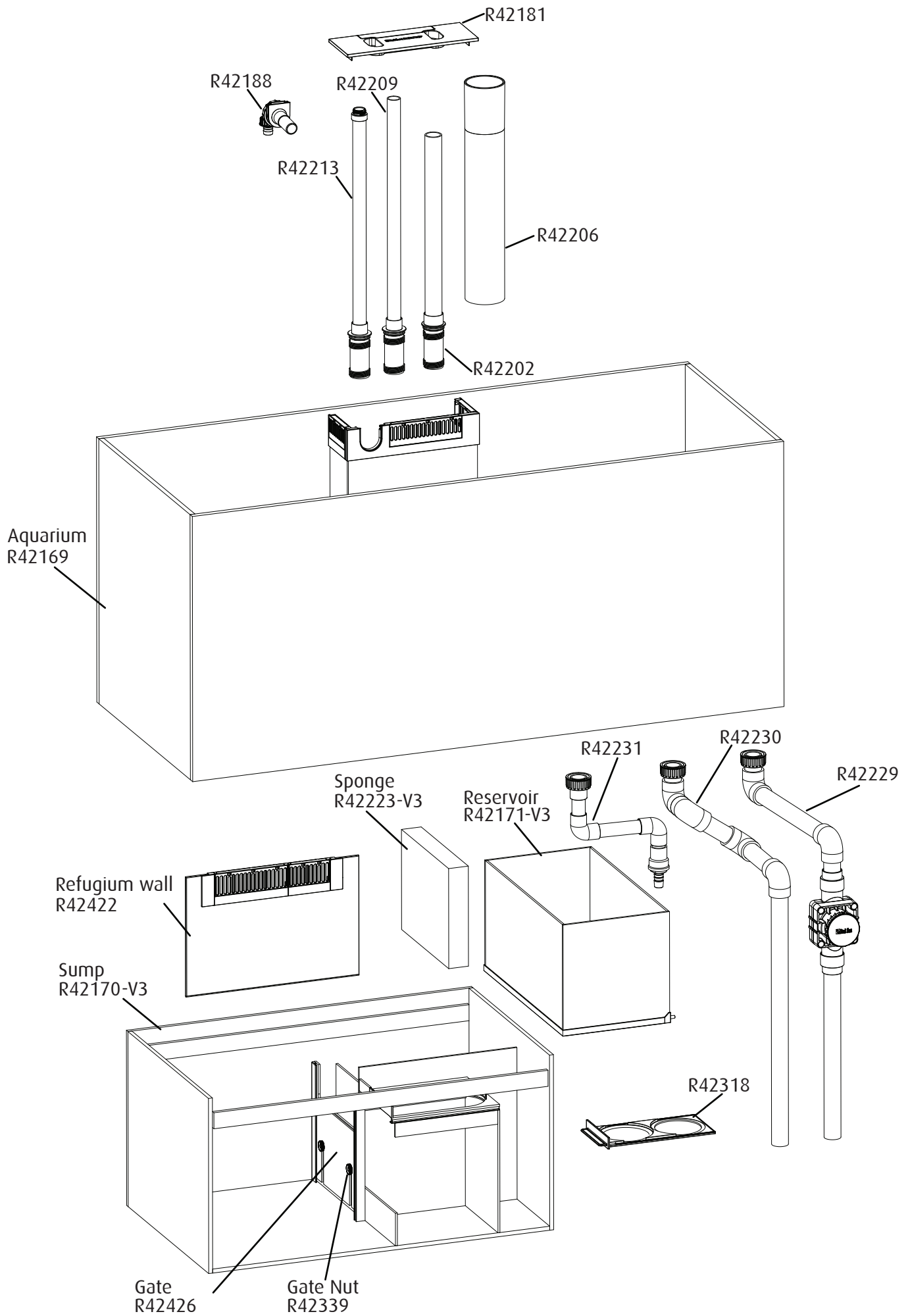


Red Sea REEFER™

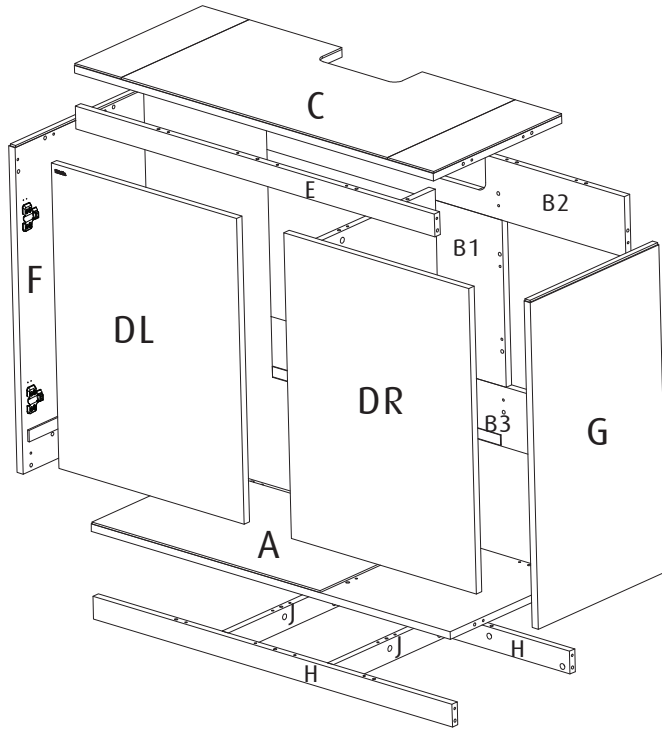
350 (refugium ready)

Aquarium & Cabinet Assembly Manual

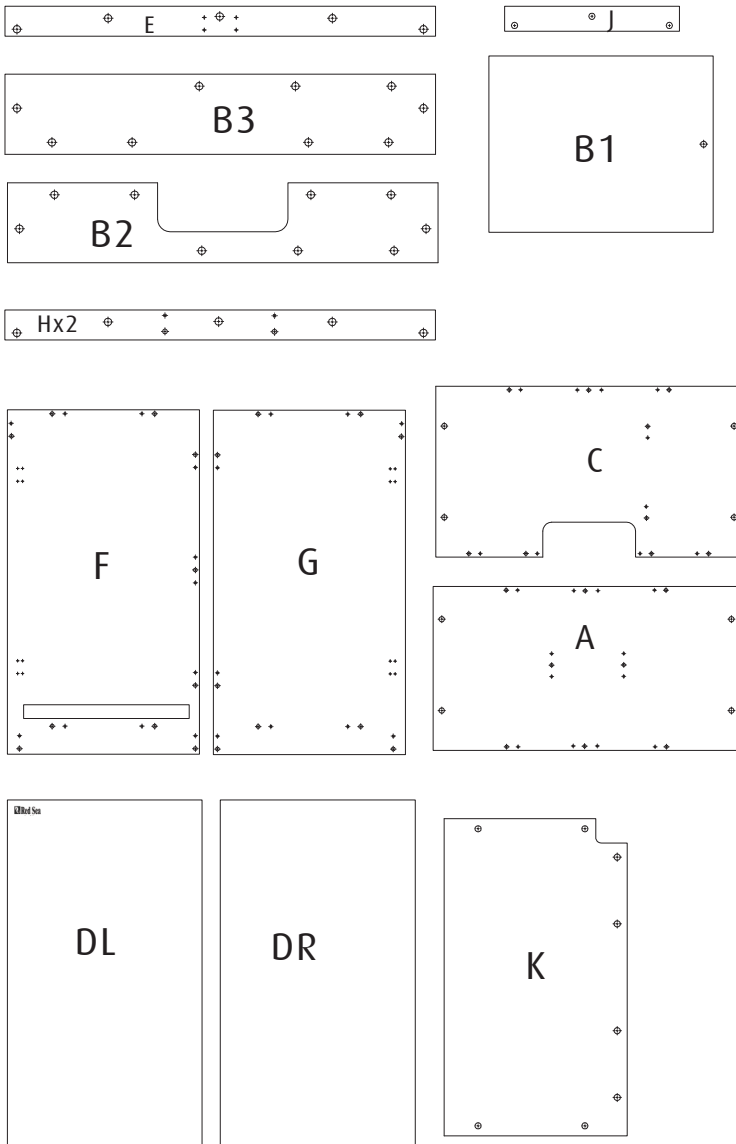
Aquarium Water Management System



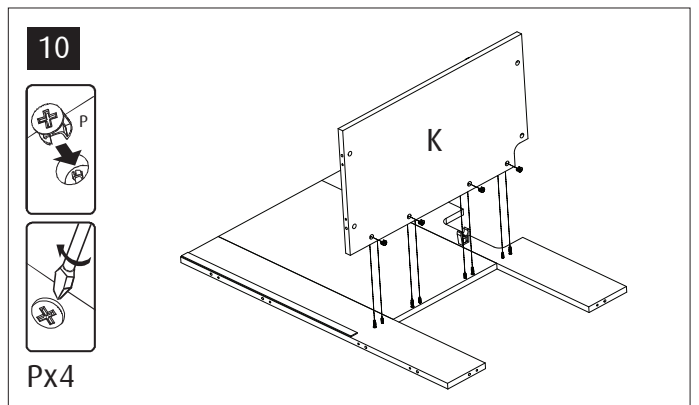
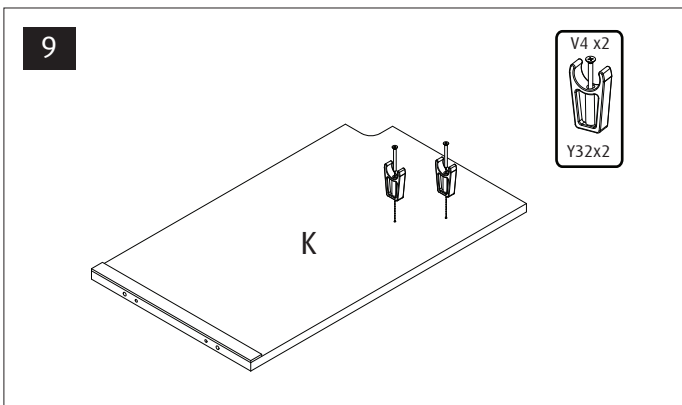
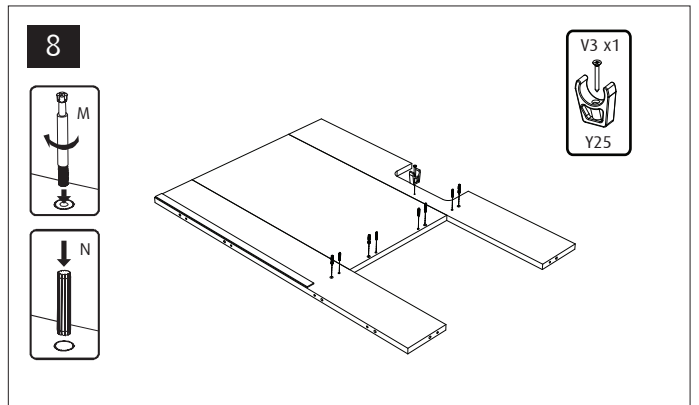
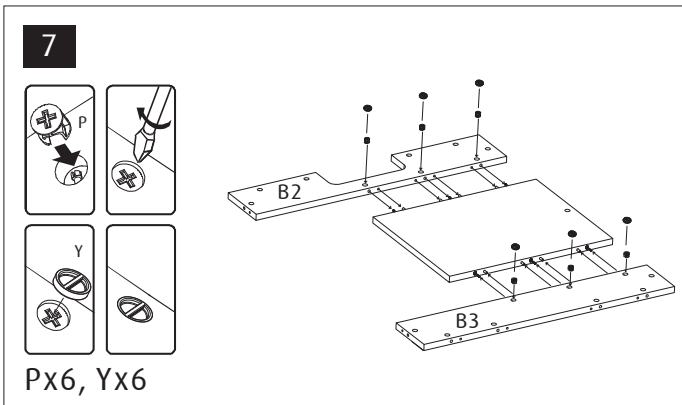
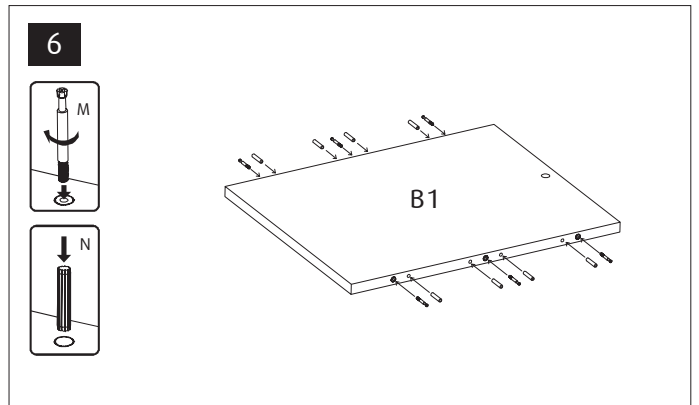
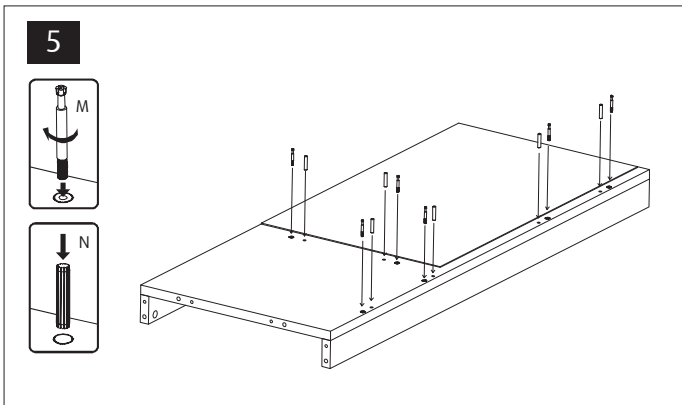
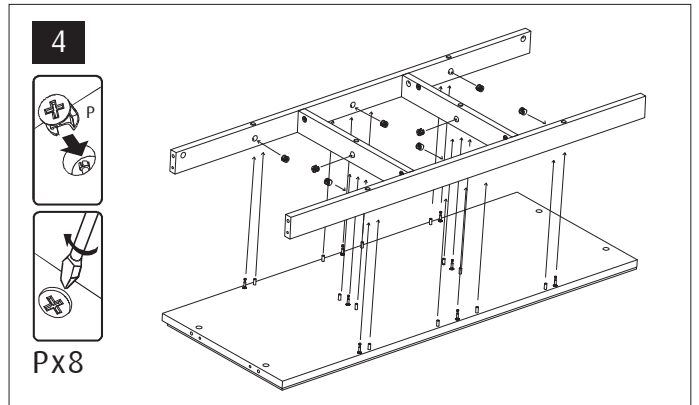
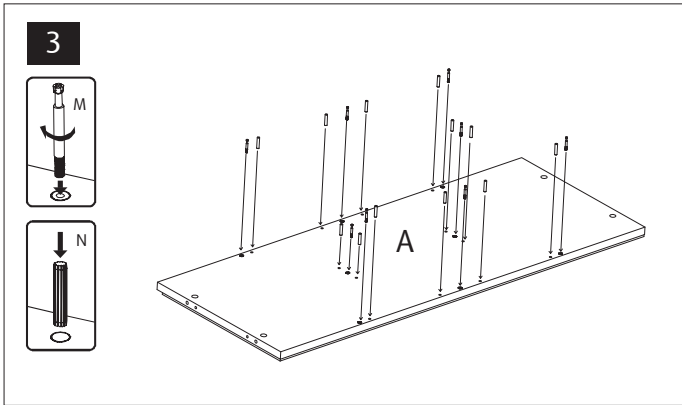
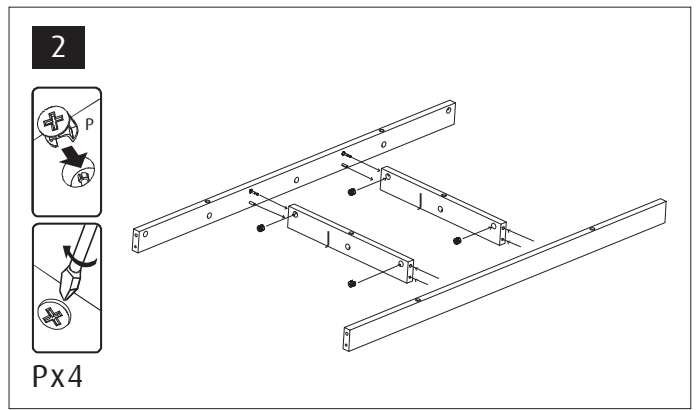
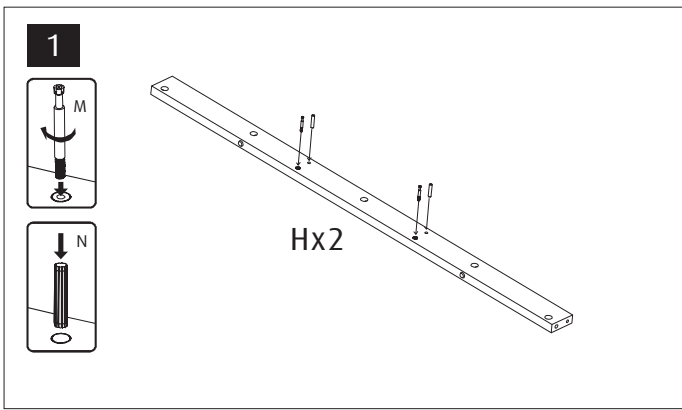
Cabinet

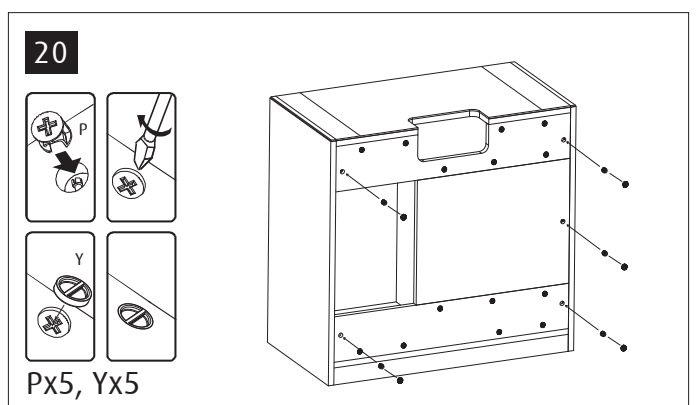
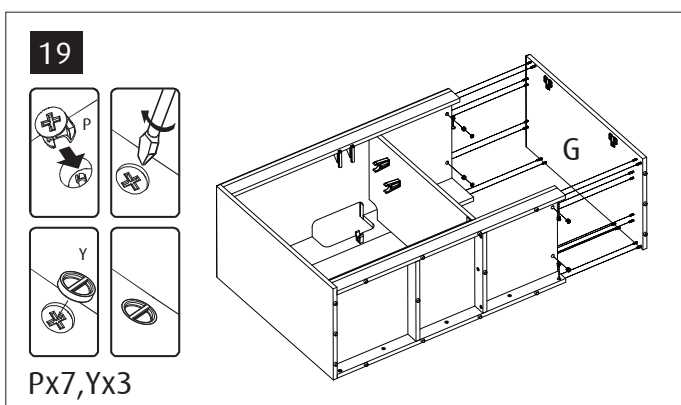
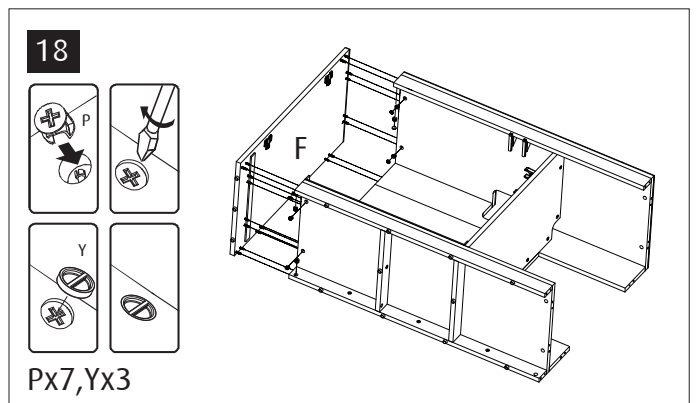
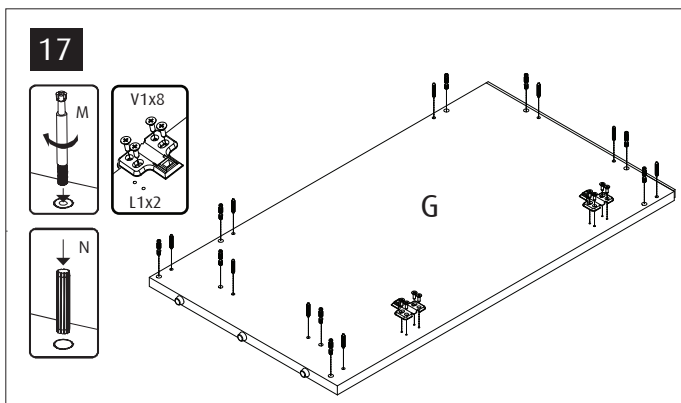
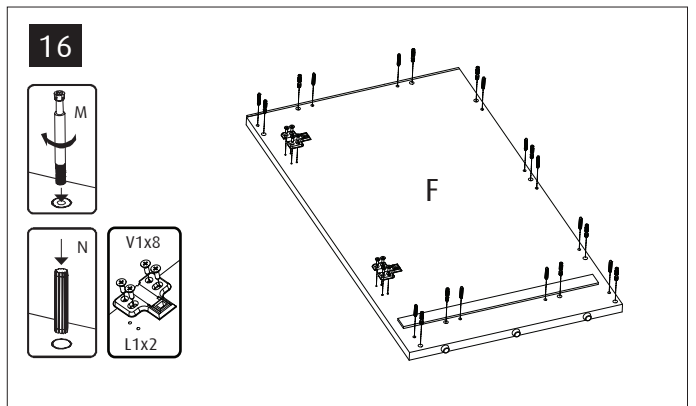
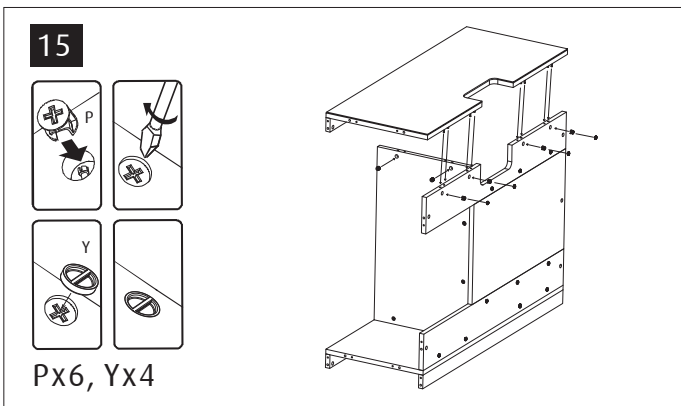
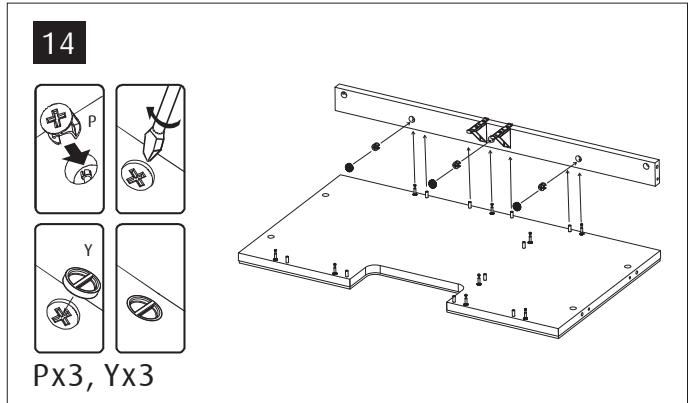
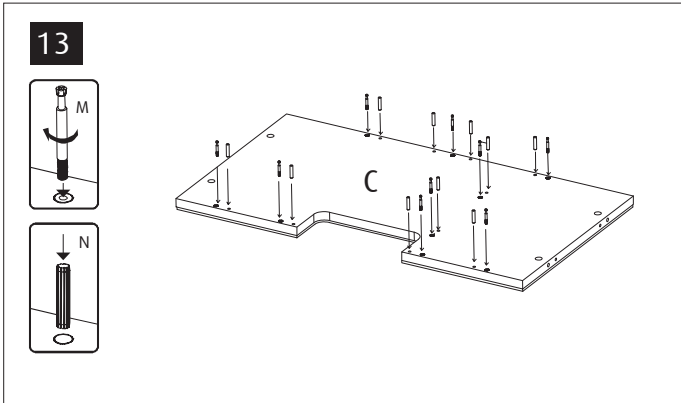
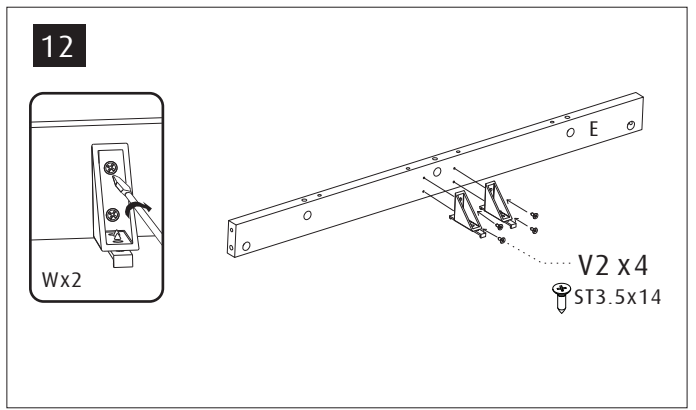
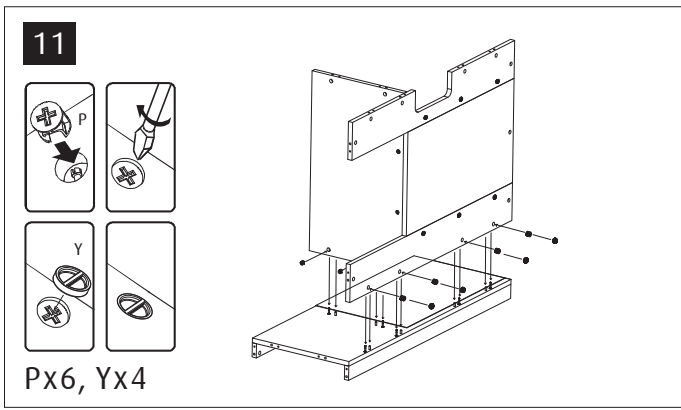


L2		4
L1		
N		64
M		56
P		56
Y		28
R		2
W		2
V1		24
V2		4
V3		1
V4		2
Y32		2
Y25		1

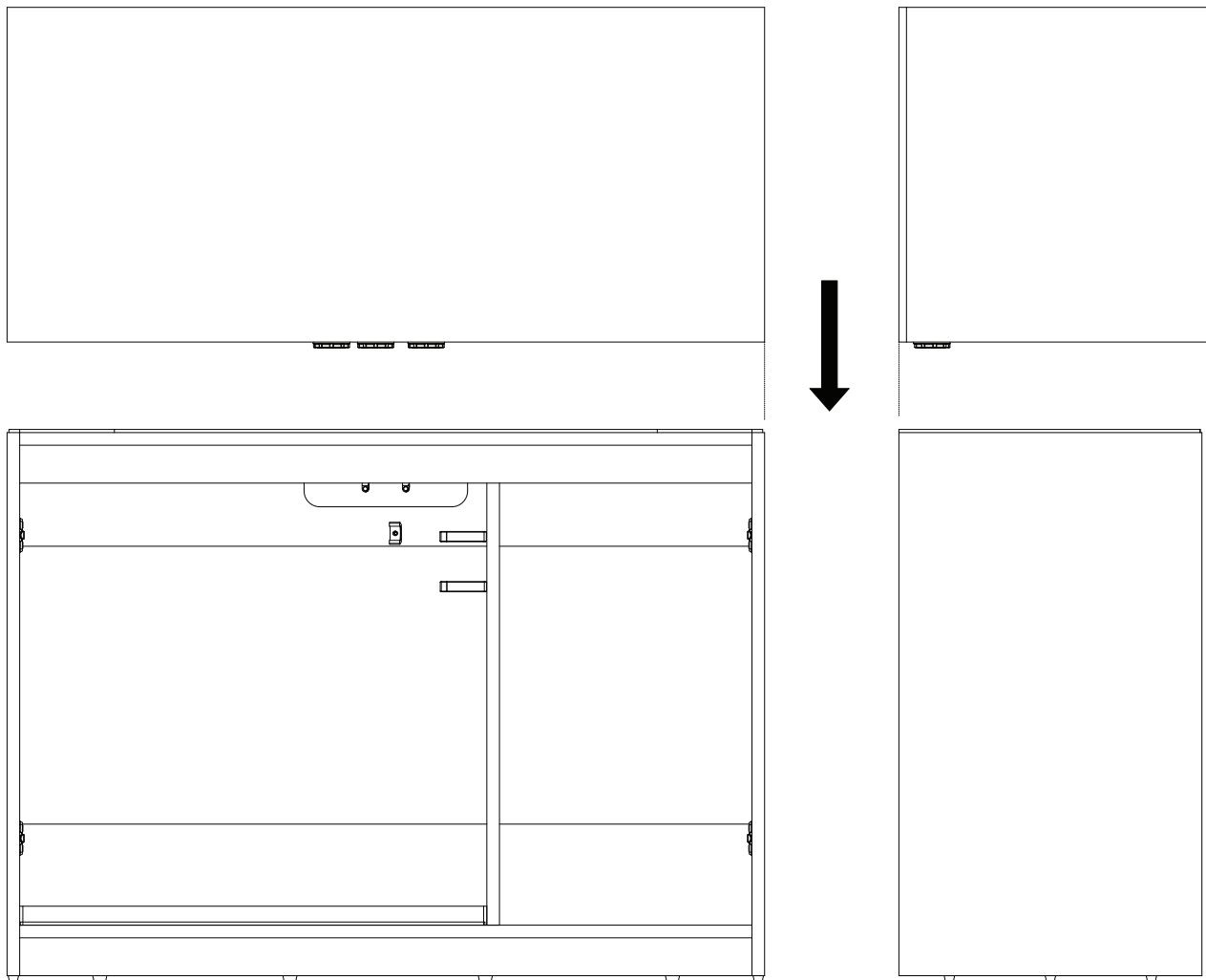


RF350 V3	Black	White	Part Description
C	5291B	5291W	Cabinet Top
A	5292B	5292W	Cabinet Bottom
H	5293B	5293W	Cabinet Front Lower
B1	5294B	5294W	Cabinet Rear Middle
B2	5295BV3	5295WV3	Cabinet Rear Top
B3	5296B	5296W	Cabinet Rear Bottom
K	5297BV3	5297WV3	Cabinet Internal Wall
E	5298B	5298W	Cabinet Front Upper
D	5275B	5275W	Cabinet Door
F	5276BV3	5276WV3	Cabinet Side Left
G	5277BV3	5277WV3	Cabinet Side Right
J	5287B	5287W	Cabinet Base Support

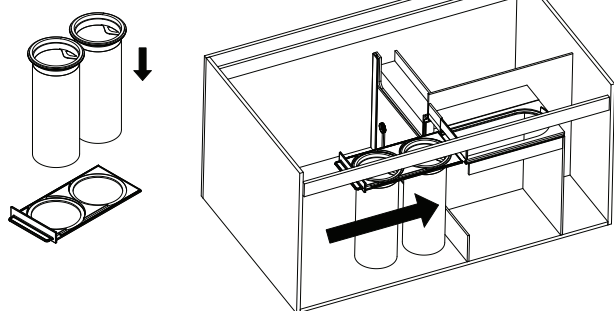




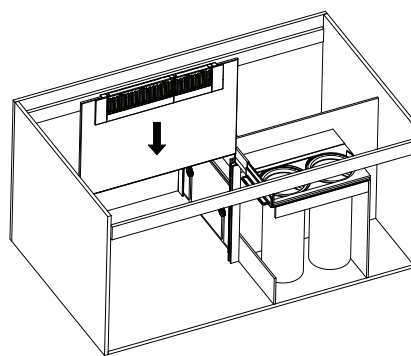
21



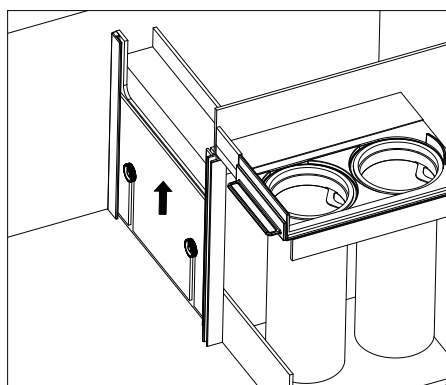
22



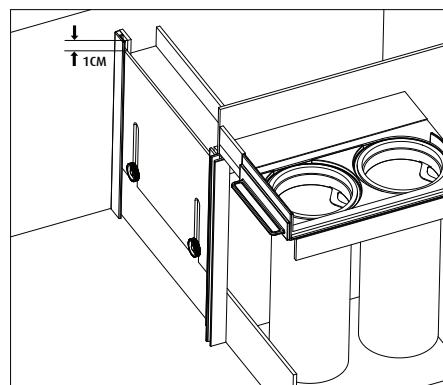
23

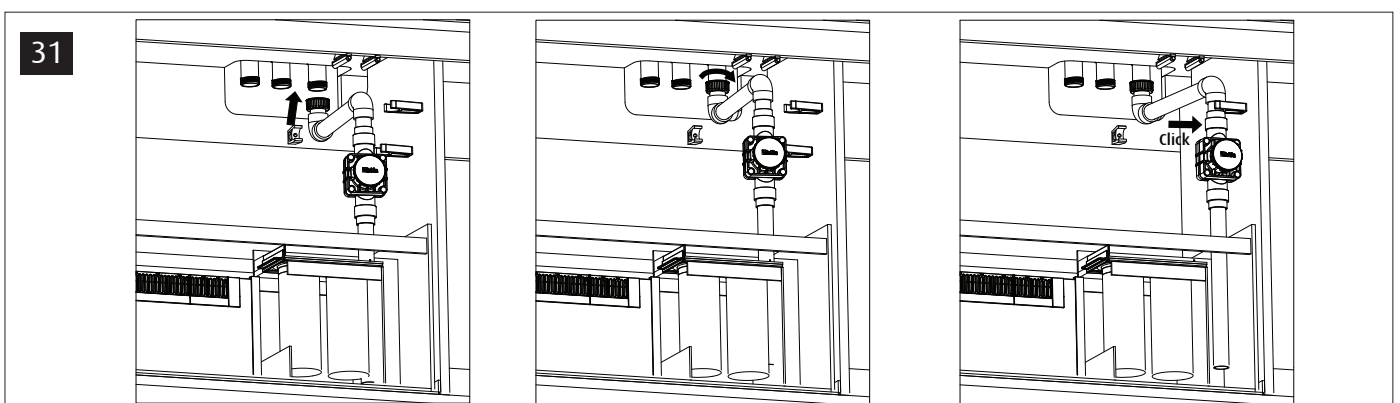
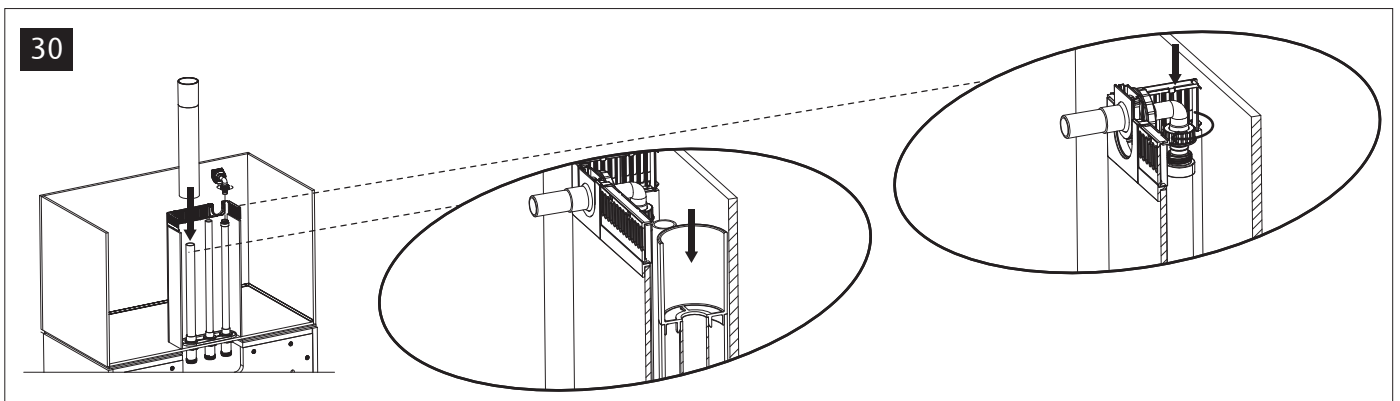
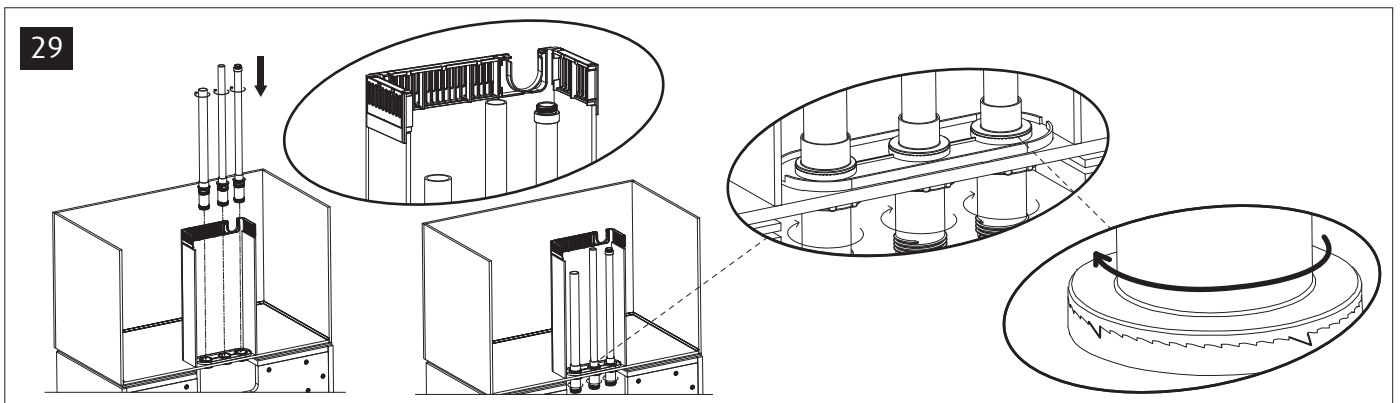
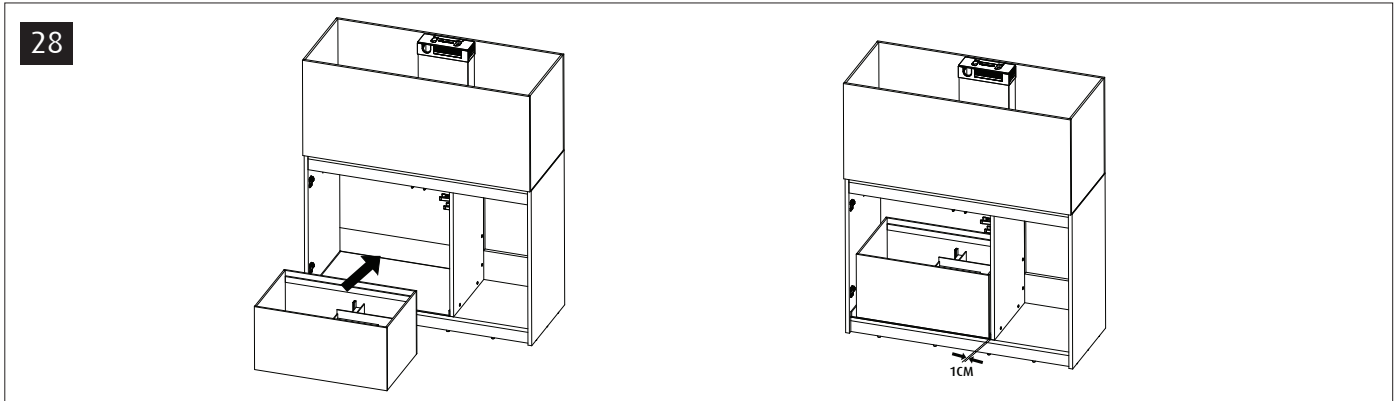
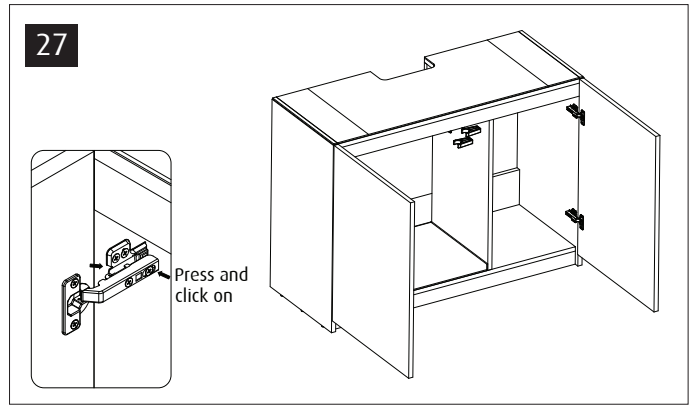
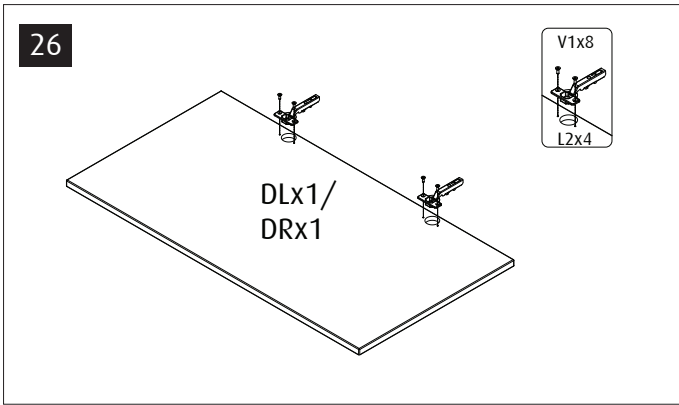


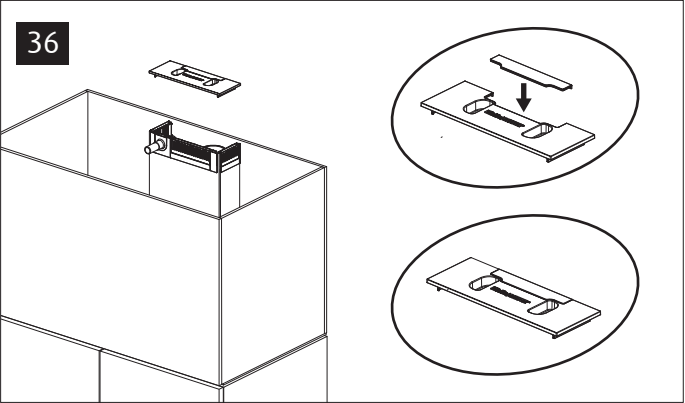
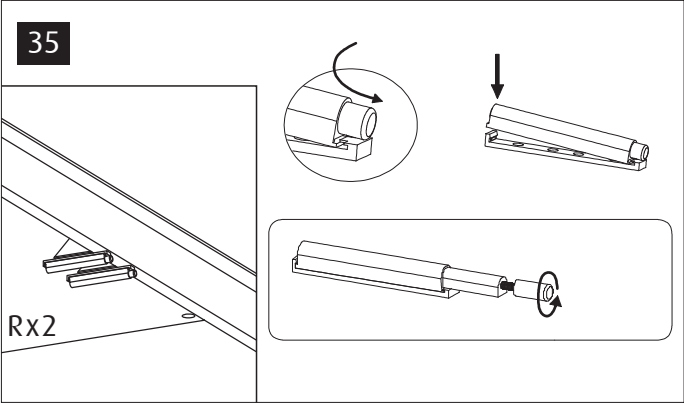
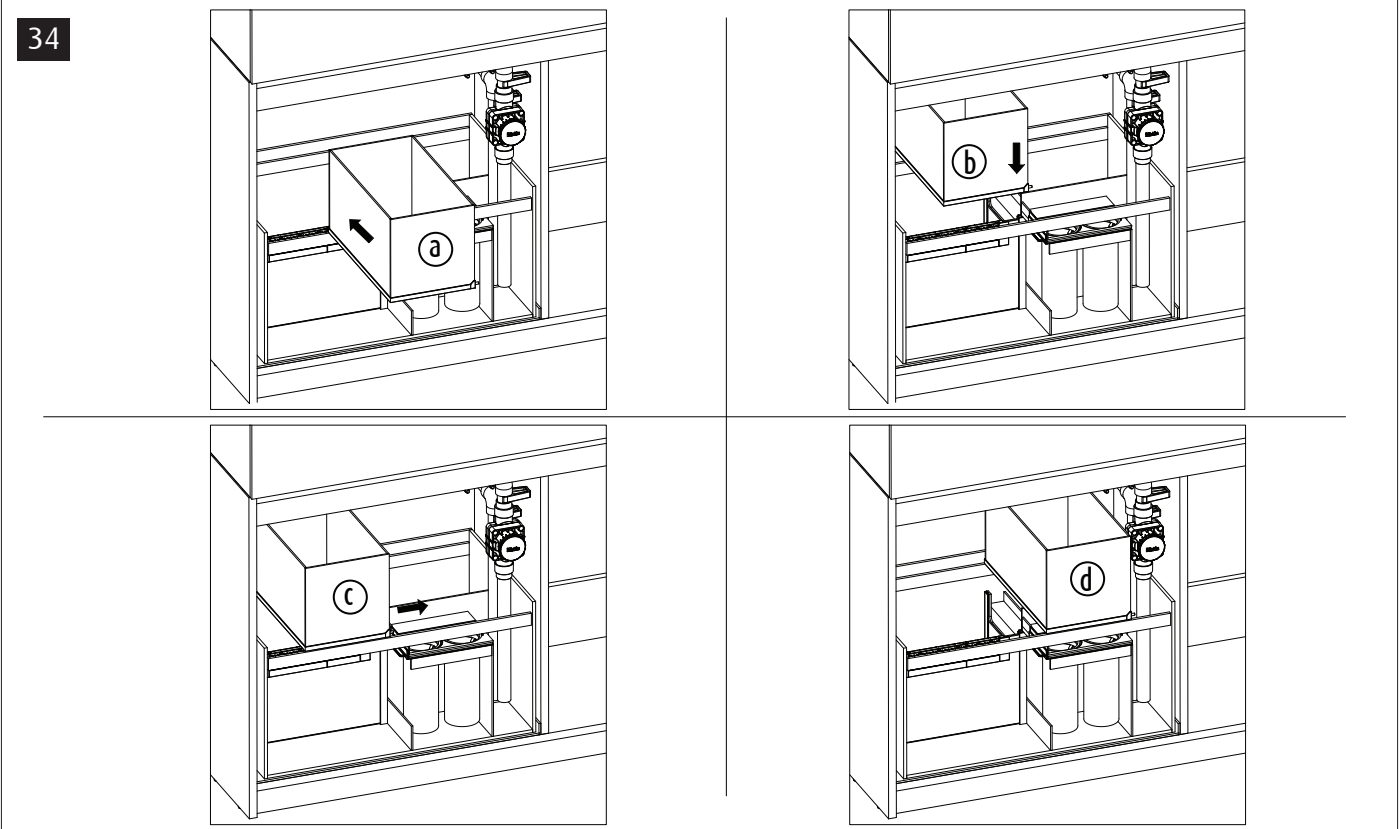
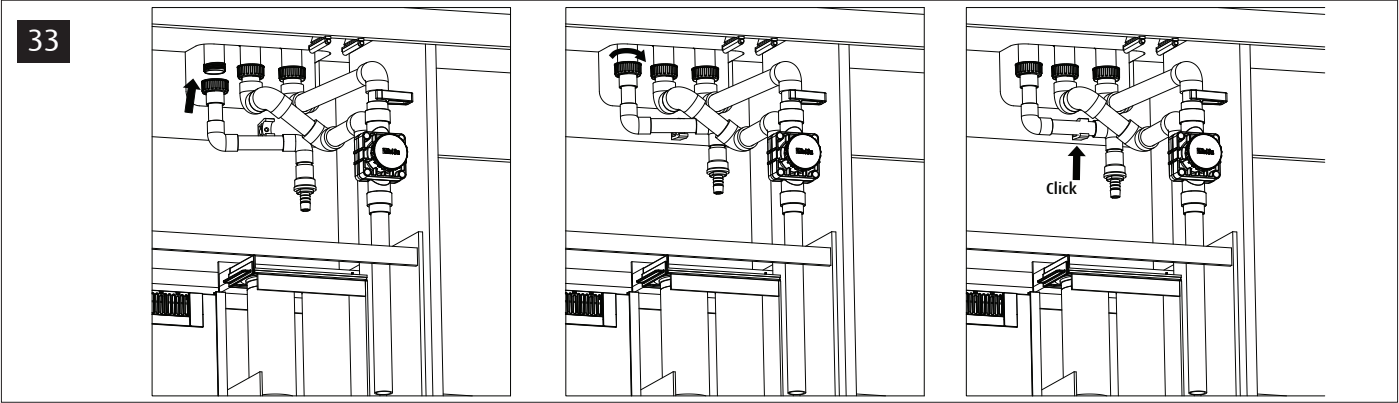
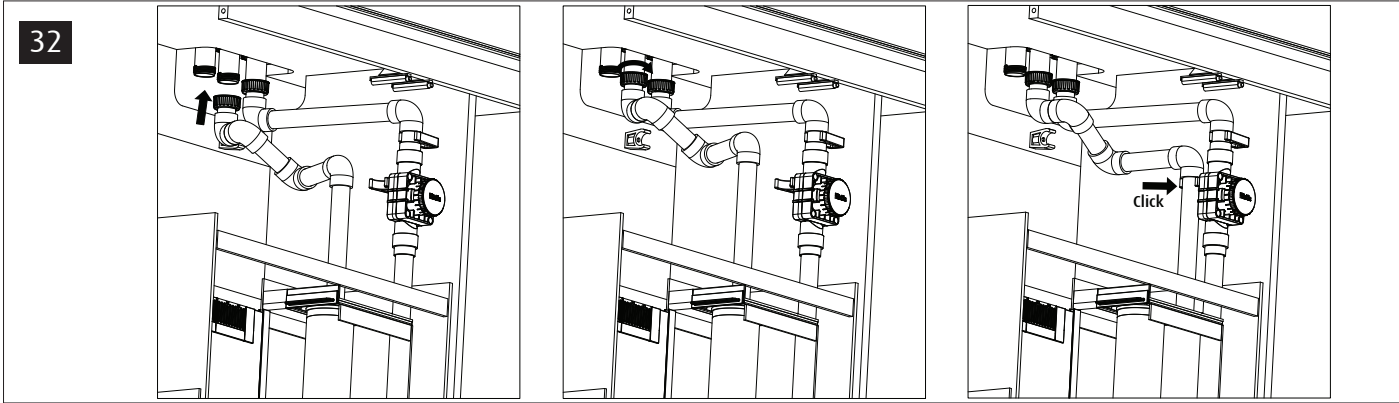
24



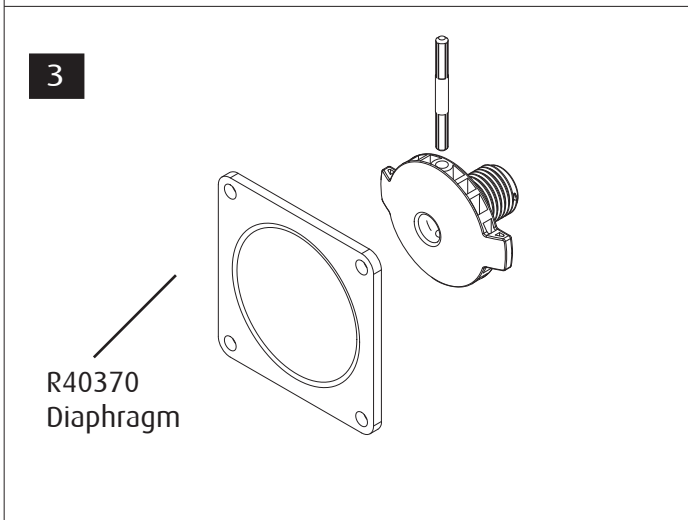
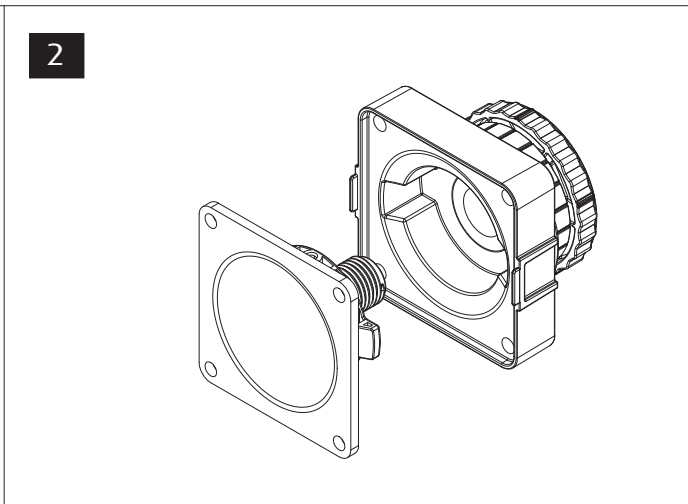
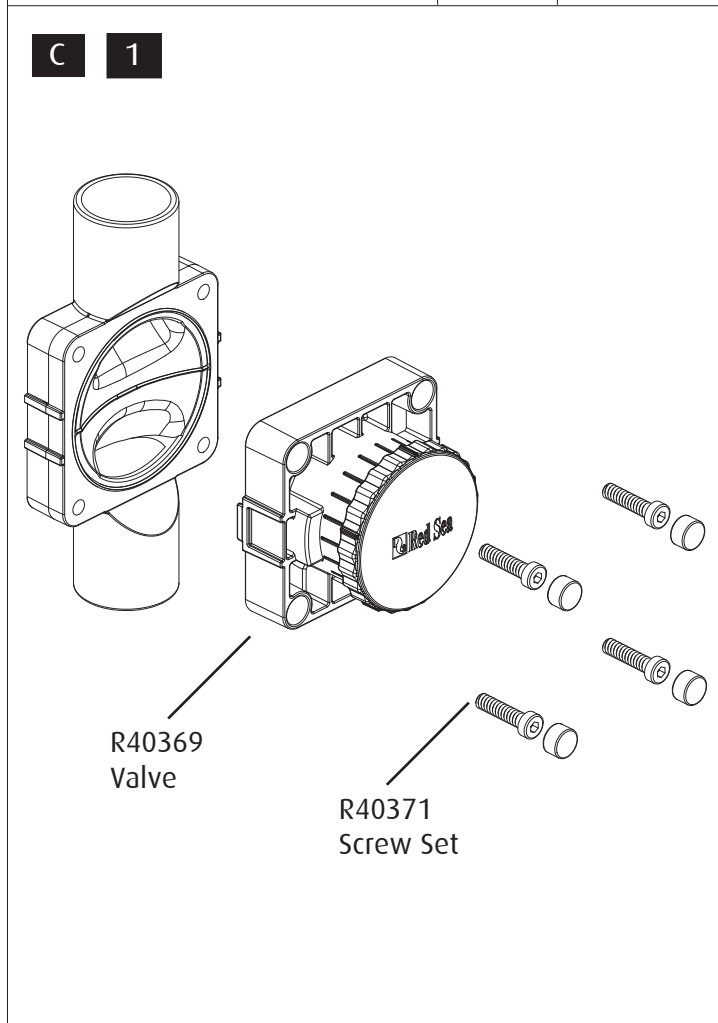
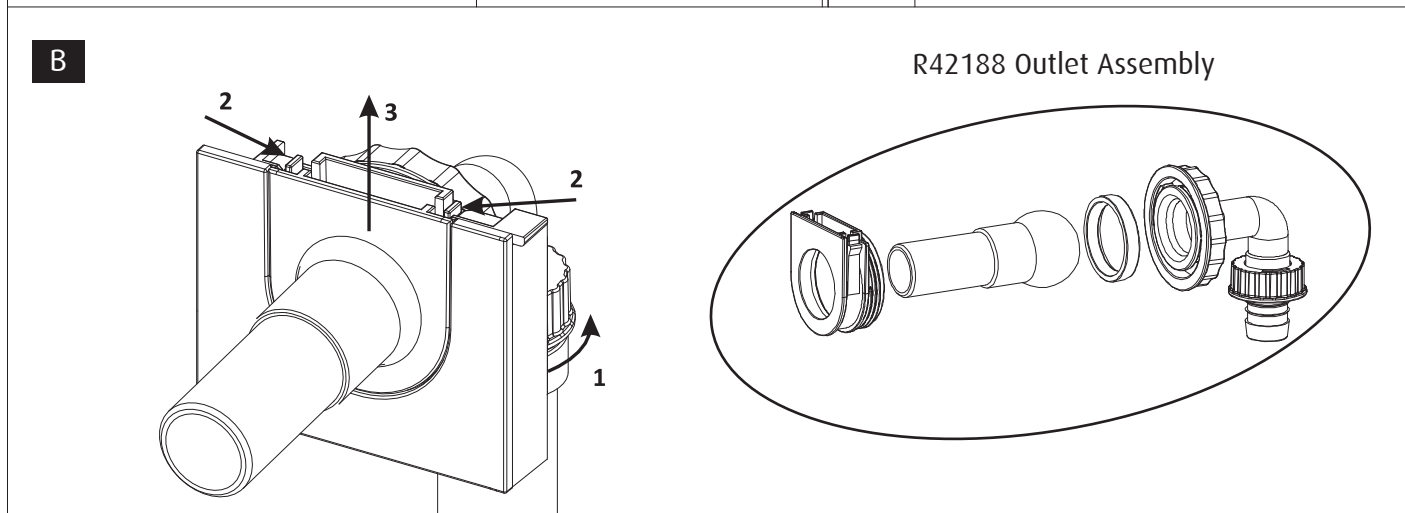
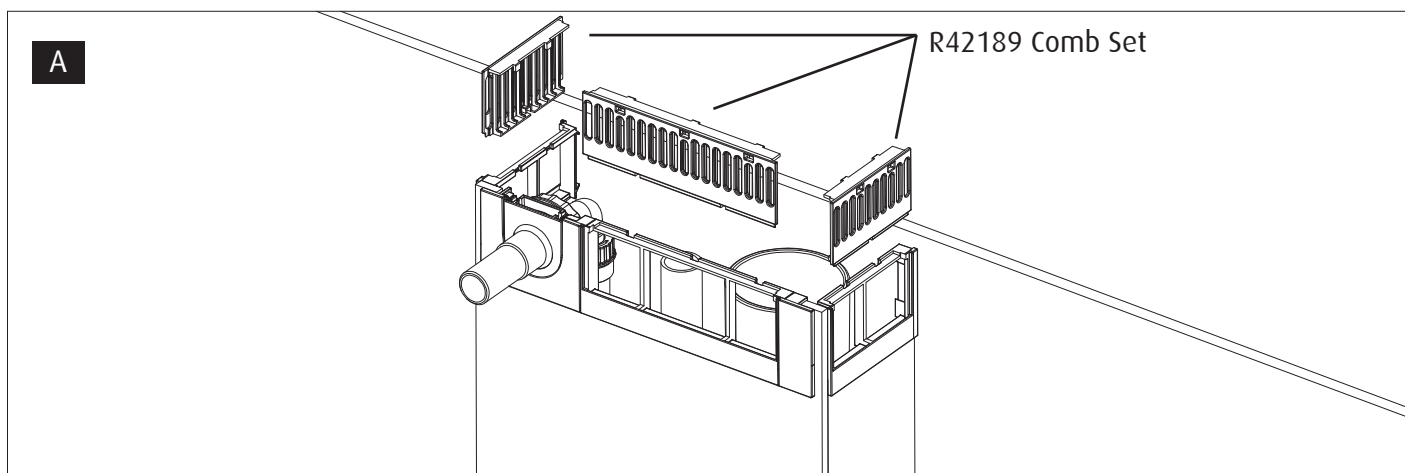
25







MAINTENANCE



Europe

Red Sea Europe
655 Rue des Frères Lumière
27130 Verneuil d'Avre et d'Iton,
France
Tel: (33) 2 32 37 71 37
eur.info@redseafish.com

UK & Ireland

Red Sea Aquatics (UK) Ltd
PO Box 1237
Cheddar, BS279AG
Tel. : +44 (0) 203 3711437
Fax : +44 (0) 800 0073169
uk.info@redseafish.com

North America

Red Sea U.S.A & Canada
4687 World Houston
Parkway #150
Houston, TX 77032, U.S.A
Tel. : +1-888-RED-SEA9
usa.info@redseafish.com

Germany & Austria

Red Sea Deutschland
Büro Deutschland
Prinzenallee 7 (Prinzenpark)
40549 Düsseldorf
Tel: 0211-52391 481
info.de@redseafish.com

China

Red Sea Aquatics (GZ) Ltd.
Block A3, No.33 Hongmian Road,
Xinhua Industrial Park,
Huadu District, Guangzhou City,
China, Postal code 510800.
Tel: +86-020-6625 3828
info.china@redseafish.com


www.redseafish.com