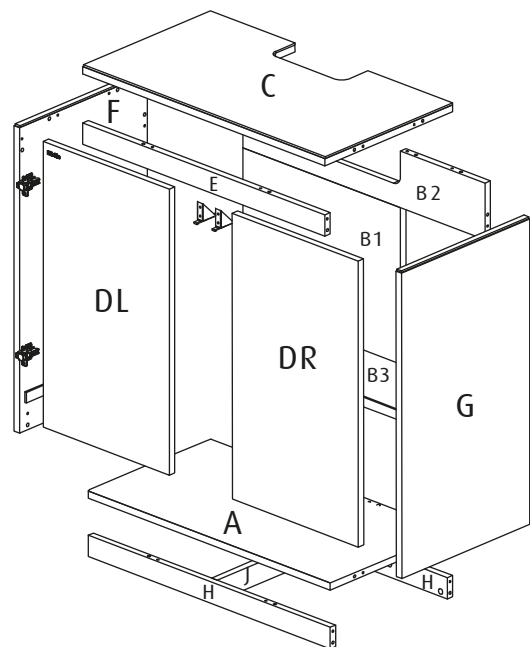
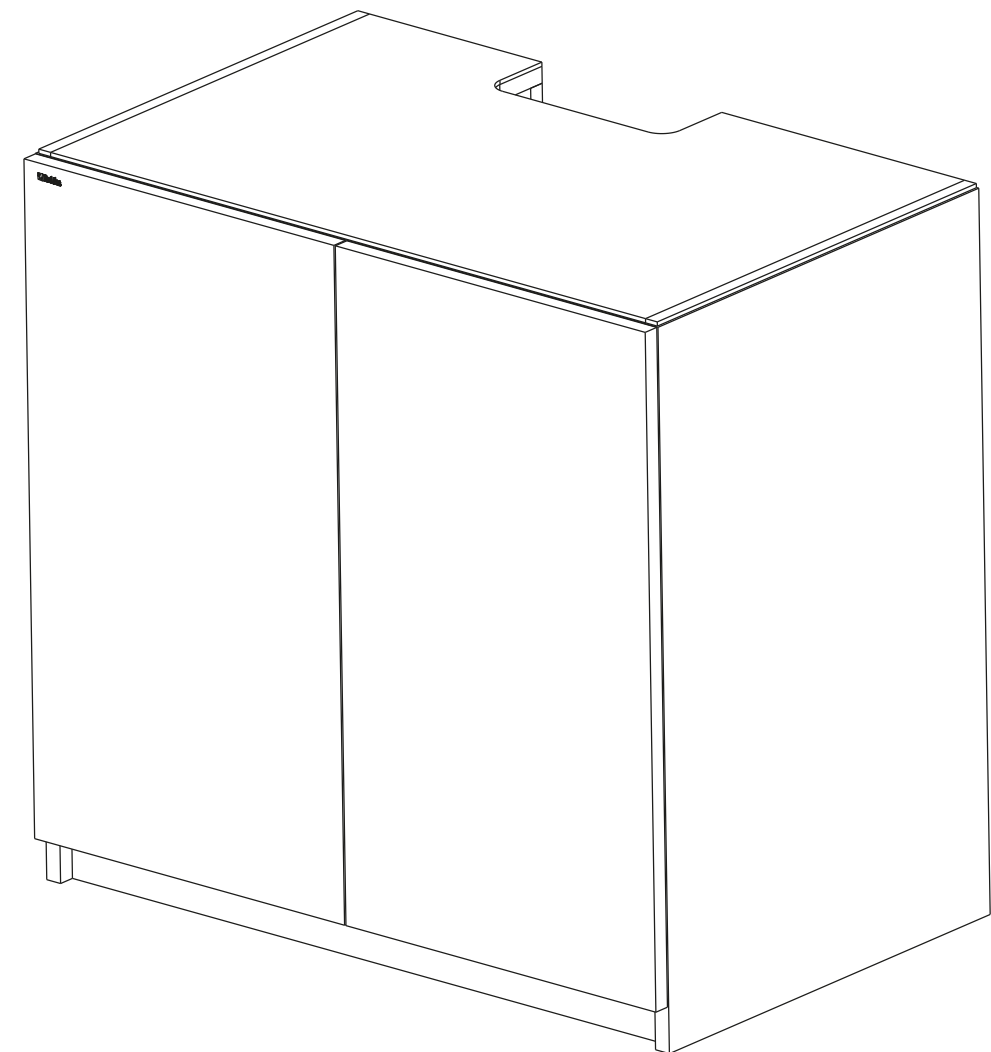


L		x 4
M		x 41
N		x 45
O	ST3.9 x16	x 24
P		x 41
R		x 2
Y		x 26
T	ST3.5 x14	x 4
W		x 2



Red Sea MAX[®] E-260

- EN** Cabinet Installation Guide
- FR** Guide d'installation du meuble
- DE** Kabinett Installationsanleitung



#4631 MAX E-260_v20A

Europe
Red Sea Europe
655 Rue des Frères Lumière
27130 Verneuil d'Avre et d'Iton,
France
support.fr@redseafish.com

UK & Ireland
Red Sea Aquatics (UK) Ltd
PO Box 1237
Cheddar, BS279AG
uk.info@redseafish.com

North America
Red Sea U.S.A & Canada
4687 World Houston
Parkway #150
Houston, TX 77060
support.usa@redseafish.com

Germany & Austria
Red Sea Deutschland
Prinzenallee 7 (Prinzenpark)
40549 Düsseldorf
support.de@redseafish.com

Red Sea Aquatics (GZ) Ltd
Block A3, No.33 Hongmian Road,
Xinhua Industrial Park,
Huadu District, Guangzhou City,
China, Postal code 510800
Tel: +86-020-6625 3828
info.china@redseafish.com

Red Sea
www.redseafish.com

Red Sea

