

# Red Sea MAX<sup>®</sup>

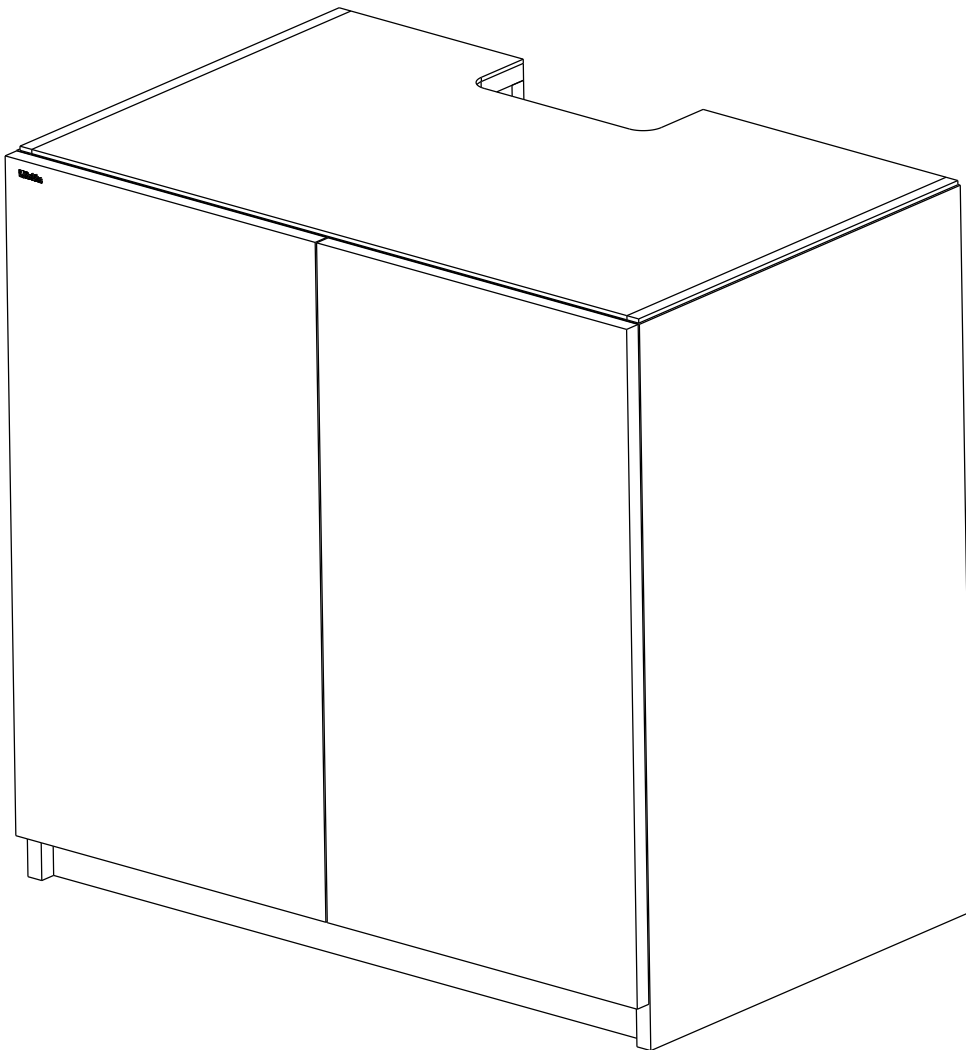
## E-260

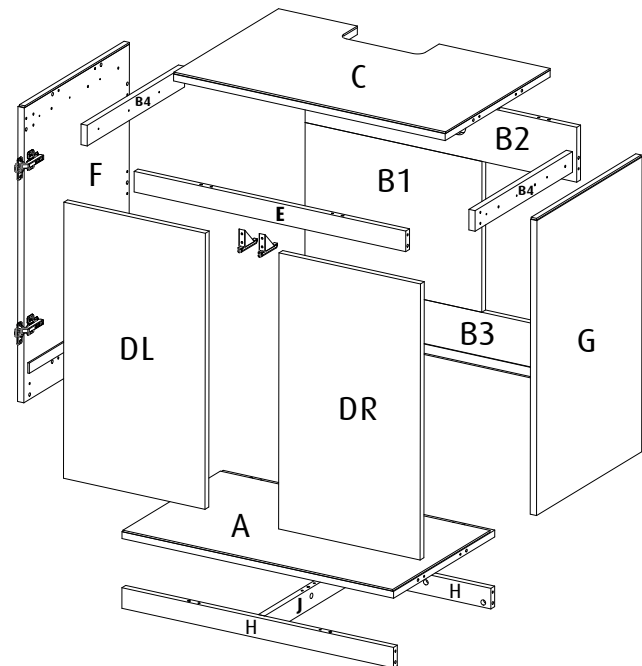
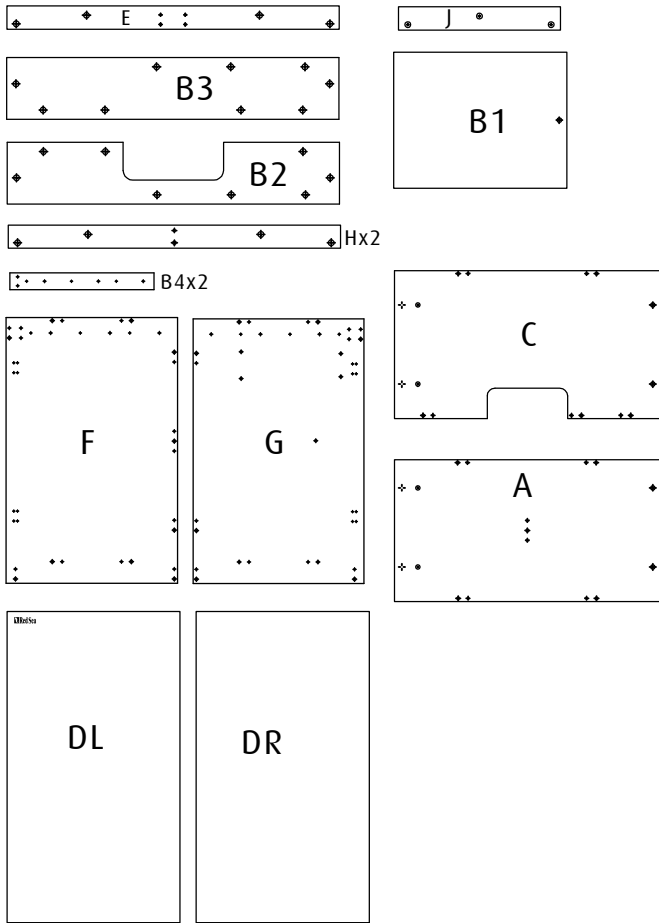
---

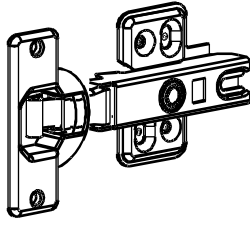
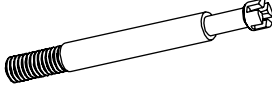



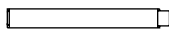

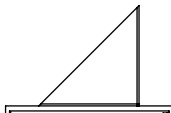
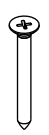
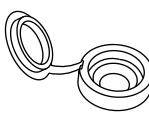

**EN** Cabinet Installation Guide

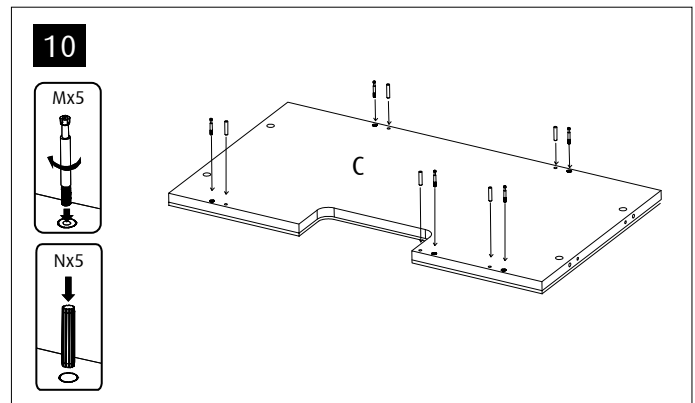
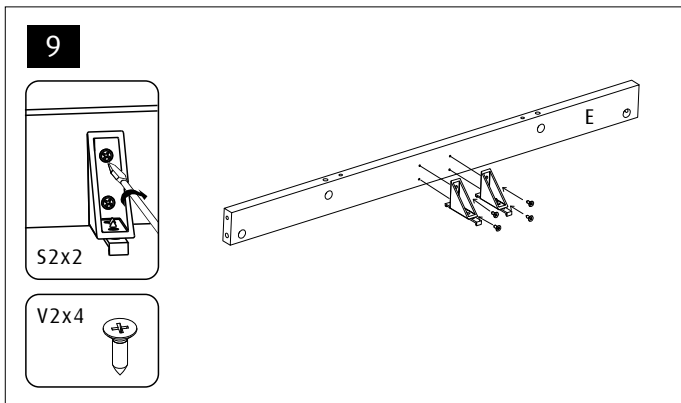
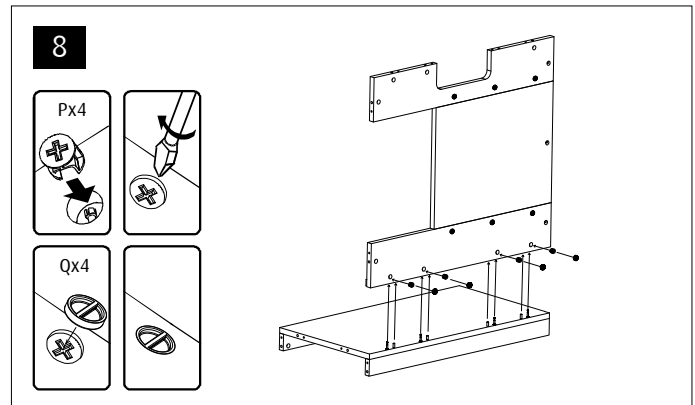
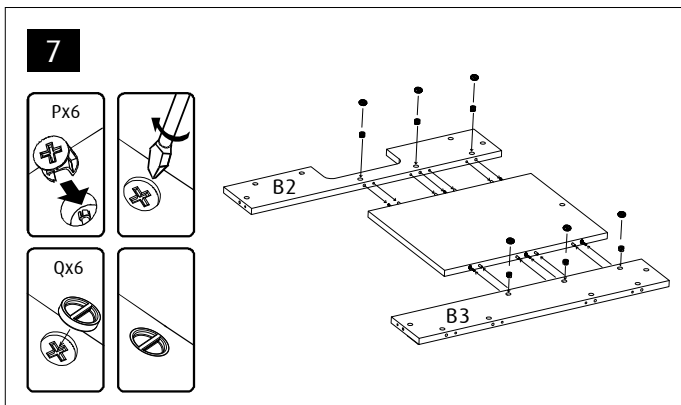
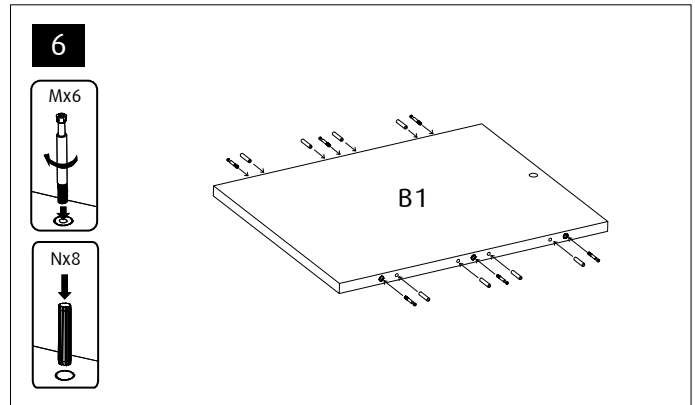
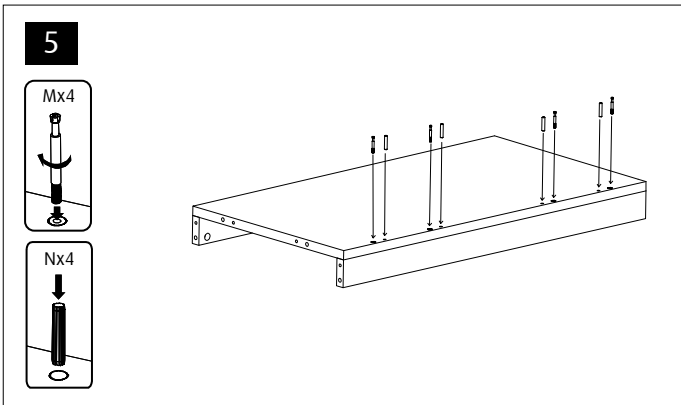
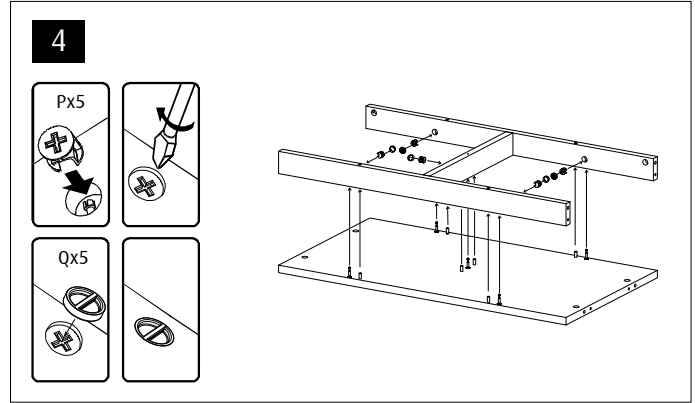
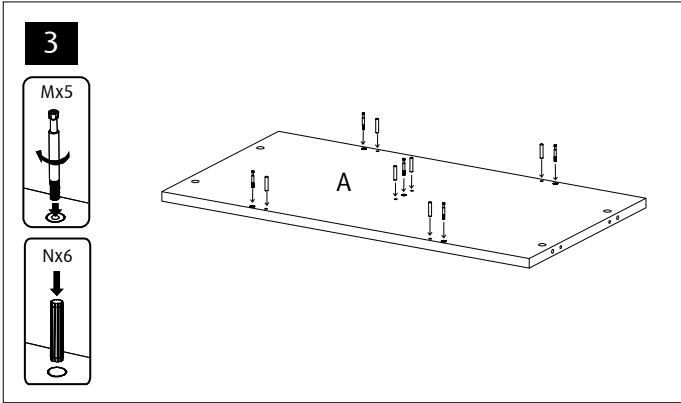
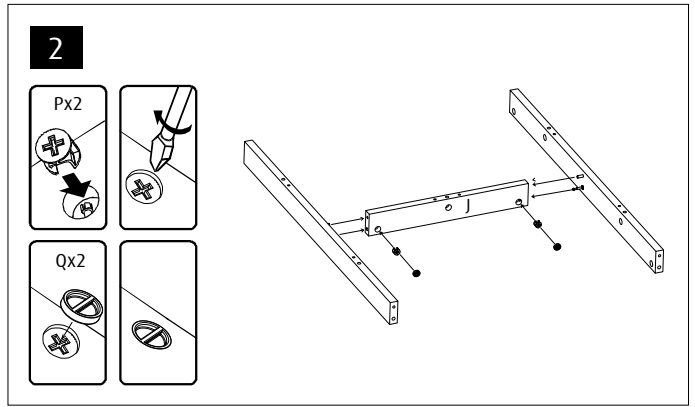
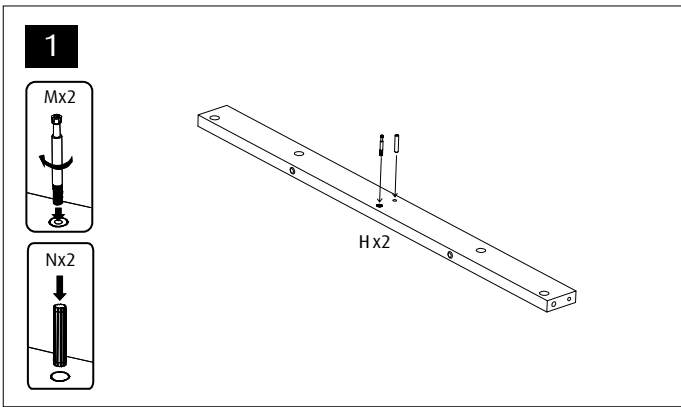
**FR** Guide d'installation du meuble

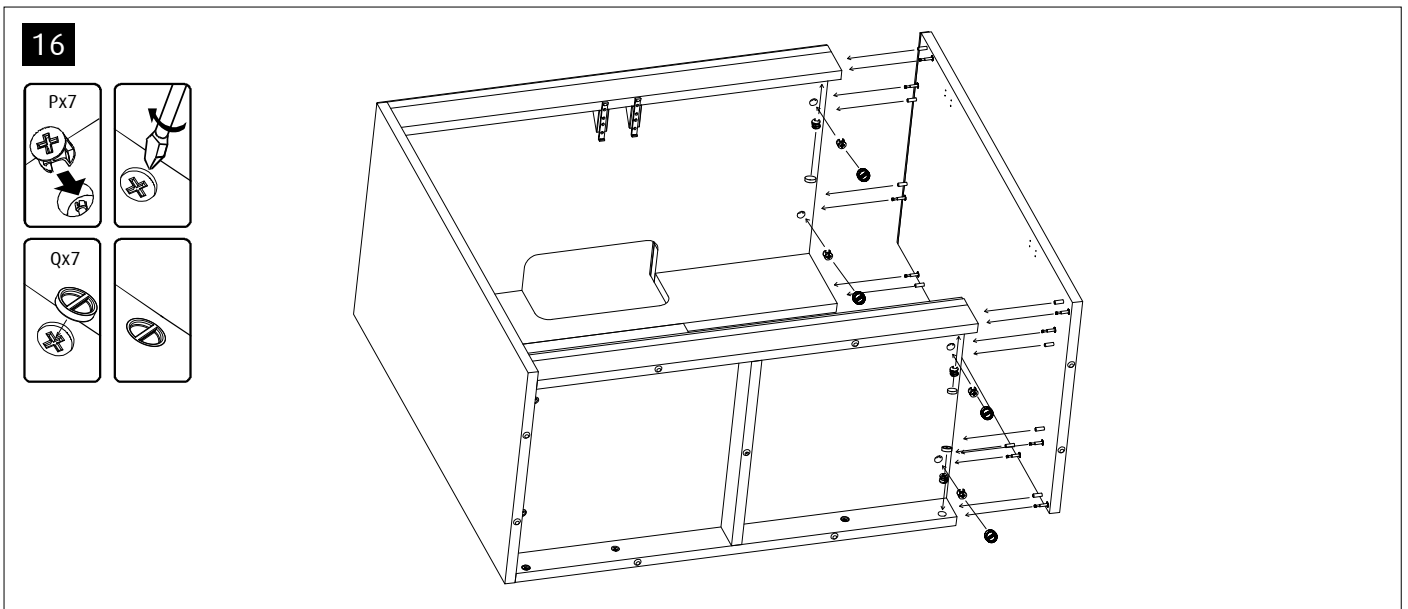
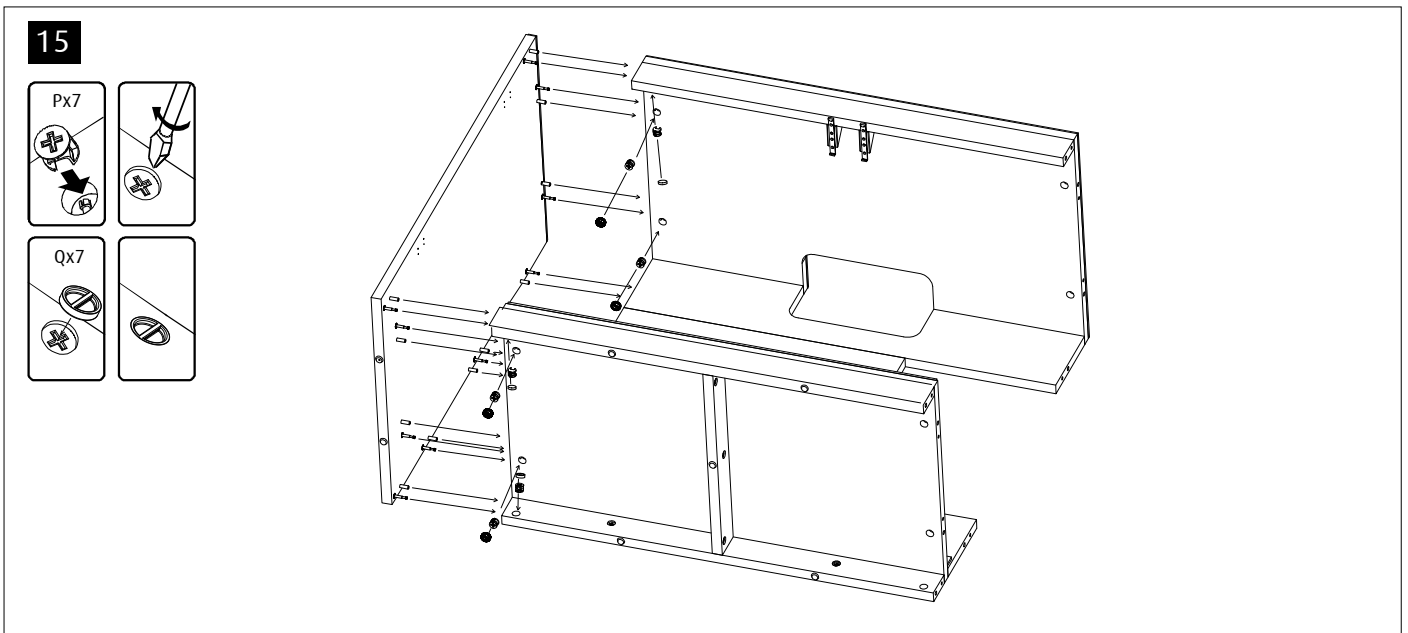
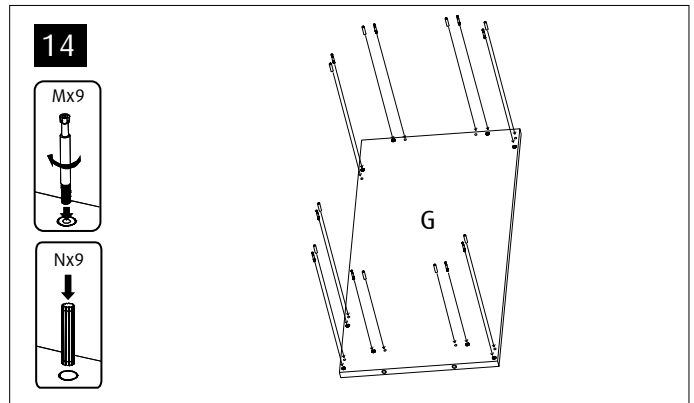
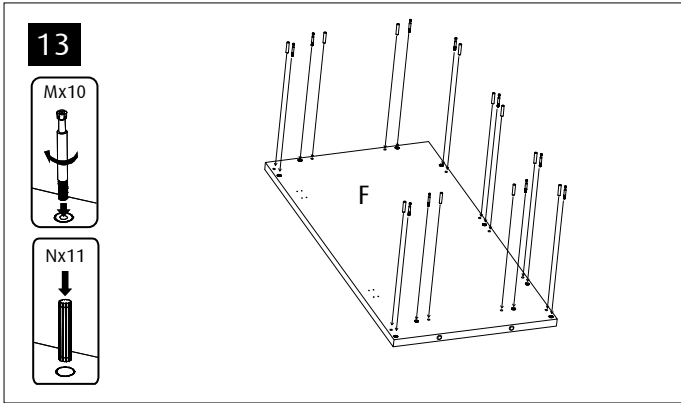
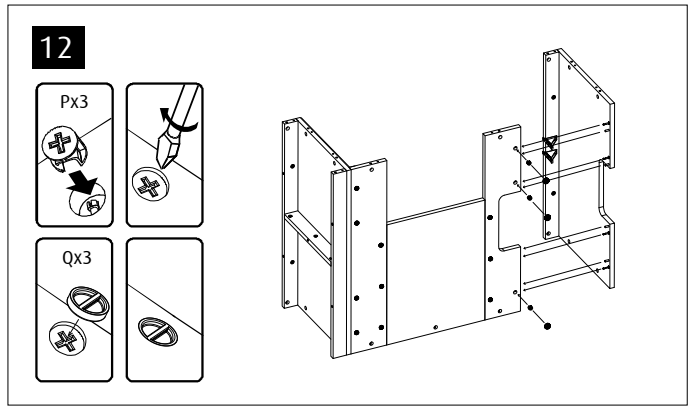
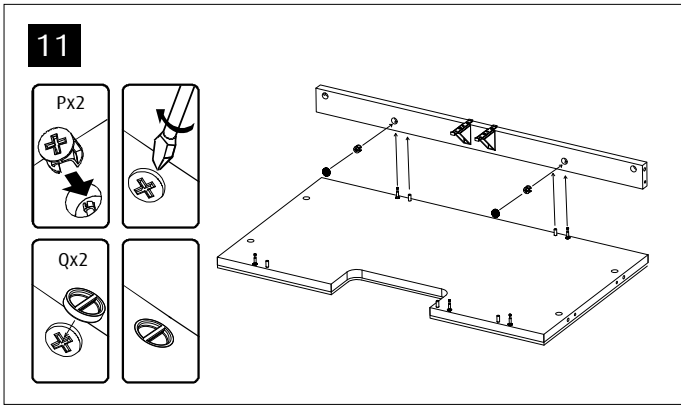
**DE** Kabinett Installationsanleitung

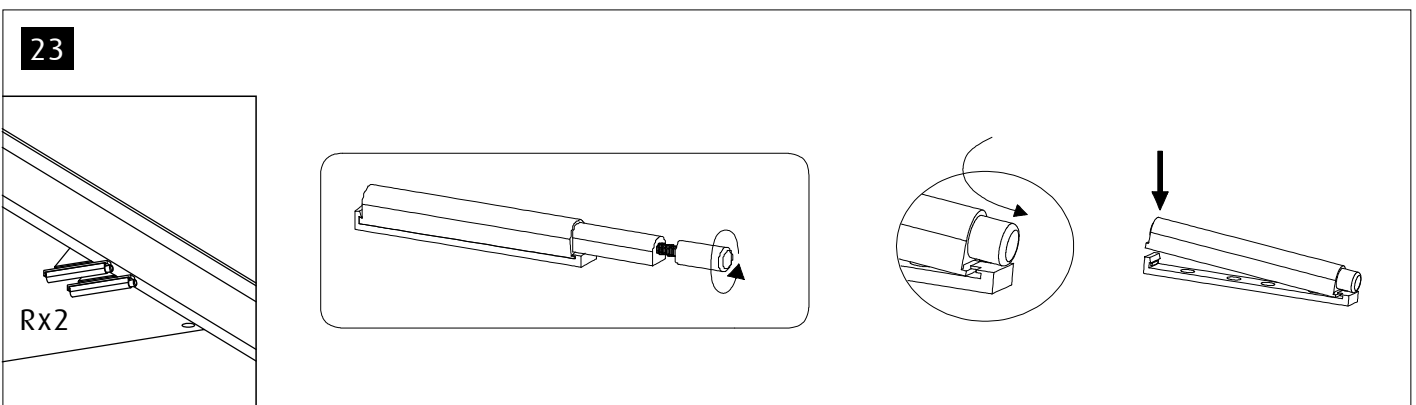
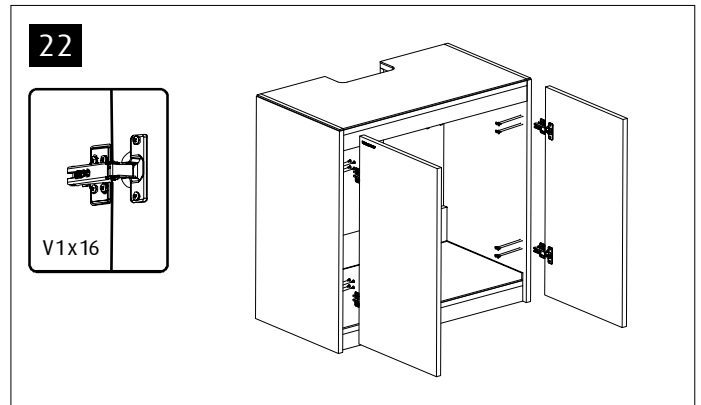
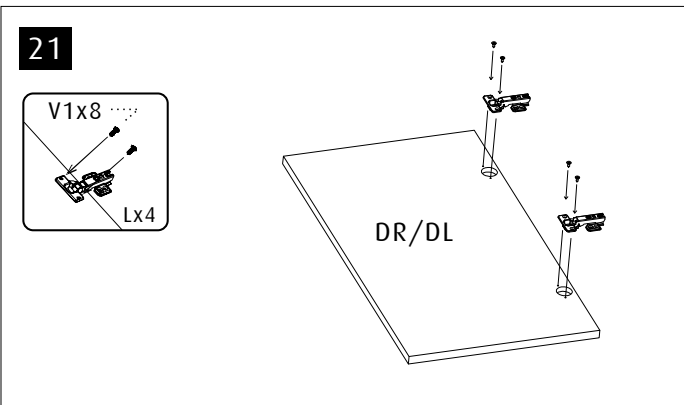
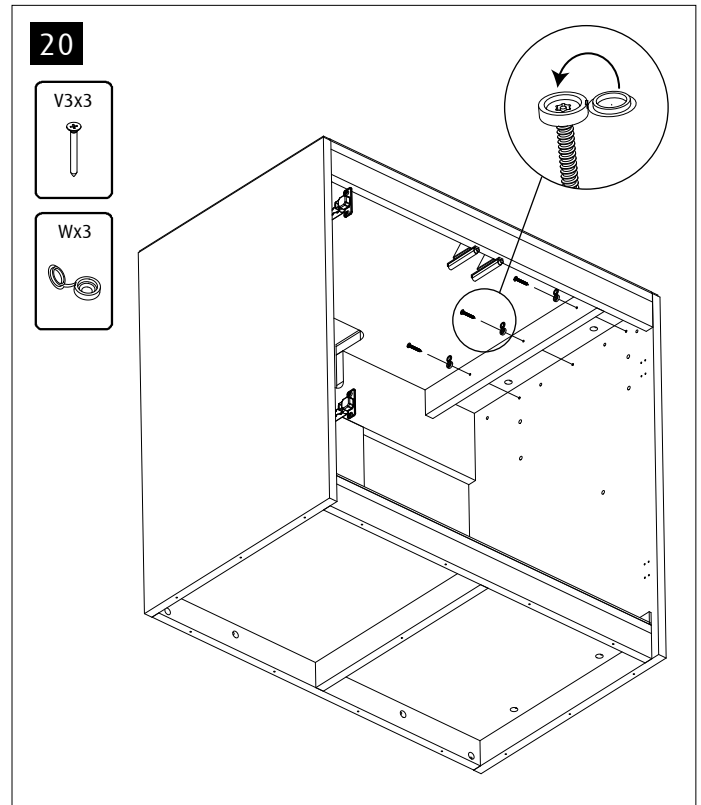
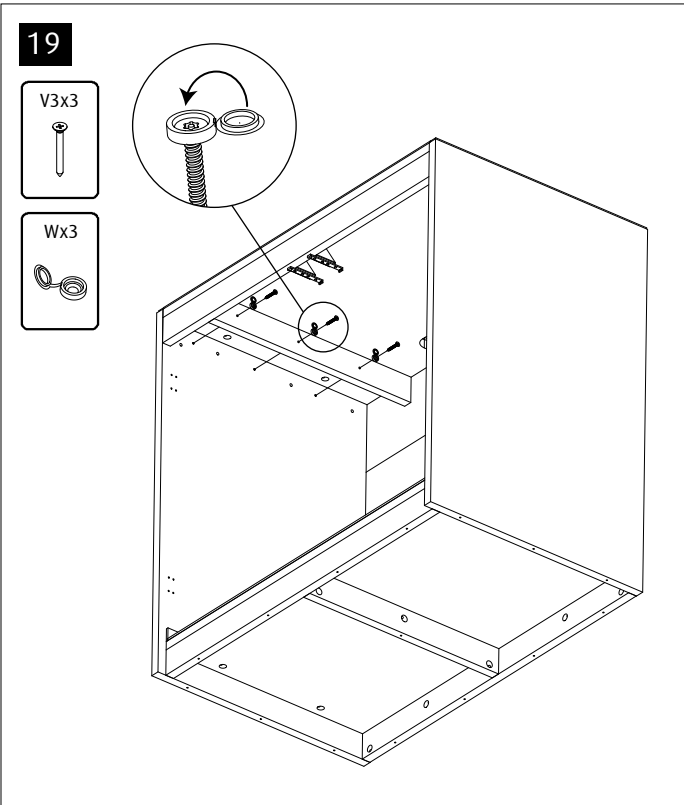
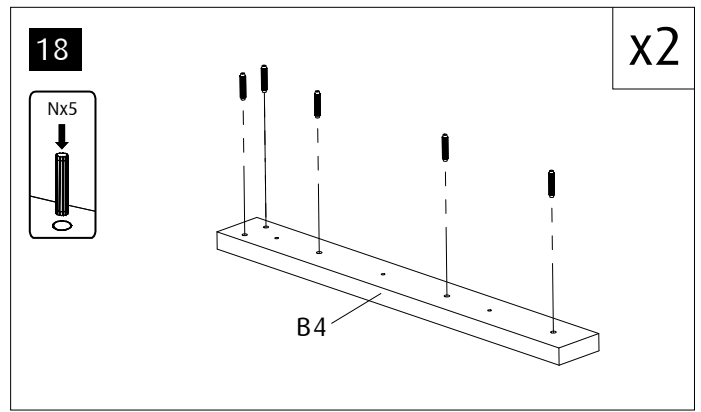
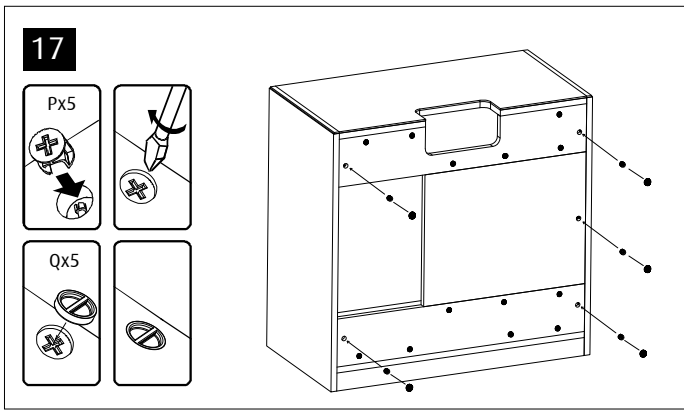


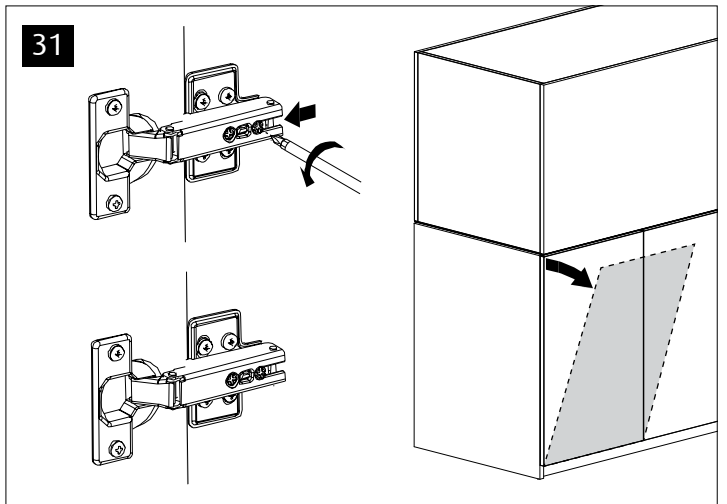
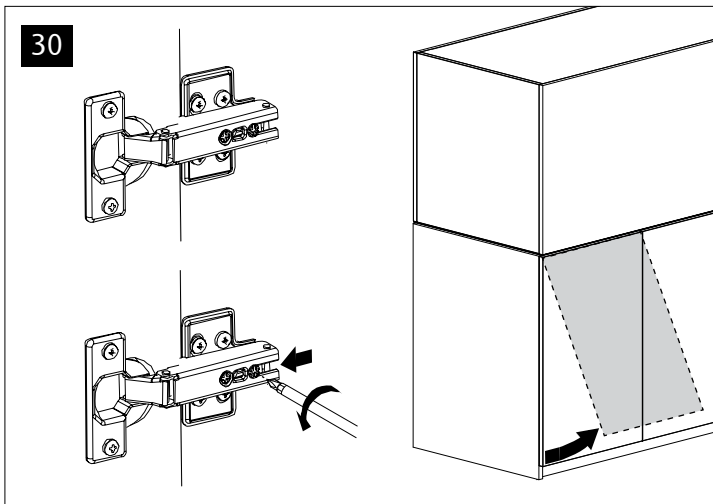
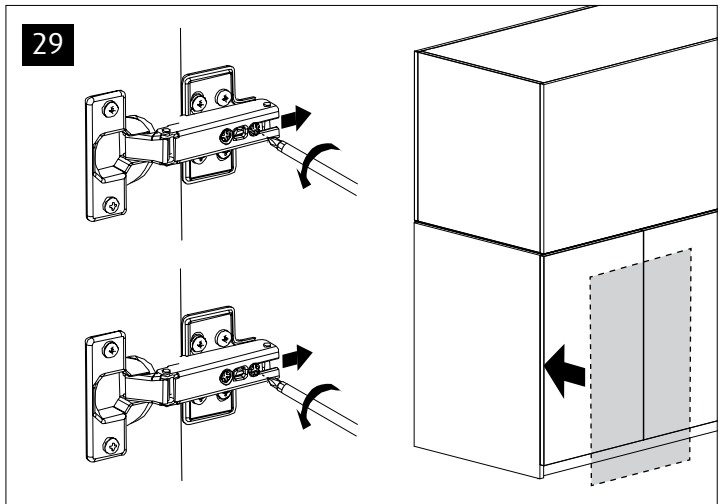
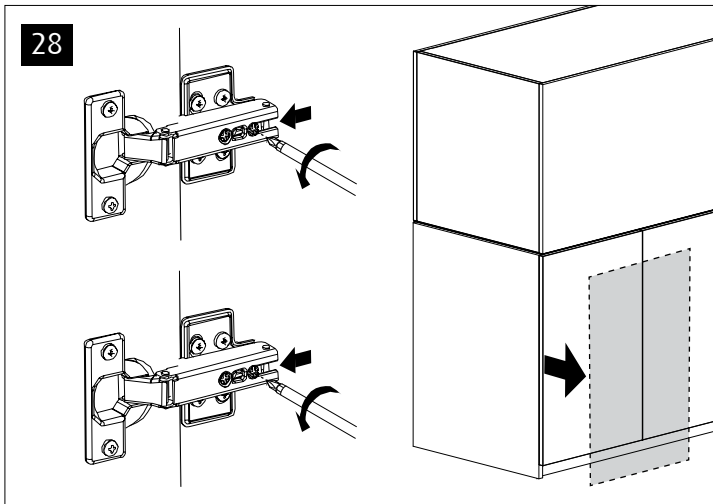
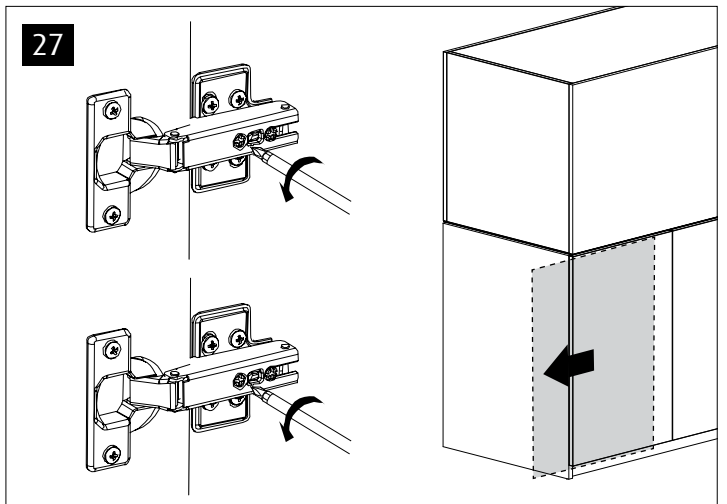
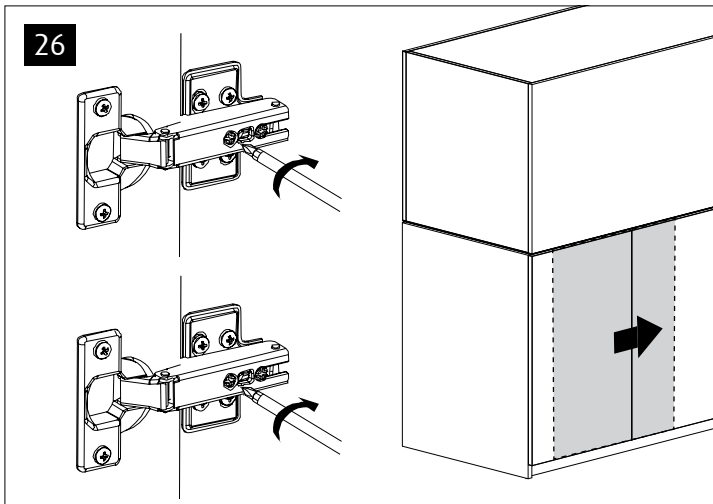
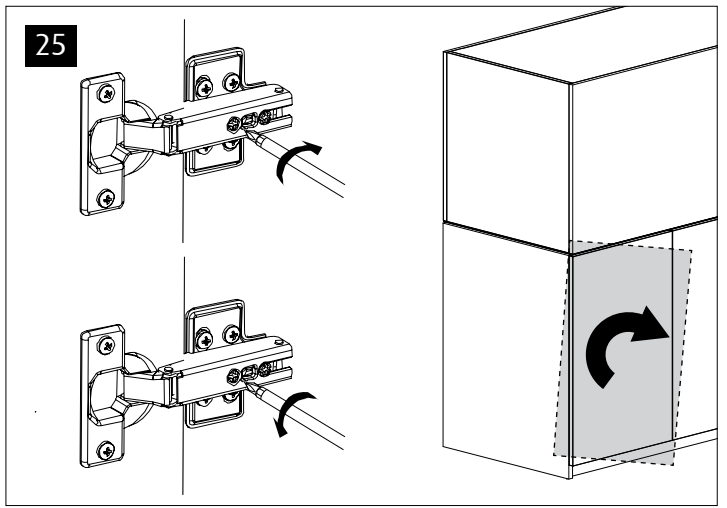
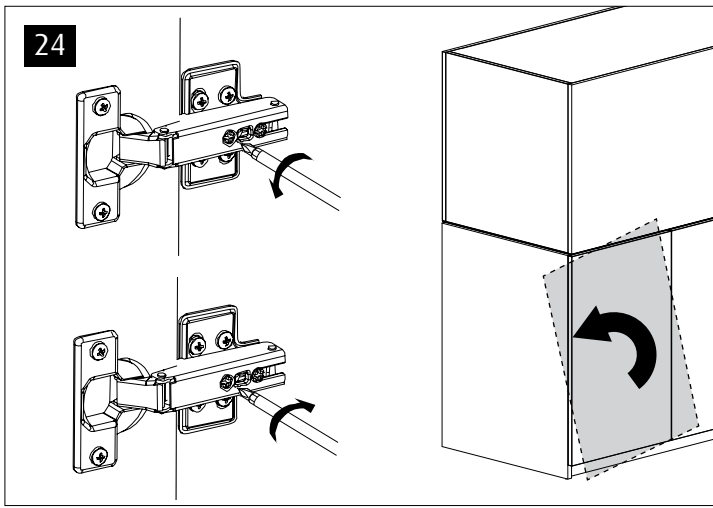


L		x4
M		x41
N		x55
V1	 ST4x16	x24
P		x41
R		x2
Q		x41
S2		x2
V3	 ST5x35	x6
W		x6
V2	 ST3.5x14	x4









**Europe**

Red Sea Europe  
655 Rue des Frères Lumière  
27130 Verneuil d'Avre et d'Iton,  
France  
[support.fr@redseafish.com](mailto:support.fr@redseafish.com)

**UK & Ireland**

Red Sea Aquatics (UK) Ltd  
PO Box 1237  
Cheddar, BS279AG  
[uk.info@redseafish.com](mailto:uk.info@redseafish.com)

**North America**

Red Sea U.S.A & Canada  
4687 World Houston  
Parkway #200  
Houston, TX 77060  
[support.usa@redseafish.com](mailto:support.usa@redseafish.com)

**Germany & Austria**

Red Sea Deutschland  
Prinzenallee 7 (Prinzenpark)  
40549 Düsseldorf  
[support.de@redseafish.com](mailto:support.de@redseafish.com)

**Red Sea Aquatics (GZ) Ltd**

Block A3, No.33 Hongmian Road,  
Xinhua Industrial Park,  
Huadu District, Guangzhou City,  
China, Postal code 510800  
Tel: +86-020-6625 3828  
[info.china@redseafish.com](mailto:info.china@redseafish.com)

  
[www.redseafish.com](http://www.redseafish.com)