

# Red Sea REEFER™

625 G2+

---

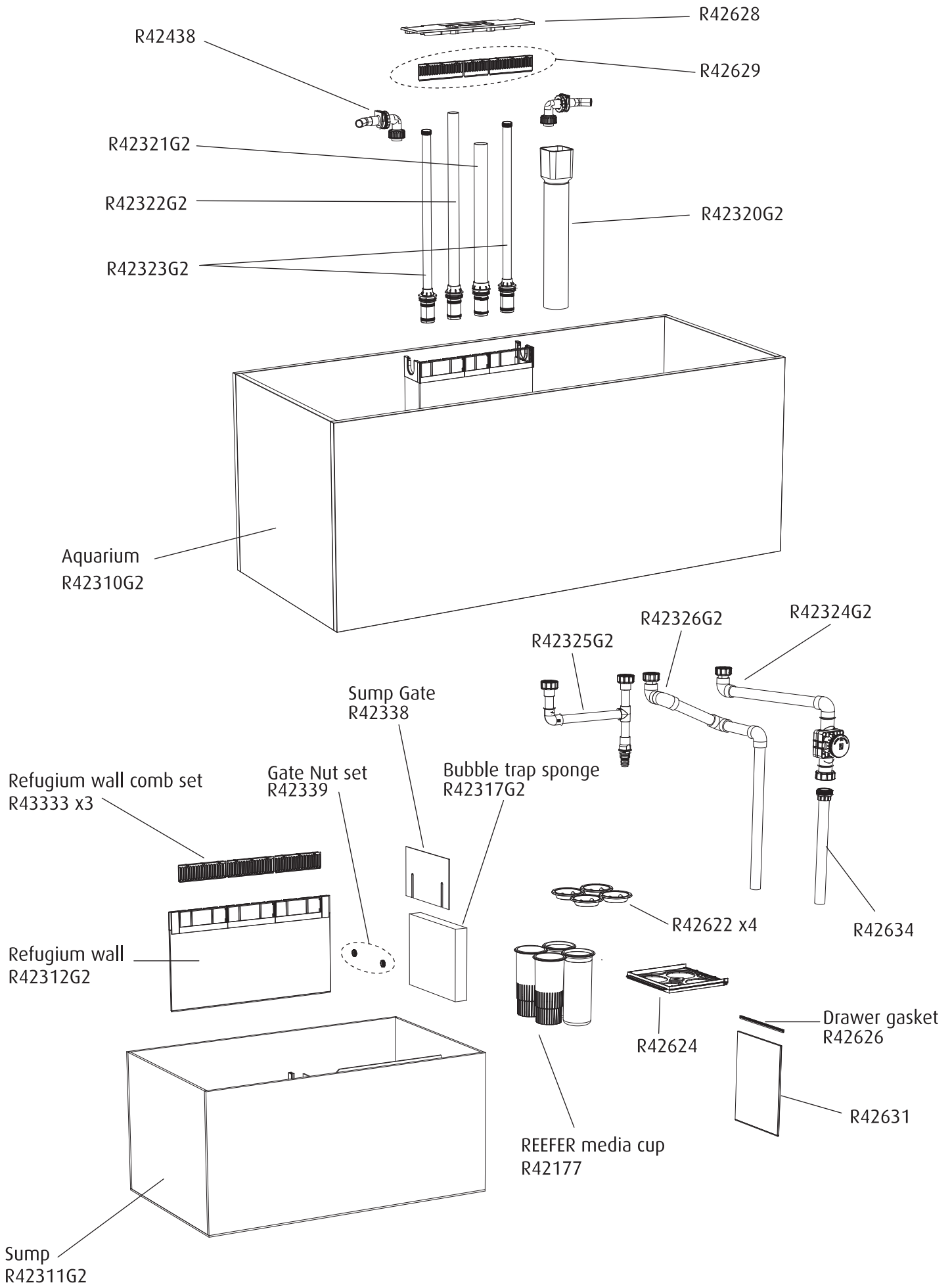
Aquarium & Cabinet Assembly Manual



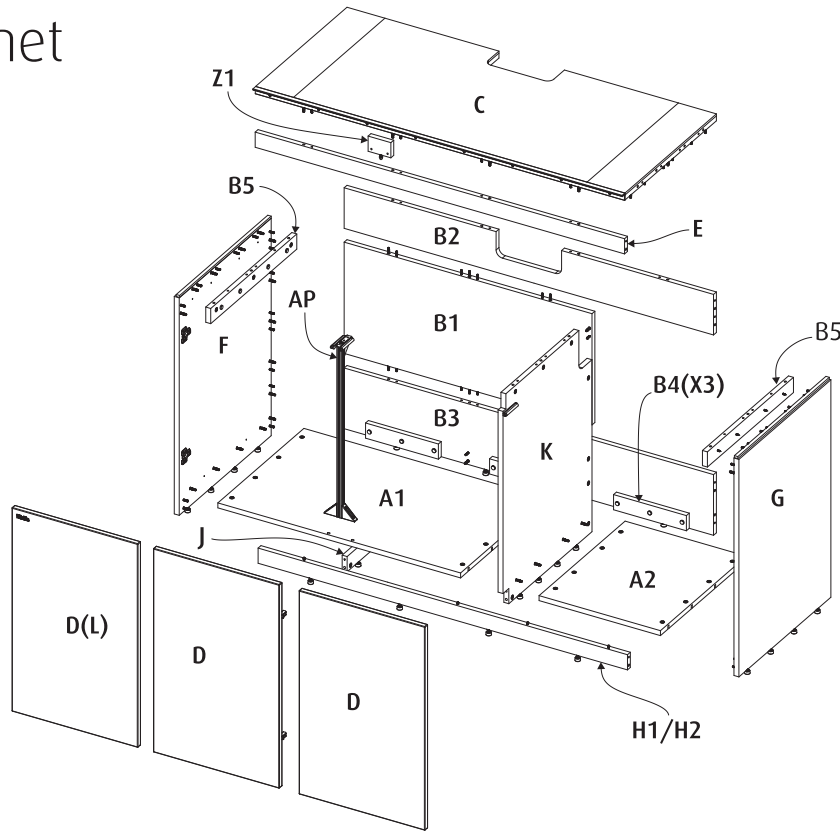
Resource & Support Center:  
[www.redseafish.com/support/](http://www.redseafish.com/support/)



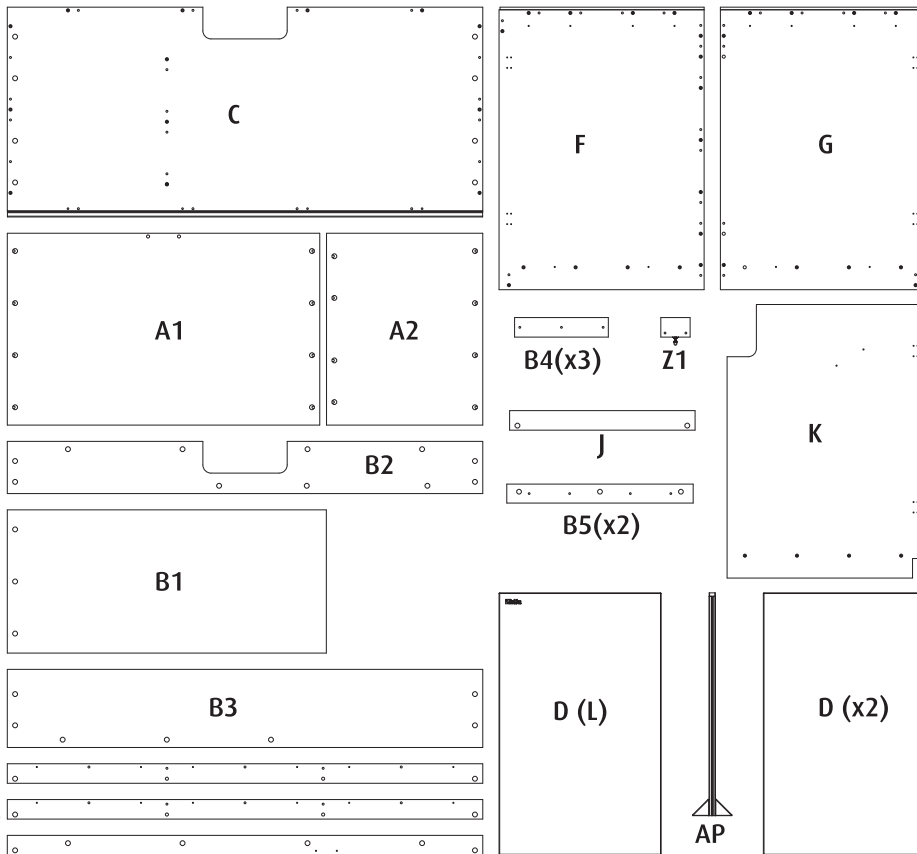
# Aquarium Water Management System



# Cabinet

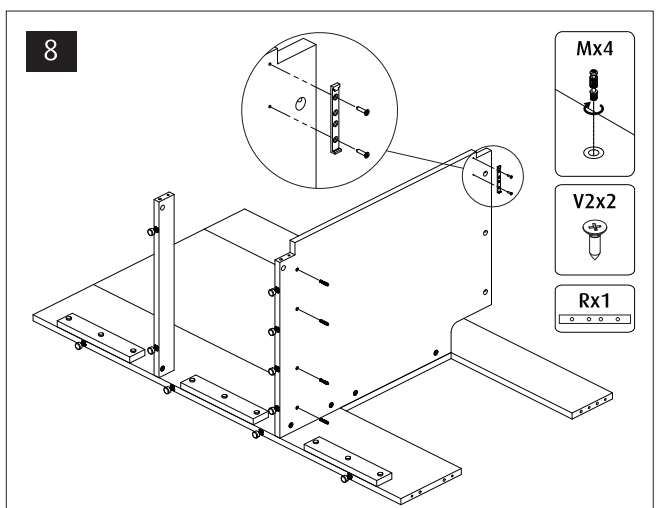
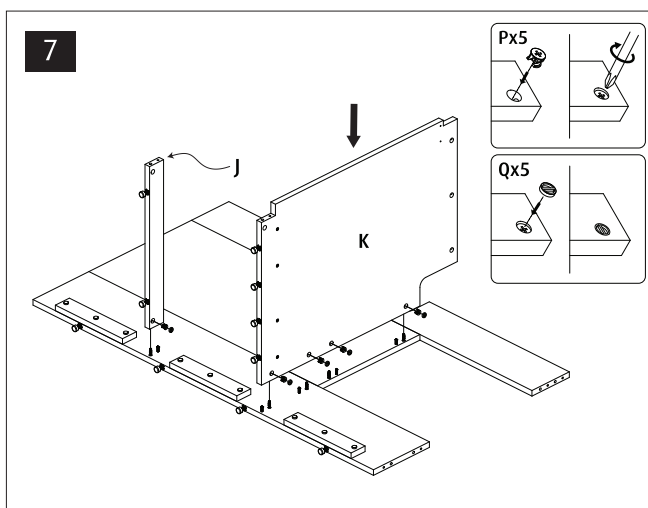
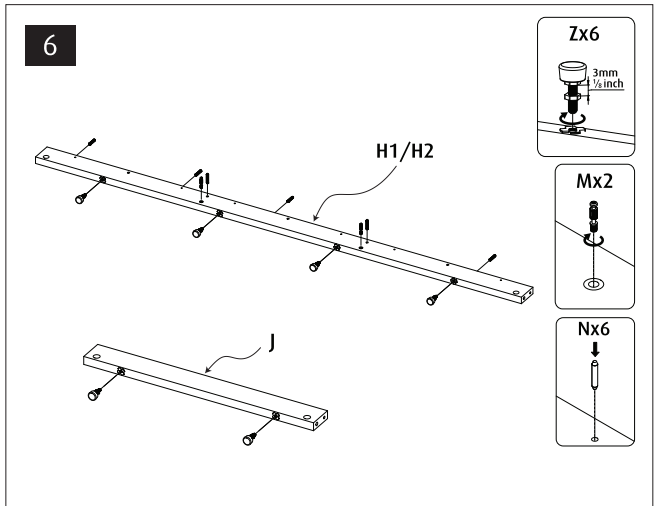
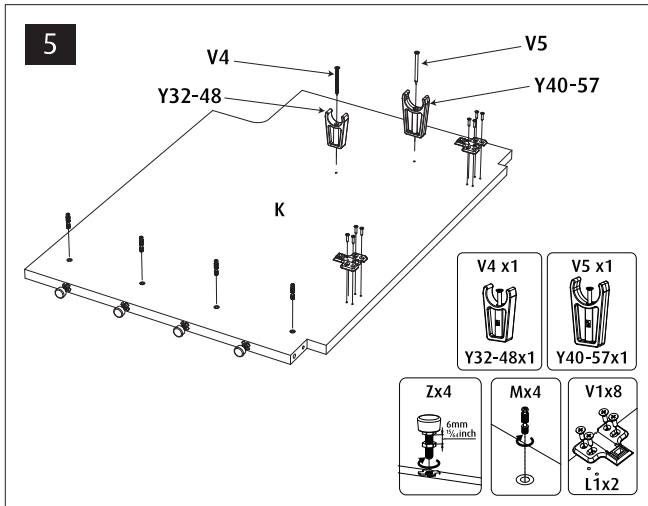
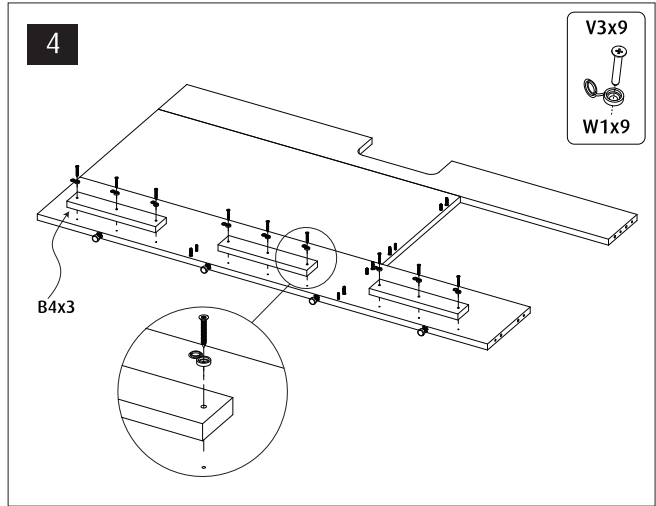
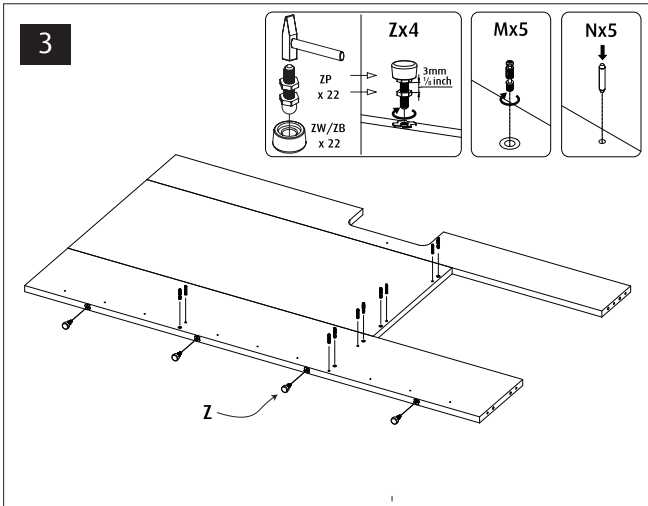
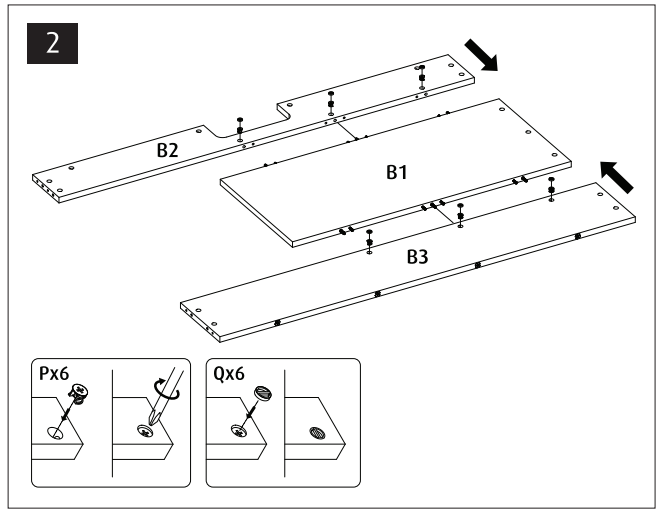
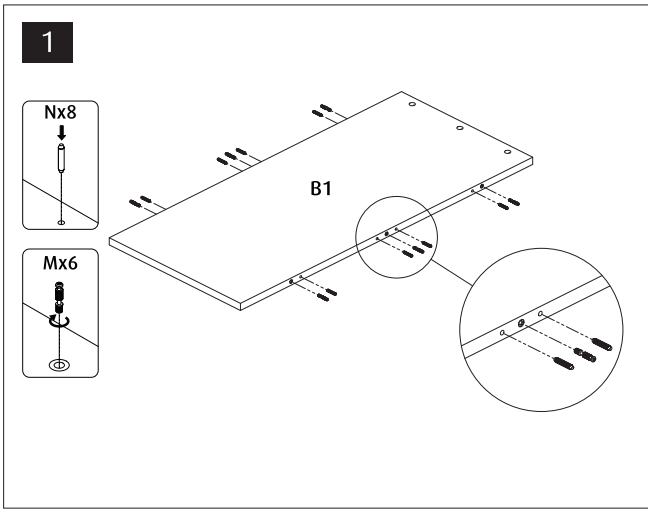


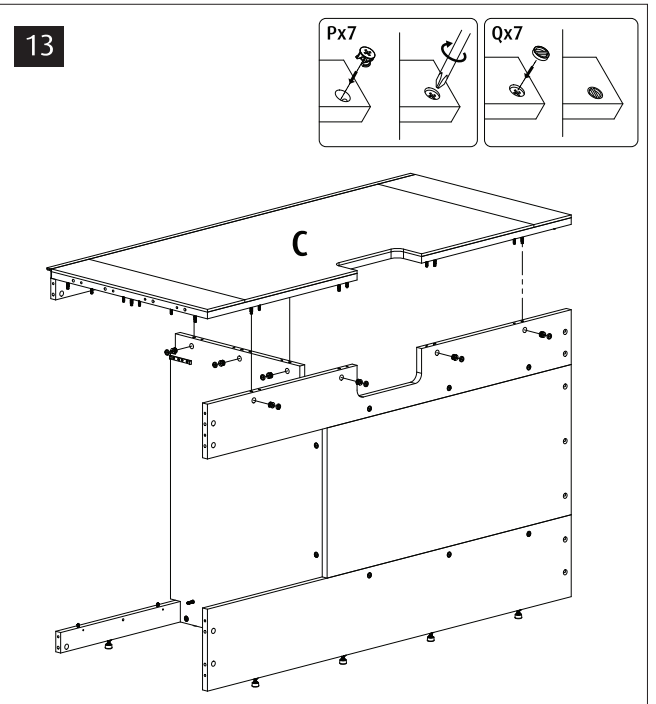
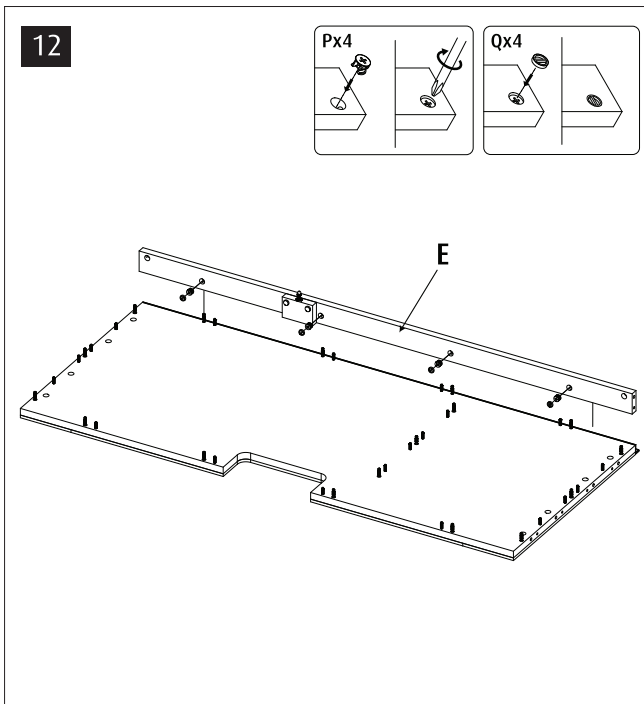
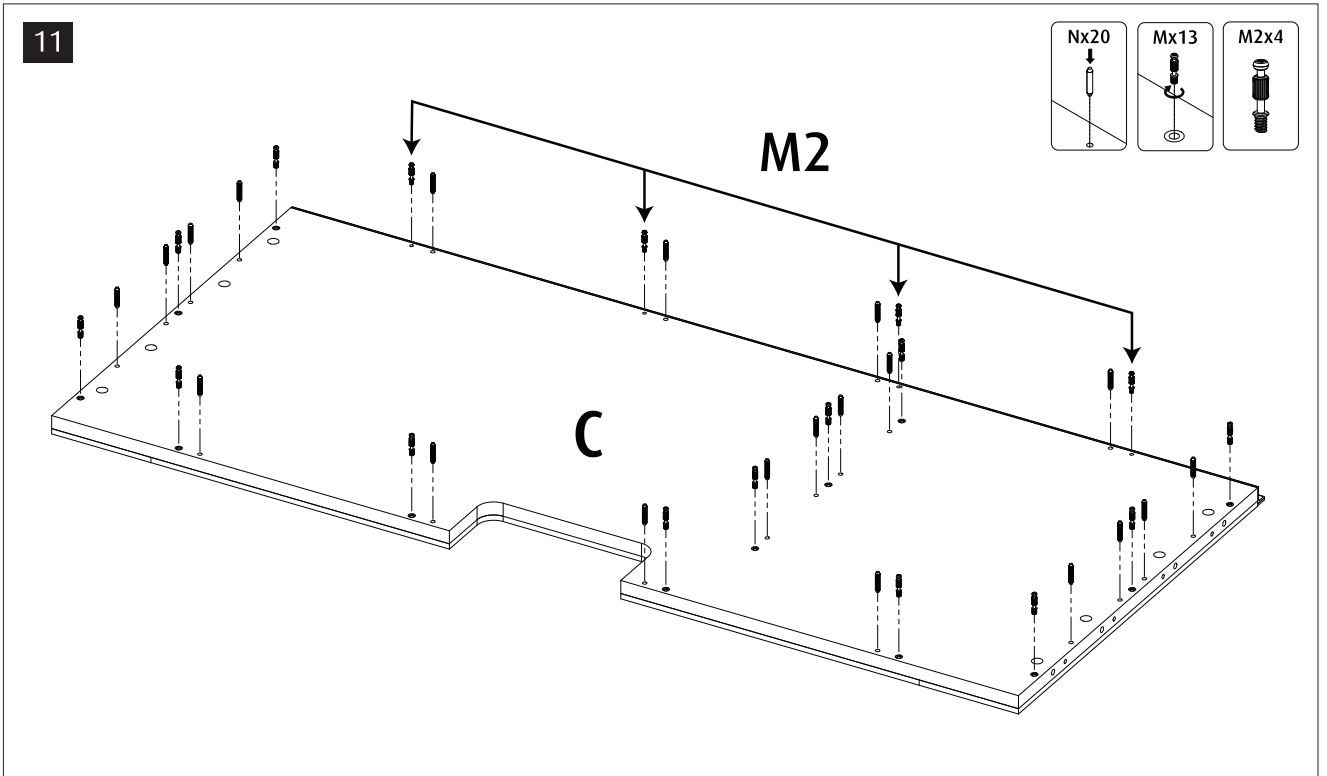
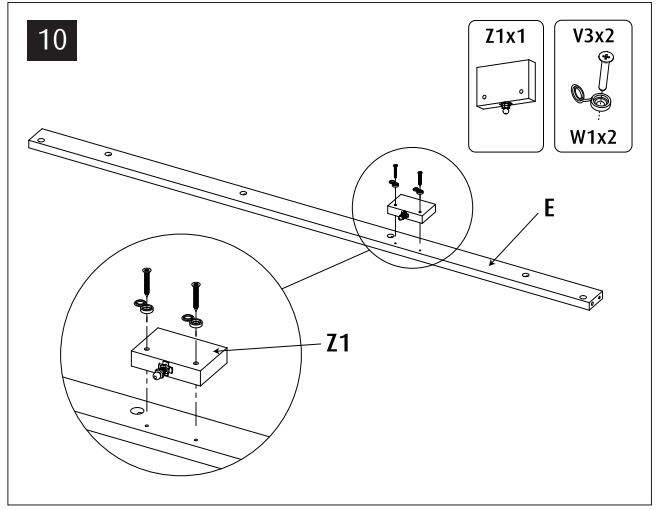
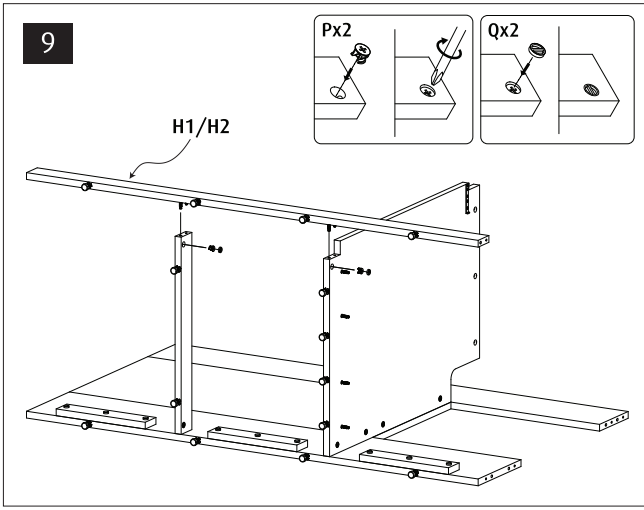
L1		L2		6
N				63
M				65
M2				4
P				69
Q				69
R				1
S				3
T1				1
T2				3
V1		ST4x16		36
V2		ST3.5x14		2
V3		ST5x35		19
V4		ST5x60		1
V5		ST5x70		1
V6		M5X10		1
V7		M6X10		2
W1				19
Y40-57				1
Y32-48				1
Z1				1
ZP		ZW	ZB	22

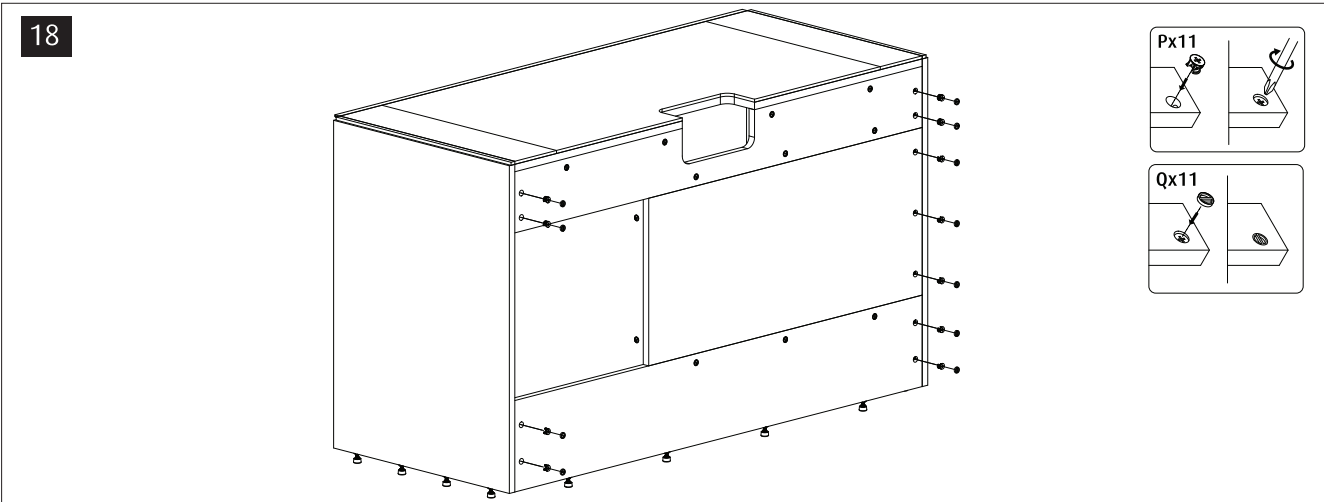
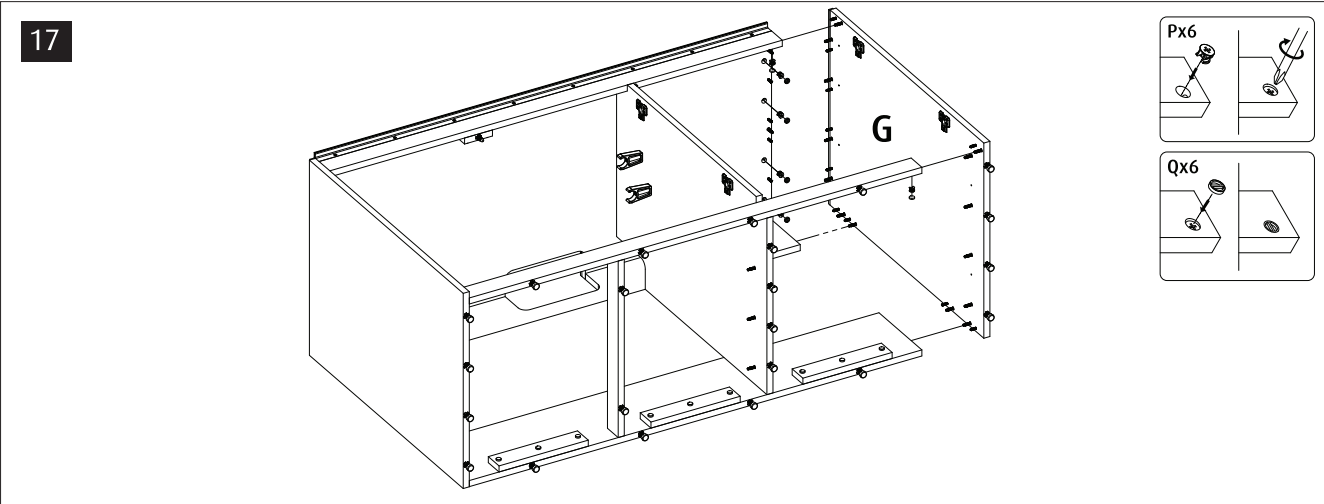
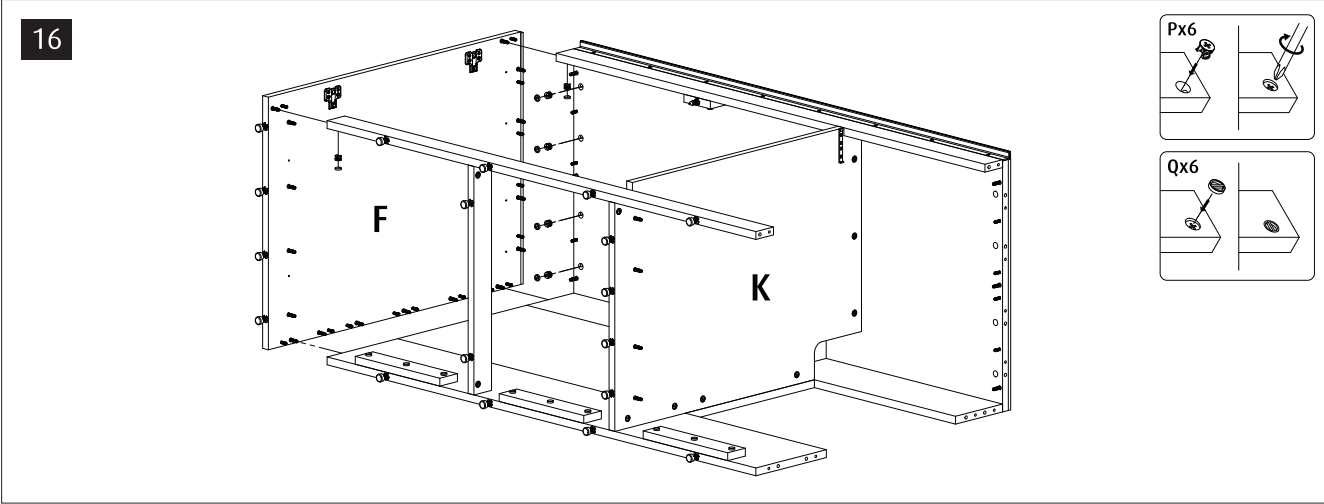
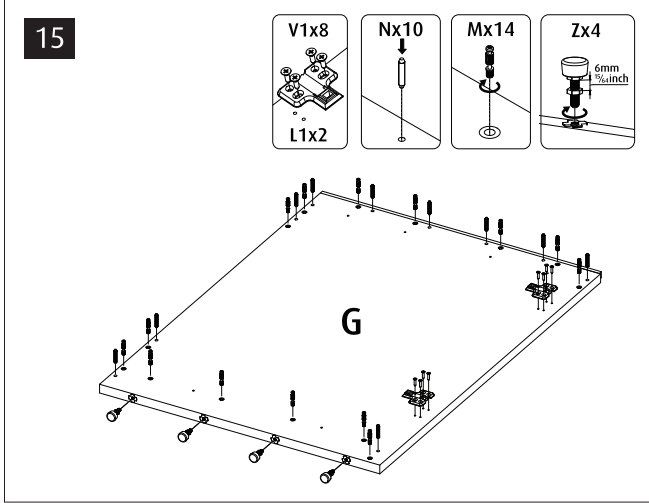
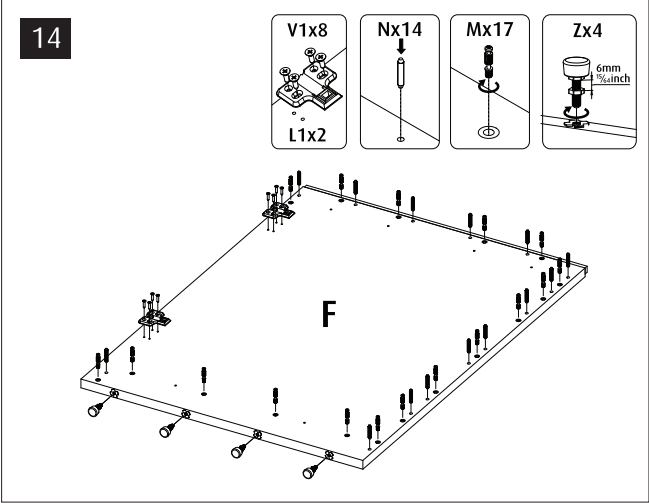


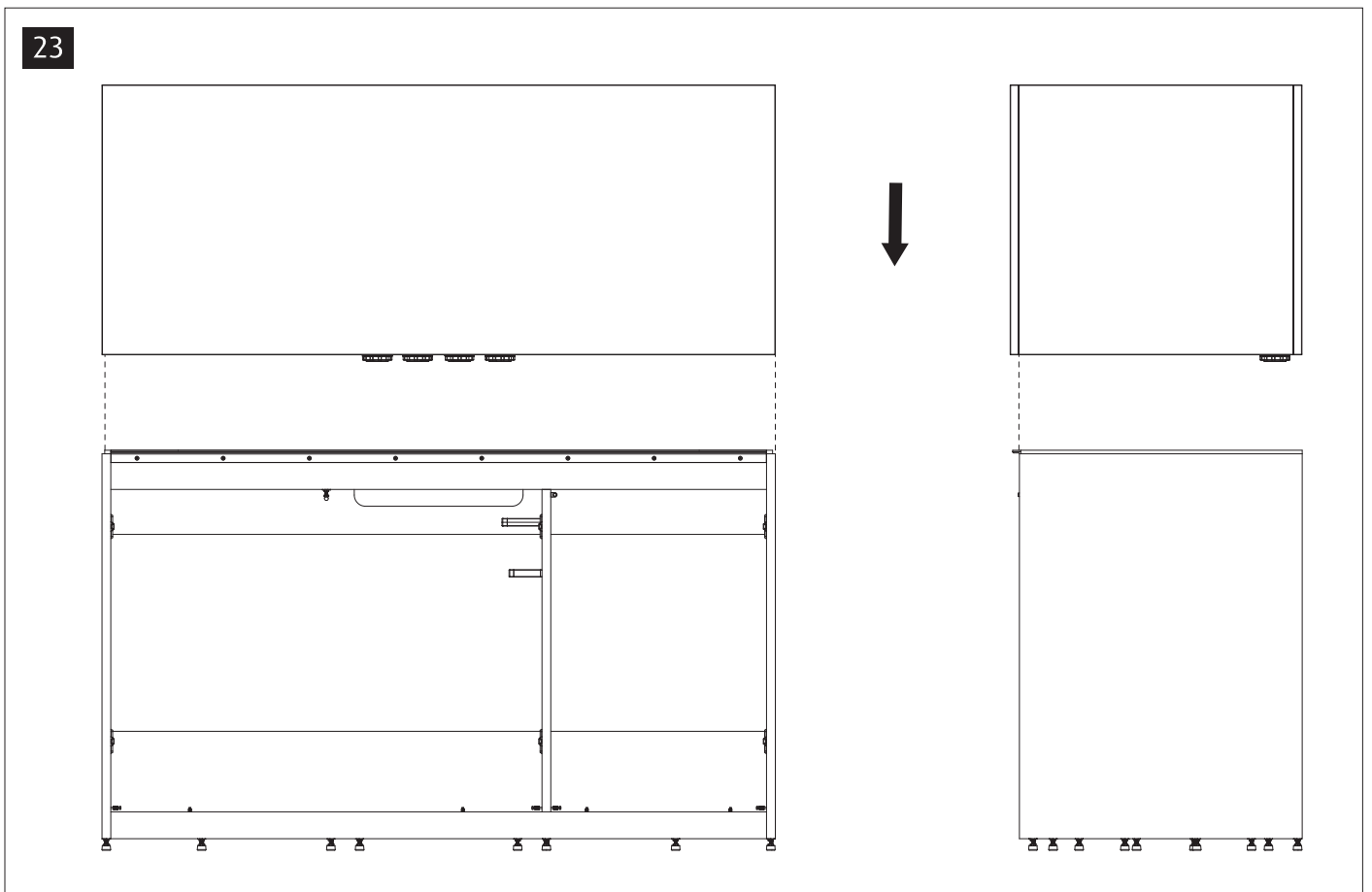
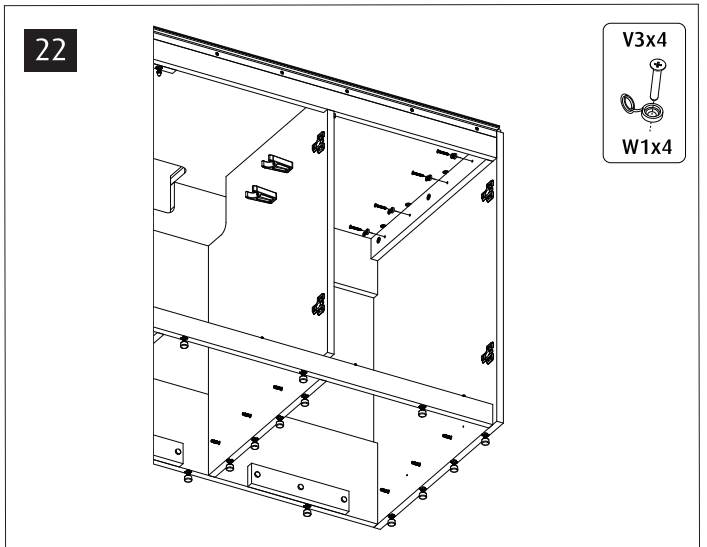
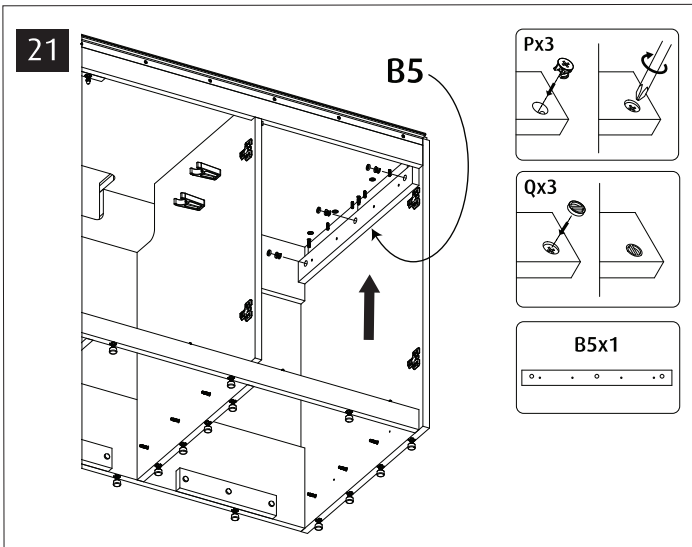
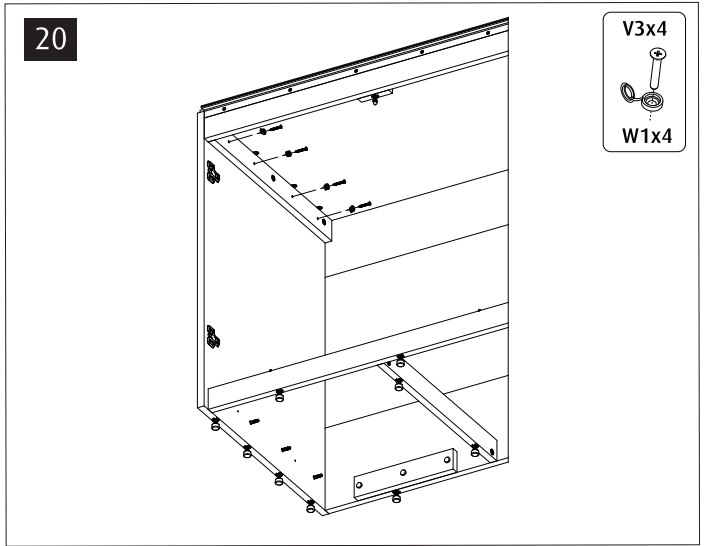
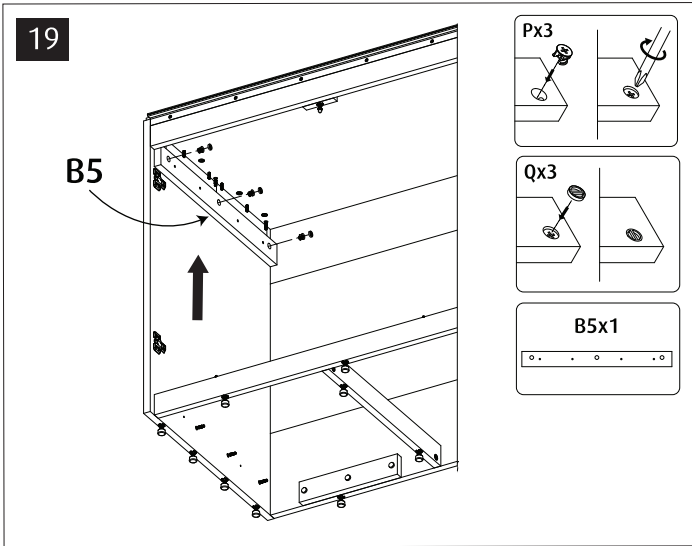
625 G2	Black	White	Part Description
A1	6138A-B	6138A-B	Cabinet Bottom sump
A2	6139A-B	6139A-B	Cabinet Bottom Chiller
AP	R42495	R42495	Reefer Cabinet front support
B1	5304A-B	5304A-B	Cabinet Rear Middle
B2	5305G2	5305G2	Cabinet Rear Top
B3	5306A-B	5306A-B	Cabinet Rear Bottom
B4	6132B	6132B	Cabinet Rear Base support x3
B5	7429G2	7429G2	Cabinet Side Top support
C	6137G2	6137G2	Cabinet Top

625 G2	Black	White	Part Description
D	5307B	5307W	Cabinet Door x3
E	5309A-B	5309A-B	Cabinet Front Upper
F	7443A-B	7443A-WB	Cabinet Side Left (Packed with Doors)
G	7444A-B	7444A-WB	Cabinet Side Right (Packed with Doors)
H1	5303A-B	5303A-B	Cabinet Sockel Blk
H2	5303A-WB	5303A-WB	Cabinet Sockel Wht
J	6135B	6135B	XXL Cabinet Base Mid Support
K	7440G2	7440G2	Cabinet Internal Wall
Z1	7582	7582	Top support plate

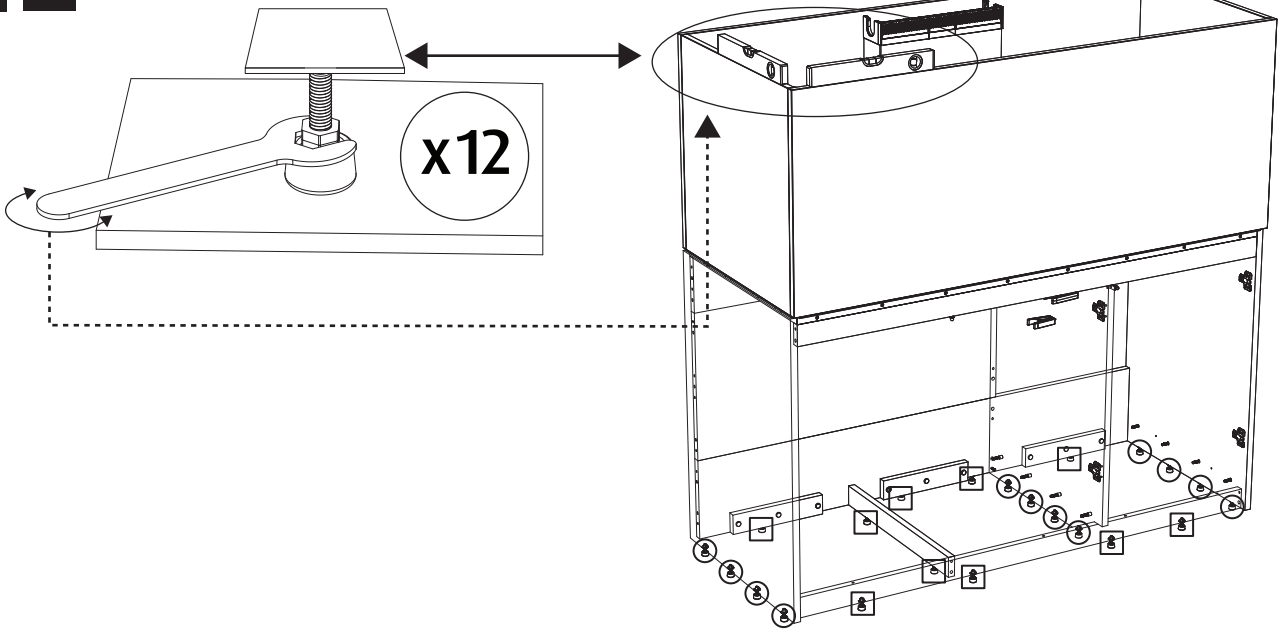








24 A



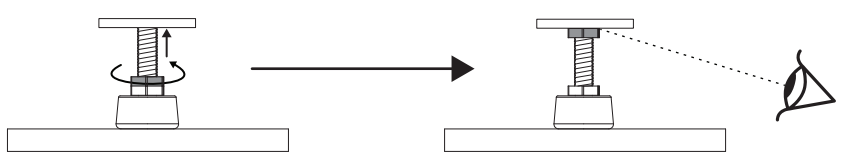
B

x10

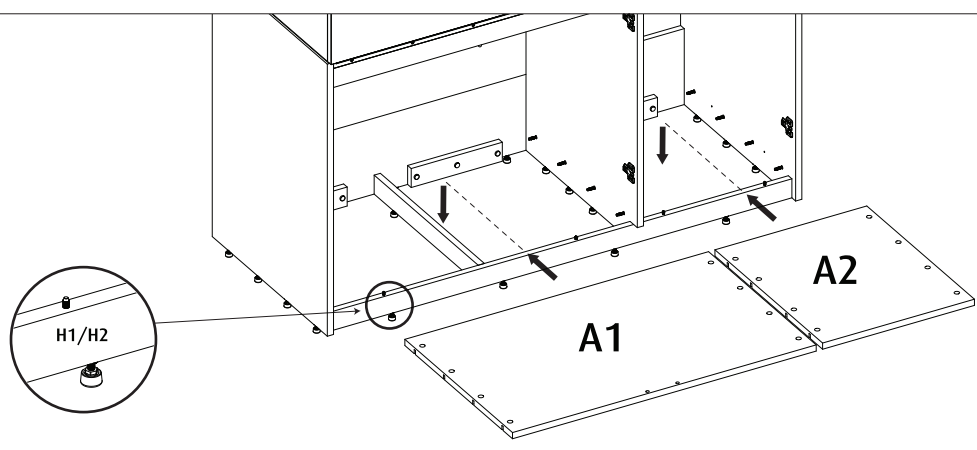


C

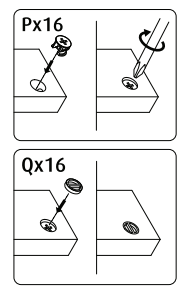
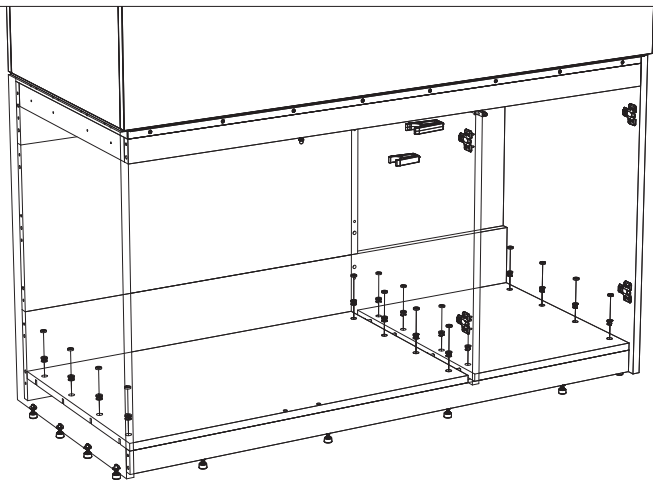
x22



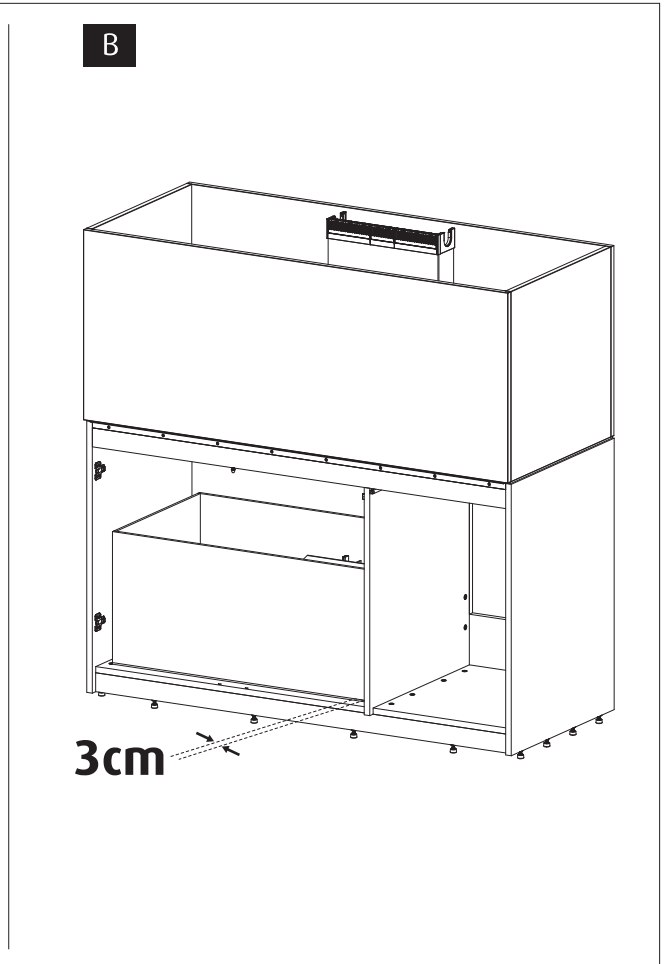
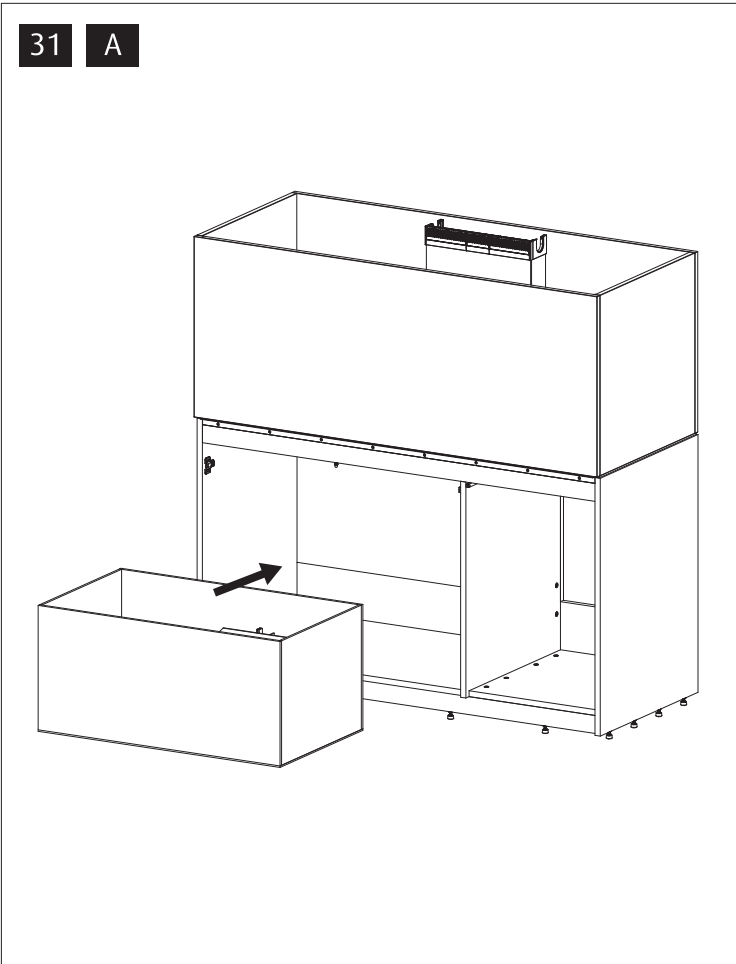
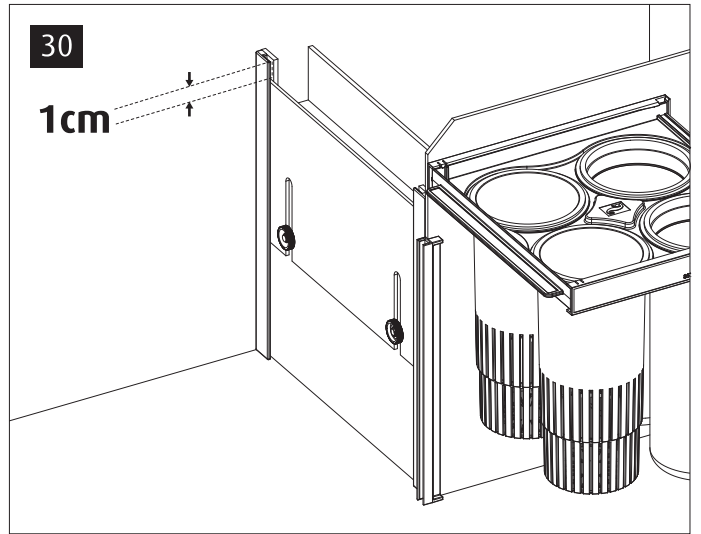
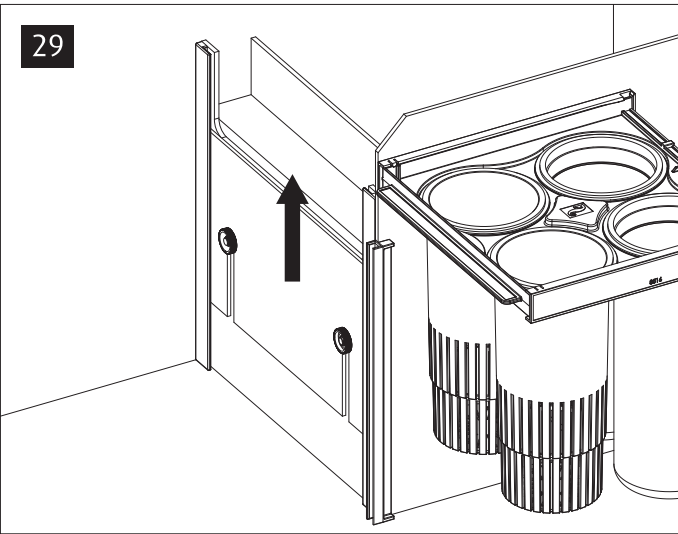
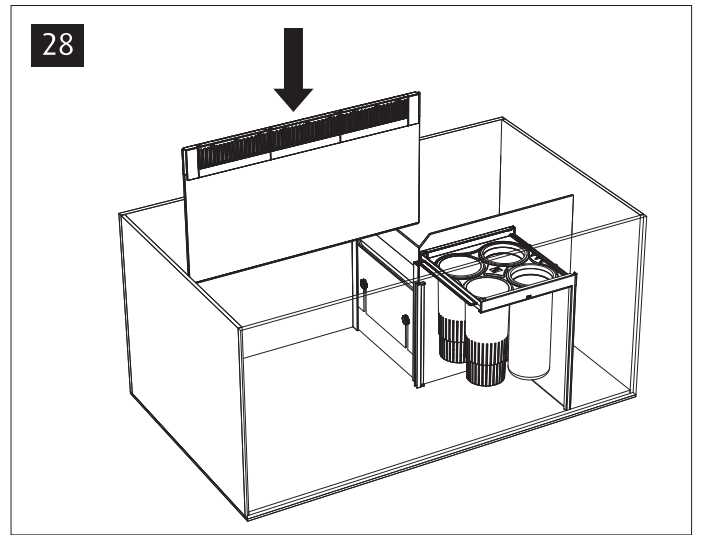
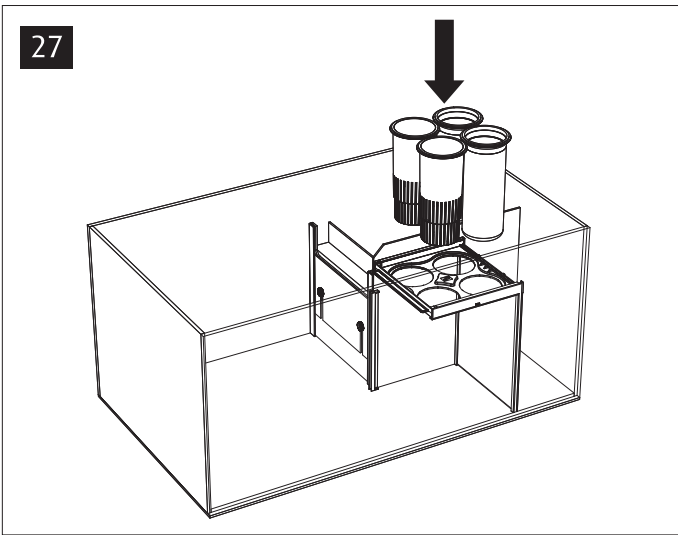
25



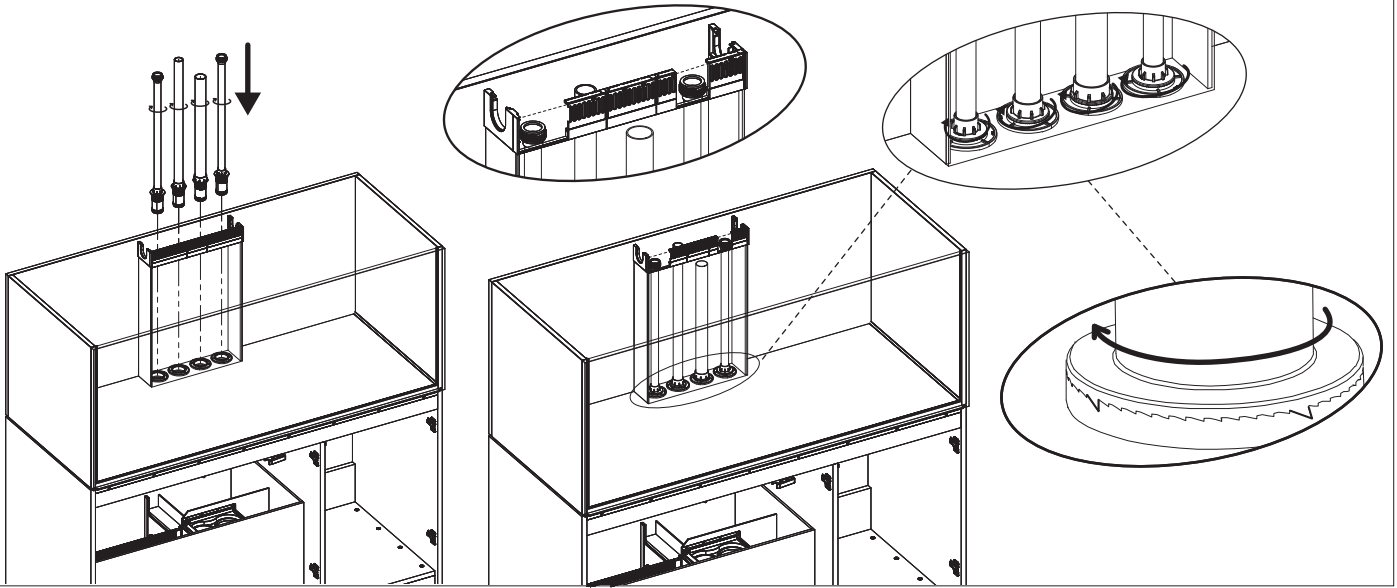
26



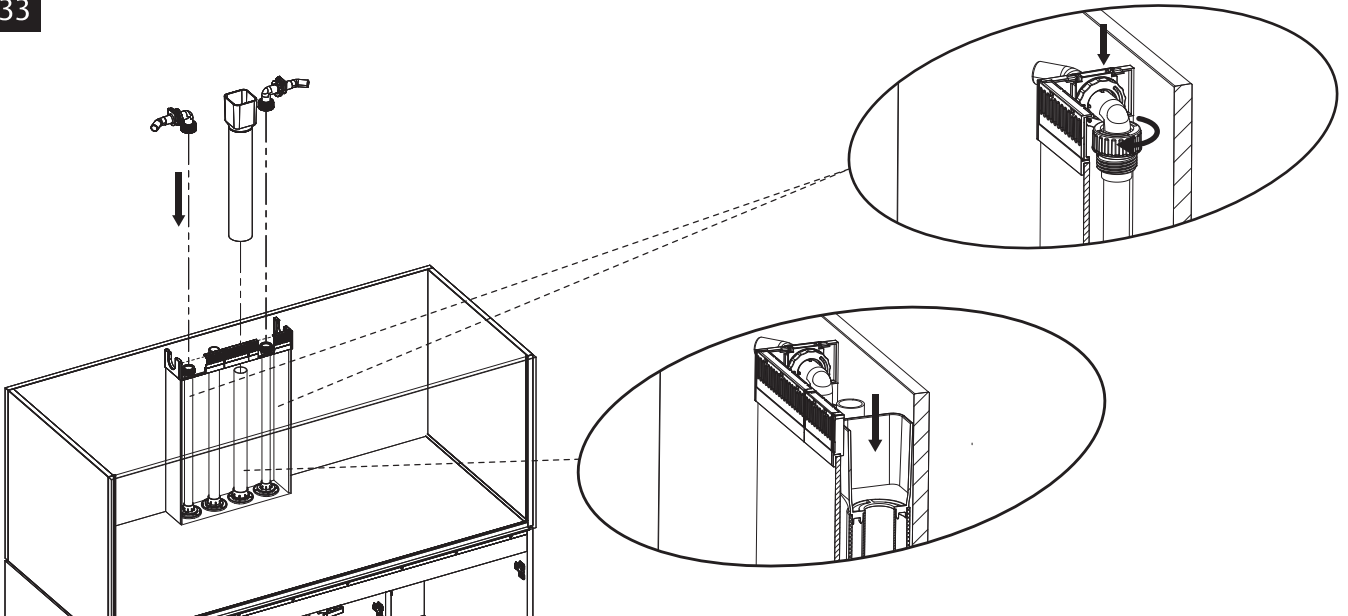




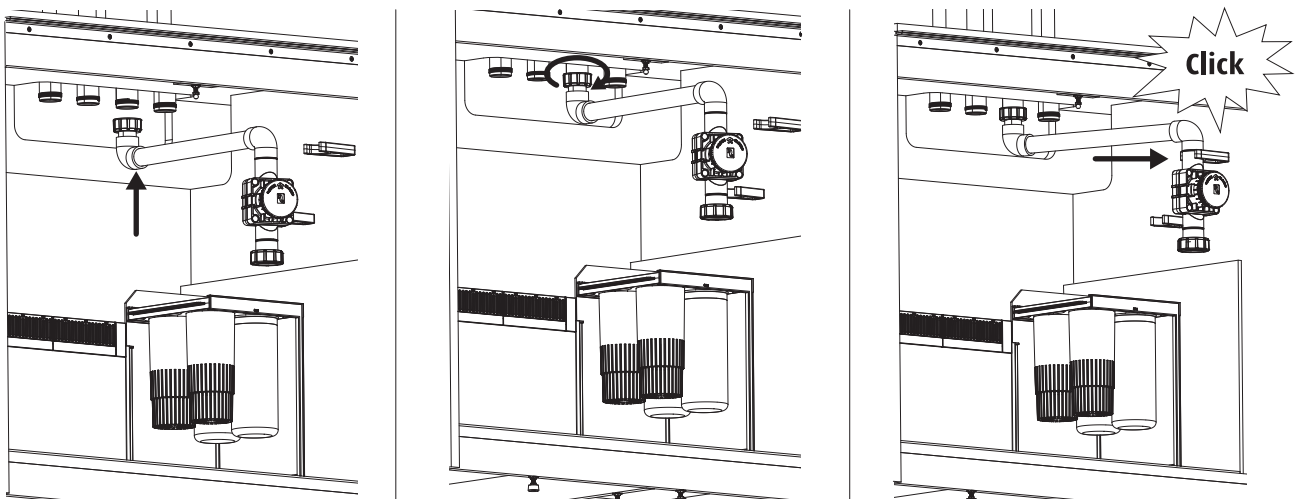
32



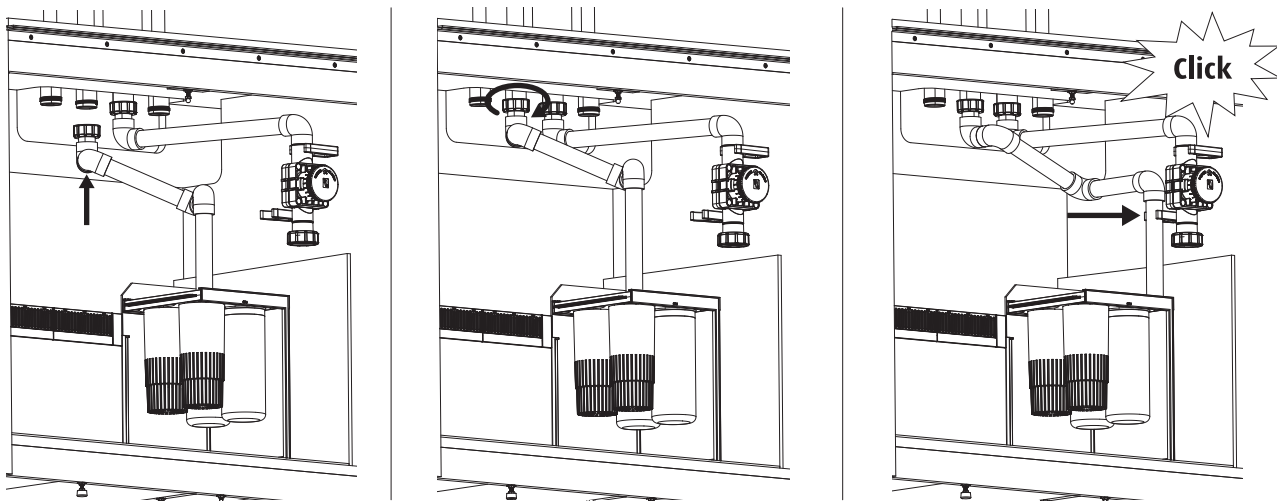
33



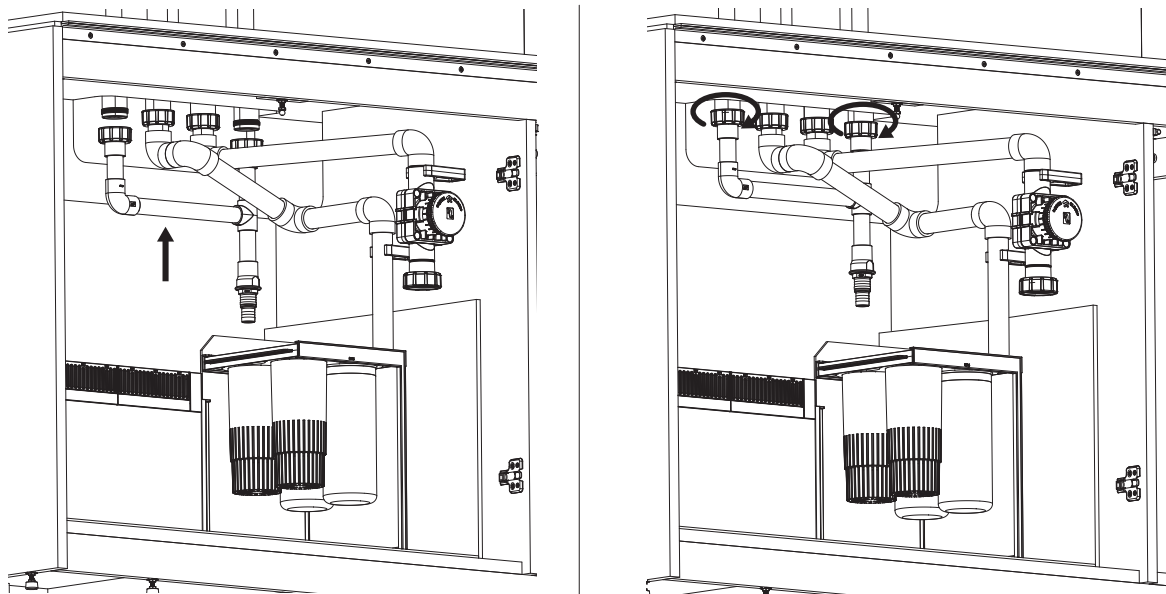
34



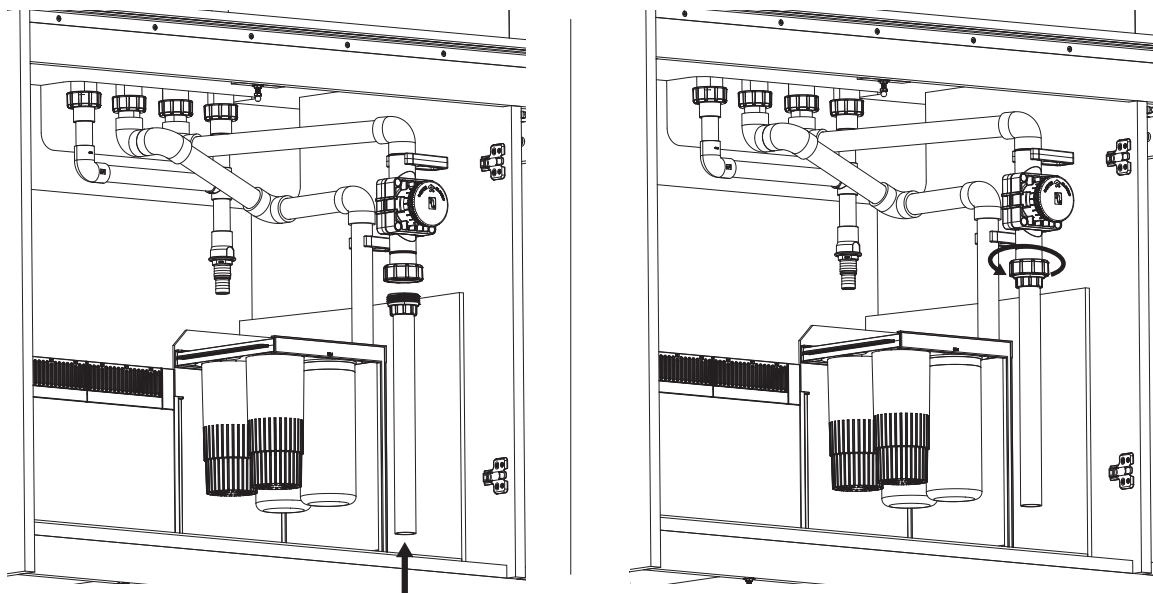
35

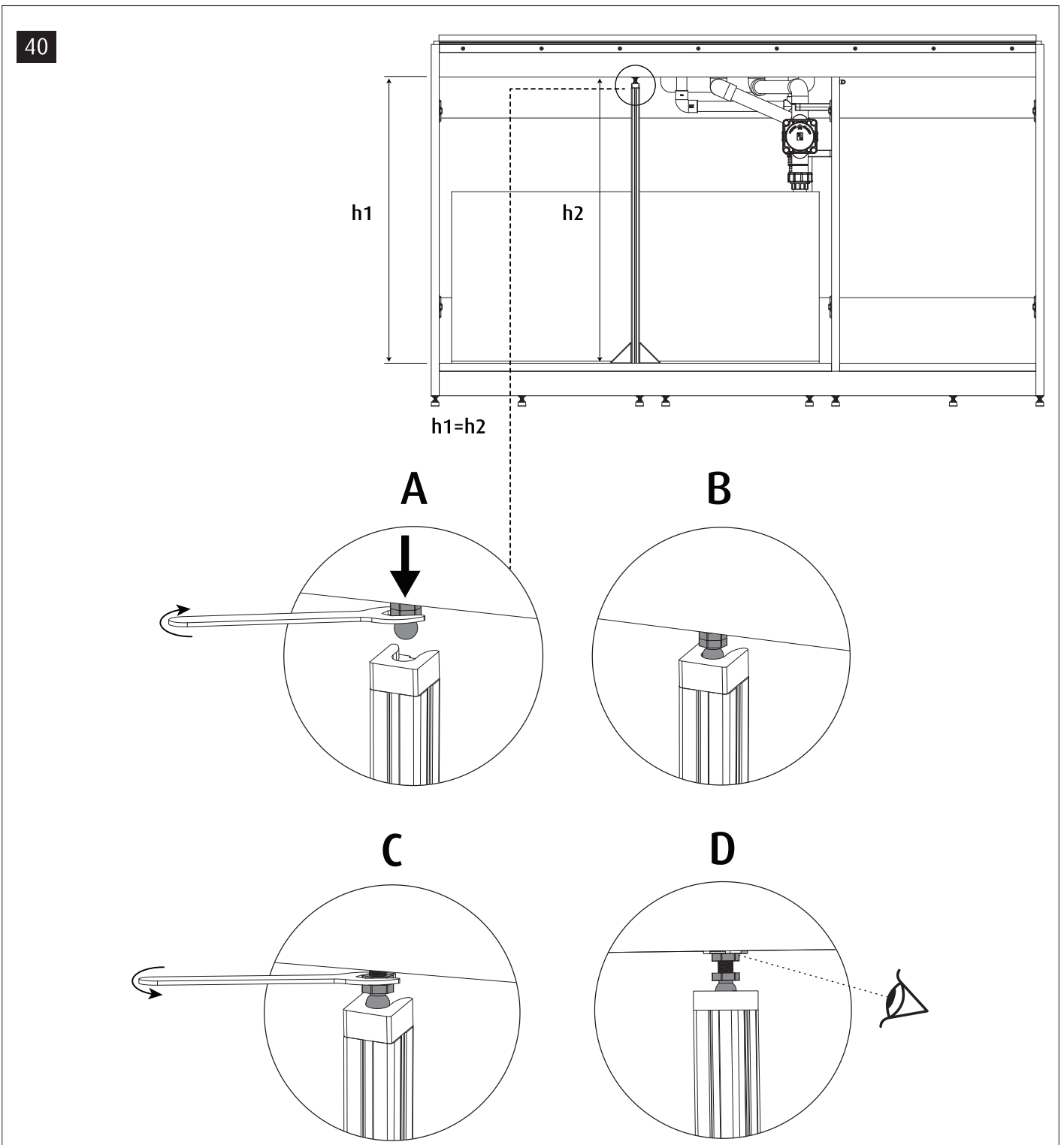
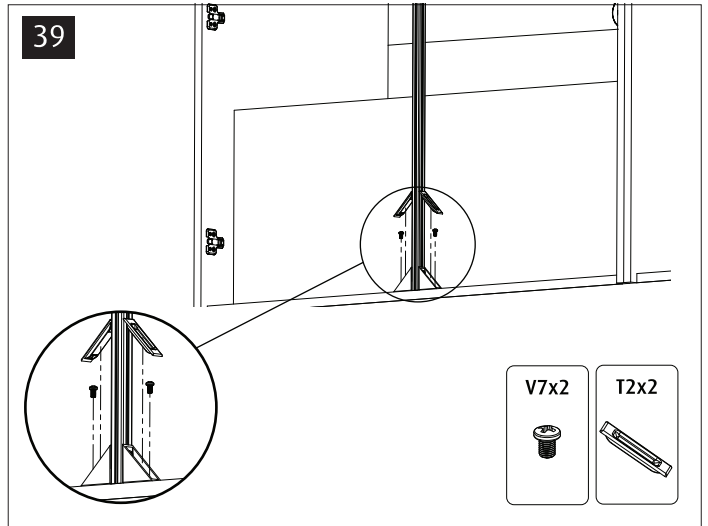
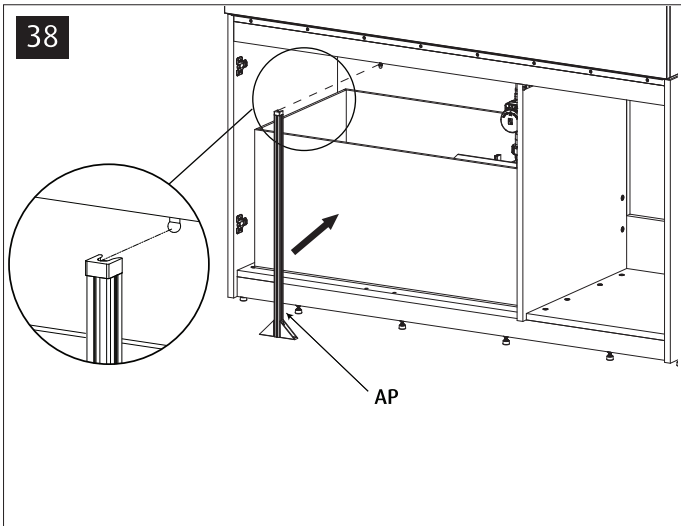


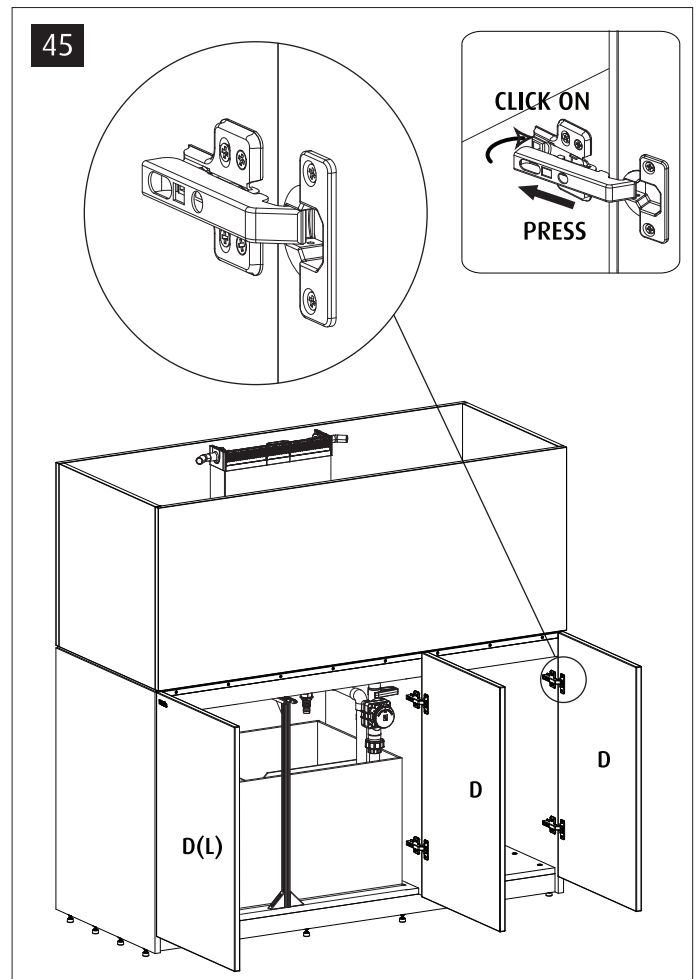
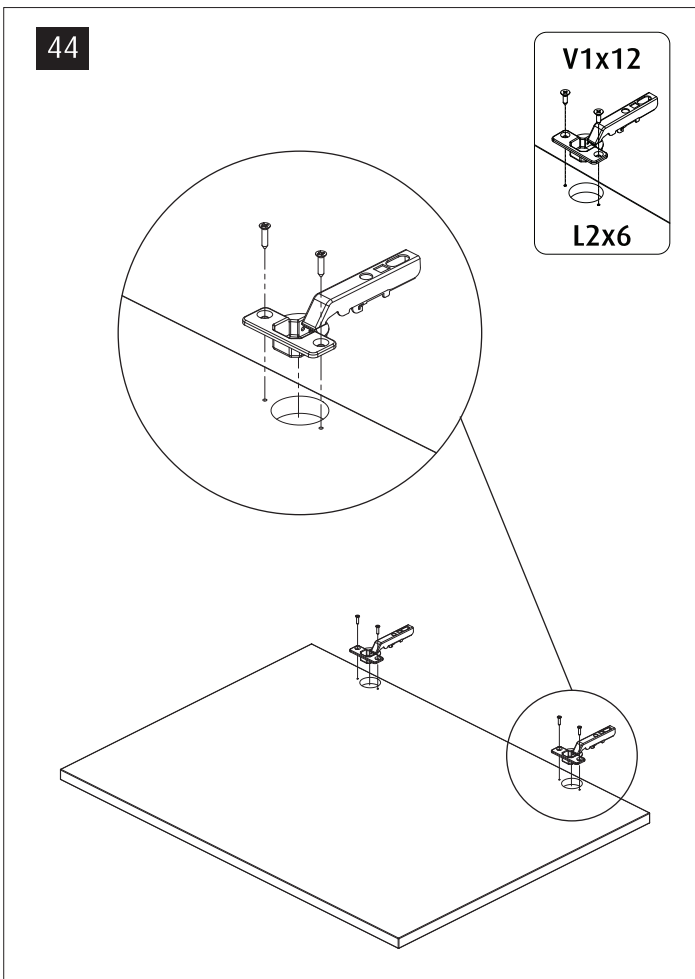
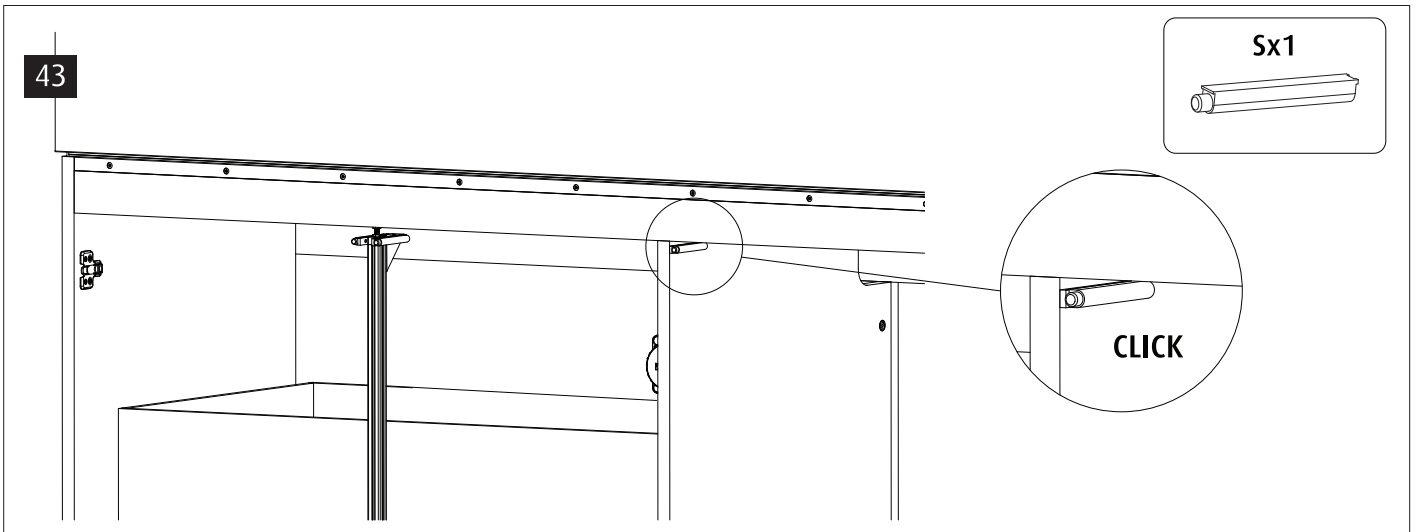
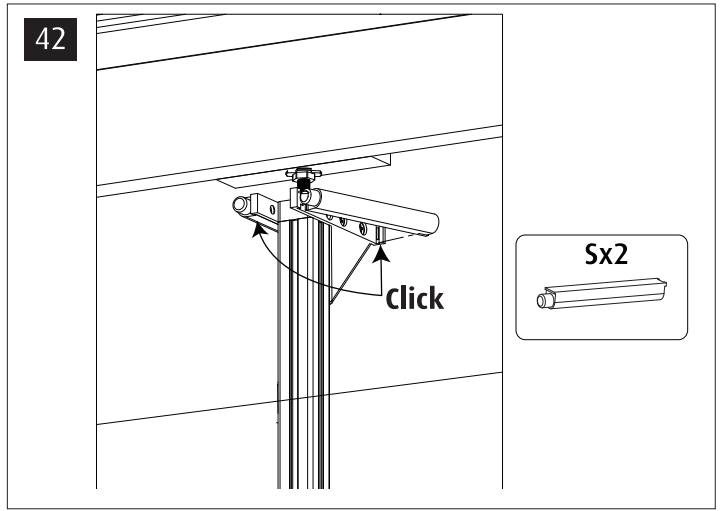
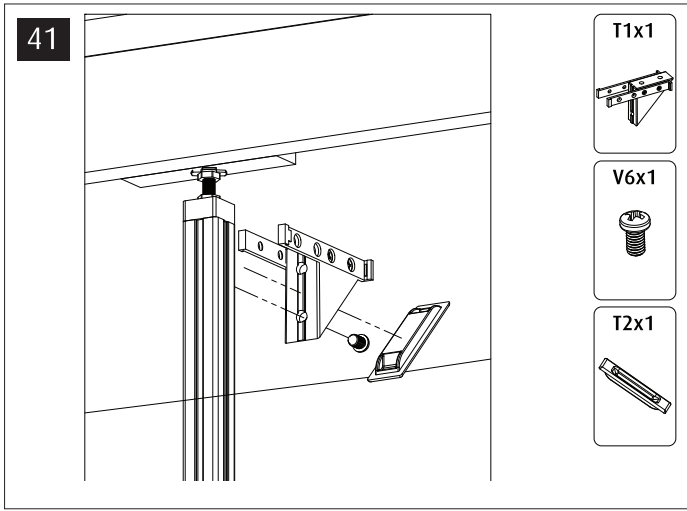
36

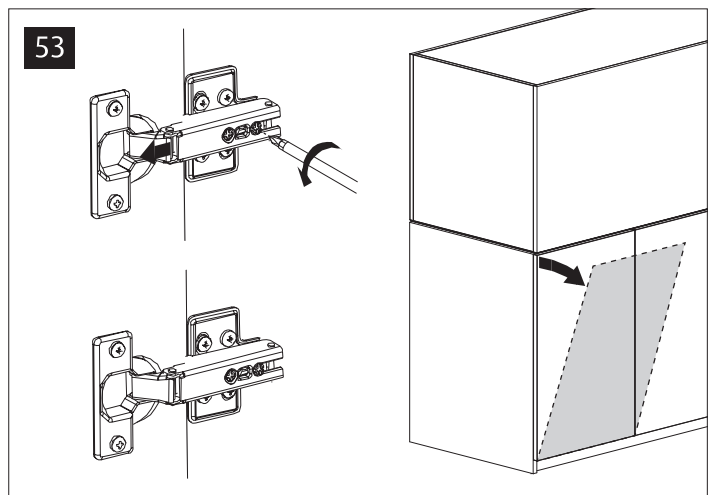
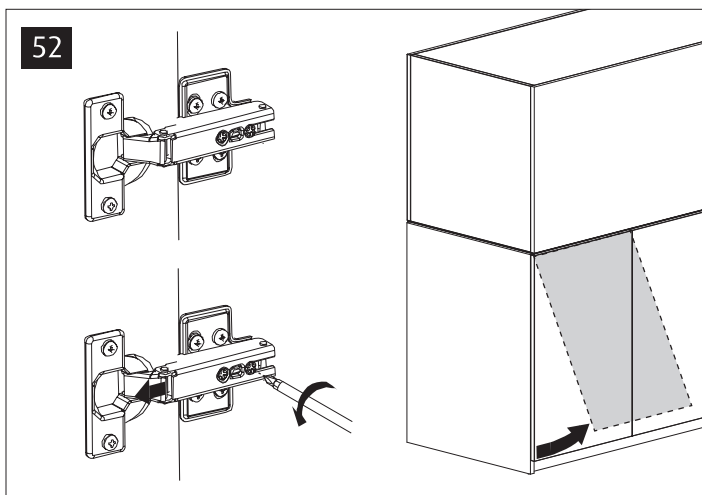
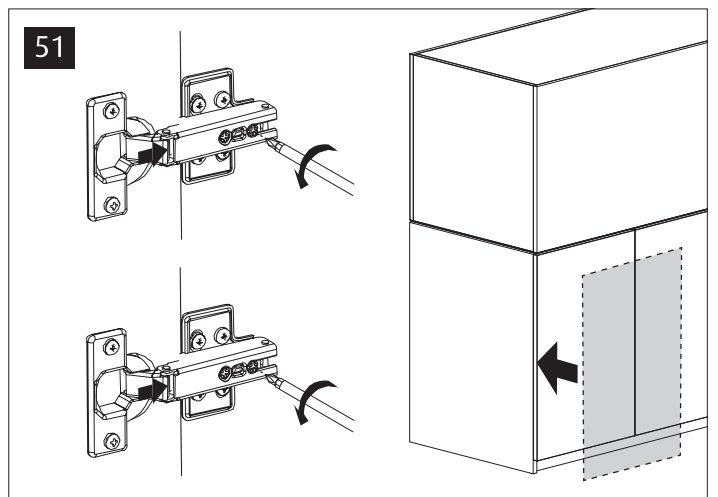
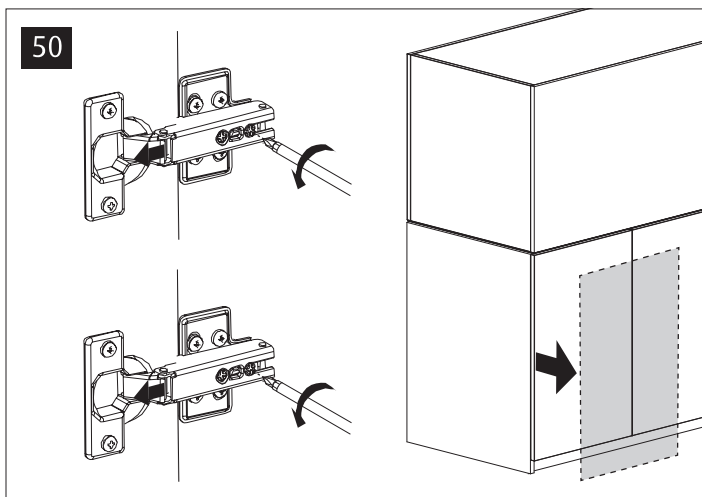
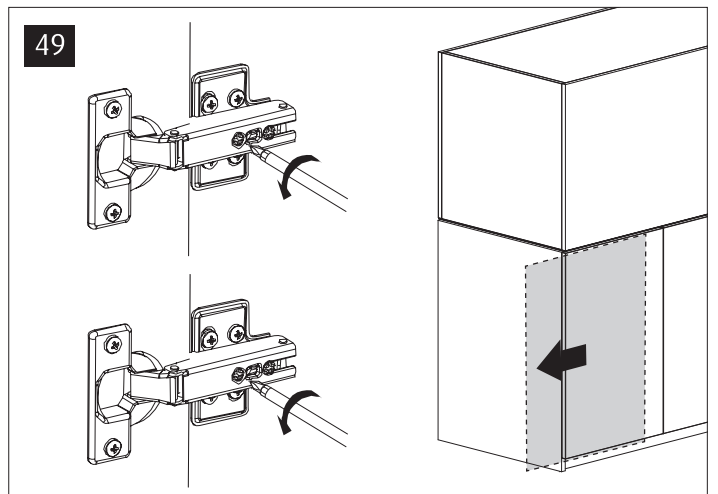
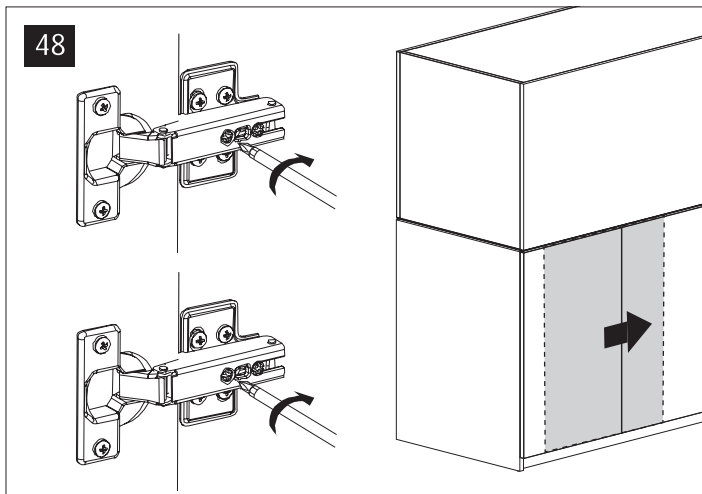
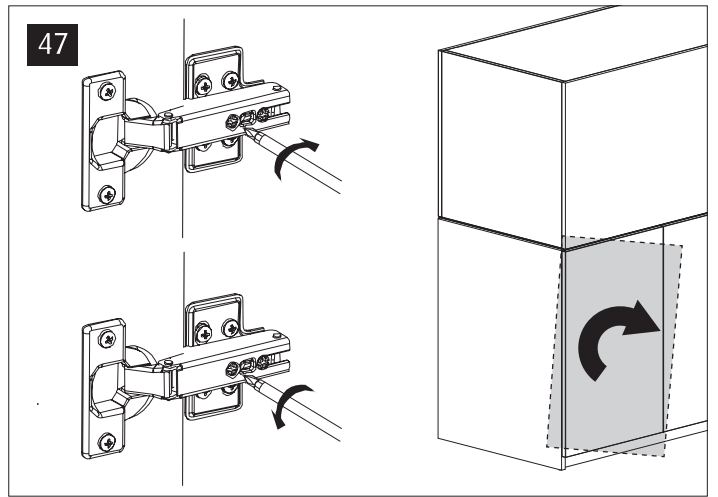
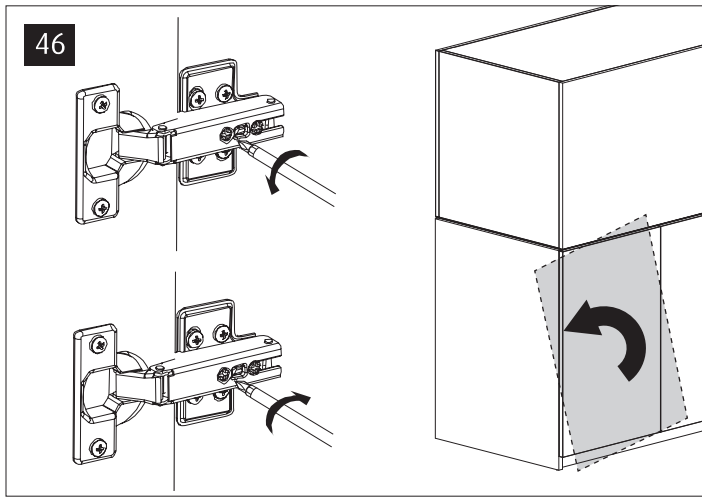


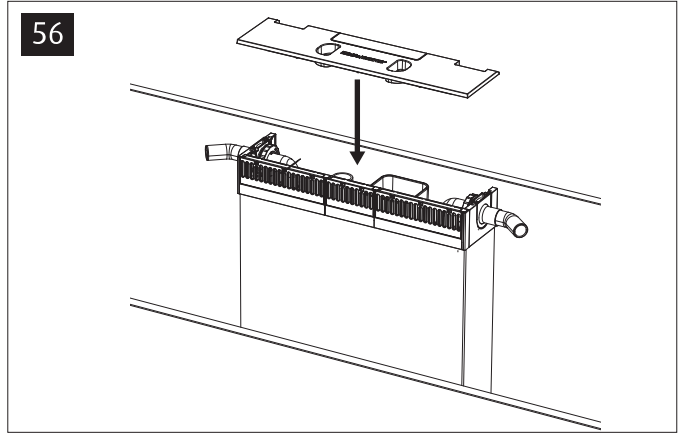
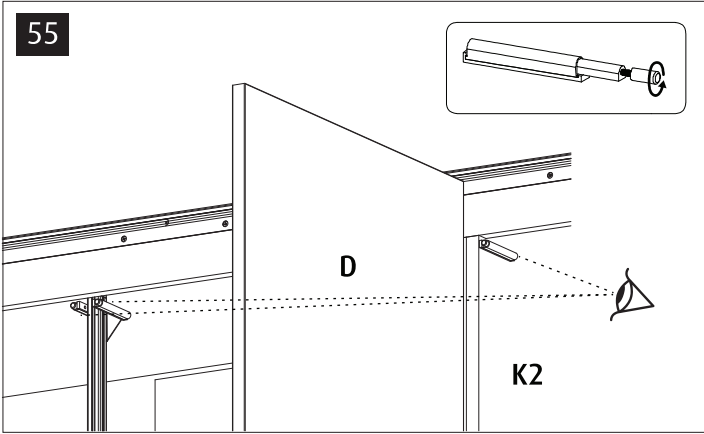
37



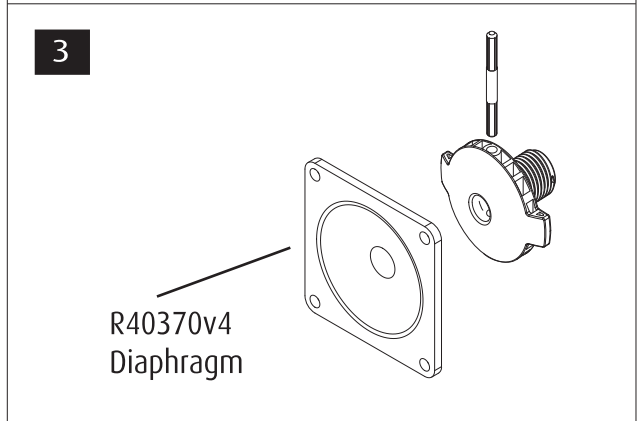
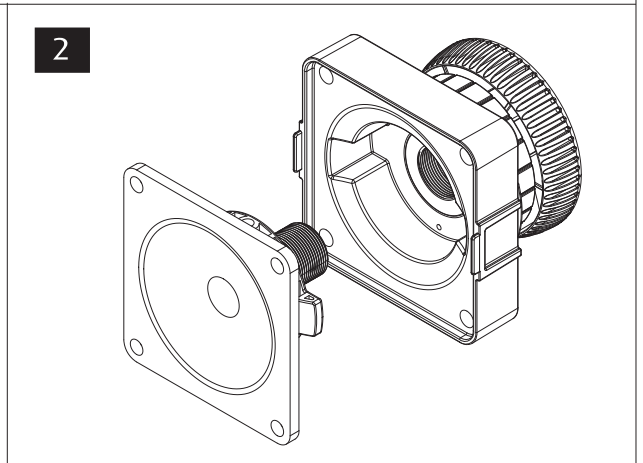
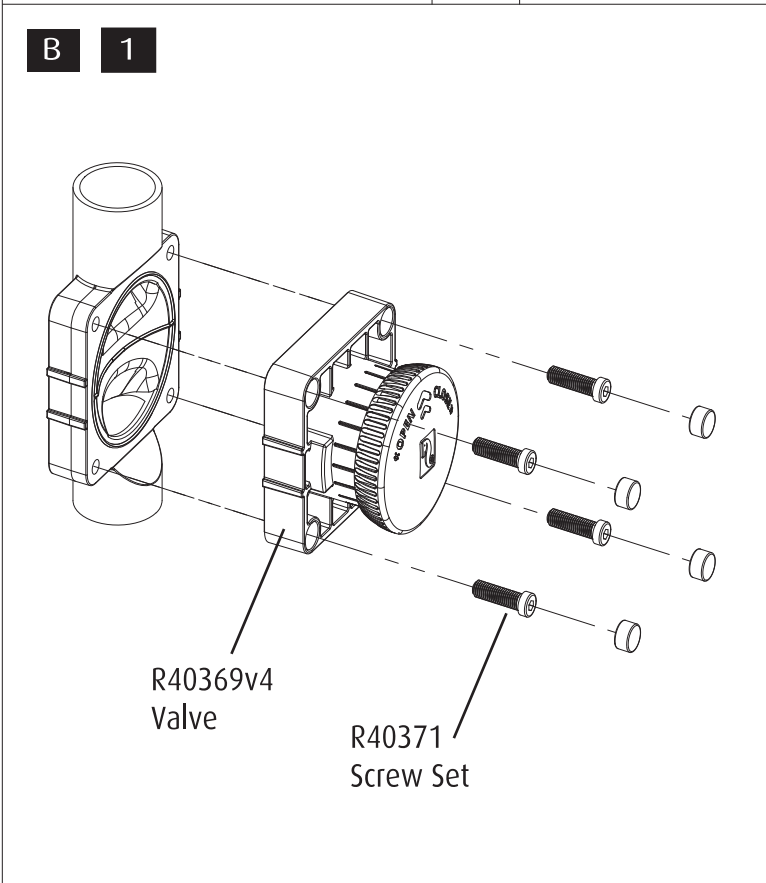
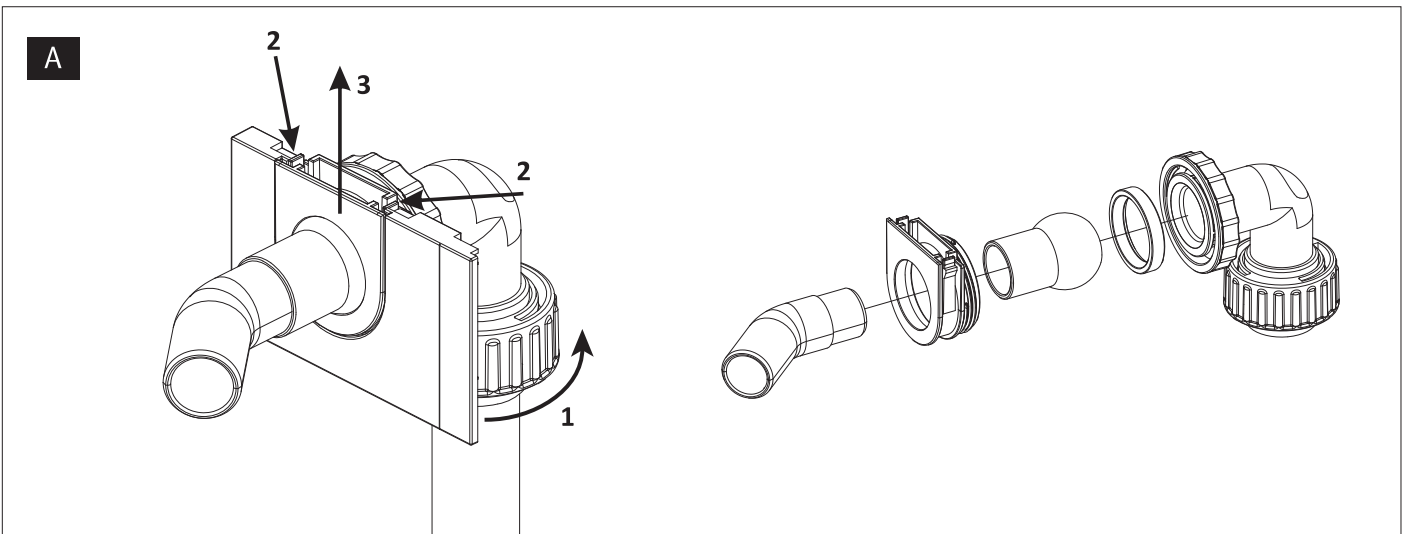


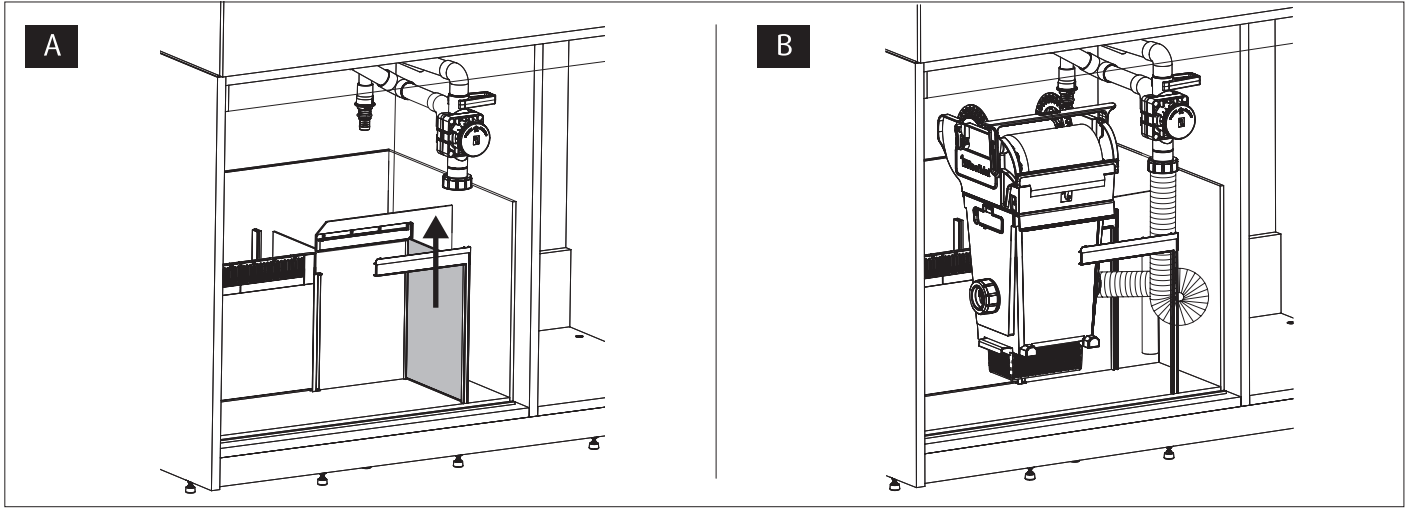






## MAINTENANCE





*Europe*

**Red Sea Europe**  
655 Rue des Frères Lumière  
27130 Verneuil d'Avre et d'Iton,  
France  
support.fr@redseafish.com

*UK & Ireland*

**Red Sea Aquatics (UK) Ltd**  
PO Box 1237  
Cheddar, BS279AG  
uk.info@redseafish.com

*North America*

**Red Sea U.S.A & Canada**  
4687 World Houston Parkway  
#200  
Houston, TX 77032, U.S.A  
support.usa@redseafish.com

*Germany & Austria*

**Red Sea Deutschland**  
Büro Deutschland  
Prinzenallee 7 (Prinzenpark)  
40549 Düsseldorf  
support.de@redseafish.com

*China*

**Red Sea Aquatics (GZ) Ltd.**  
Block 2-4, No.168, West Yingbin  
Road, Xinhua Industrial Park,  
Huadu District, Guangzhou City,  
China, Postal code 510812.  
Tel: +86-020-6625 3828  
info.china@redseafish.com