

# Red Sea REEFER™

350 G2+/425 G2+

---

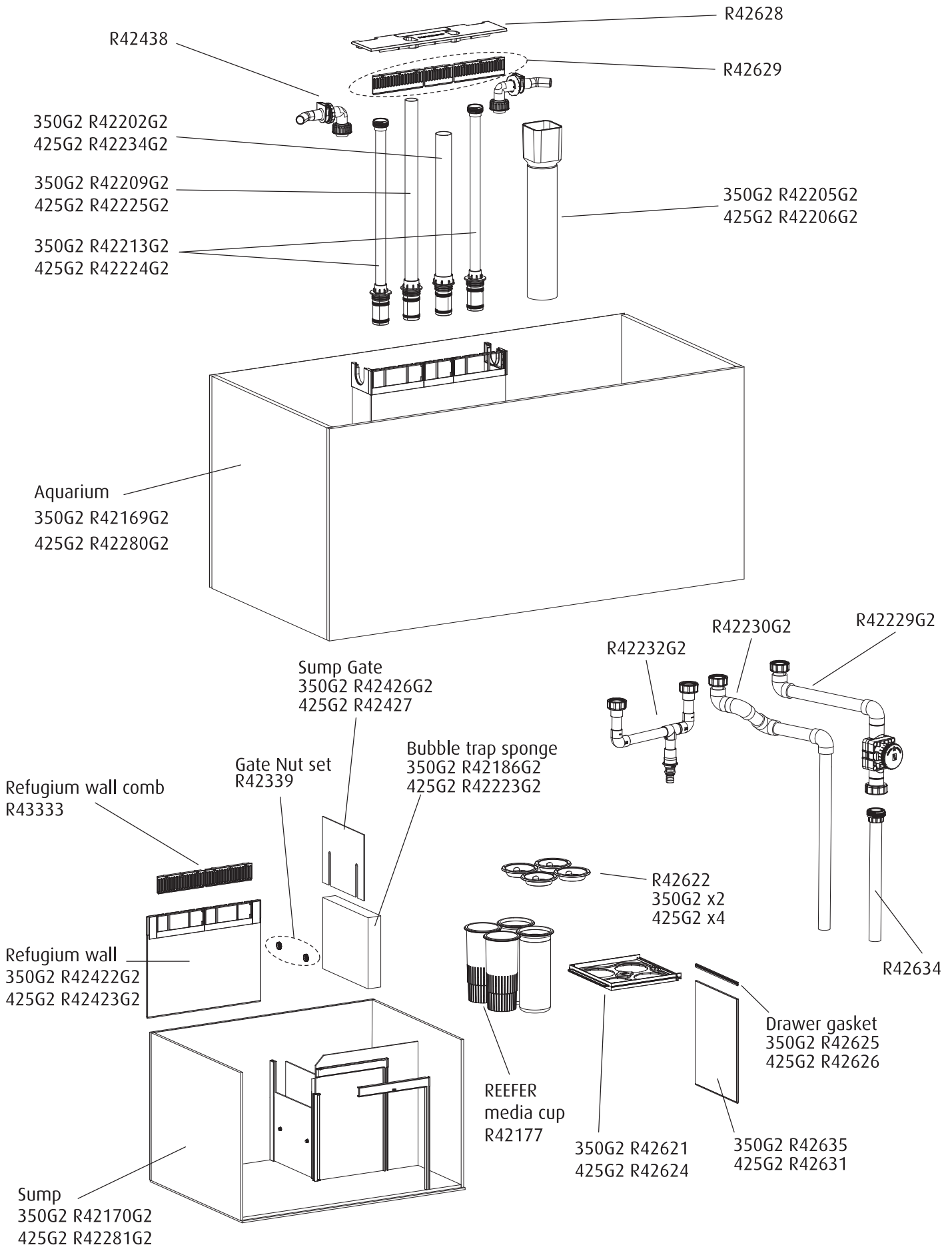
Aquarium & Cabinet Assembly Manual



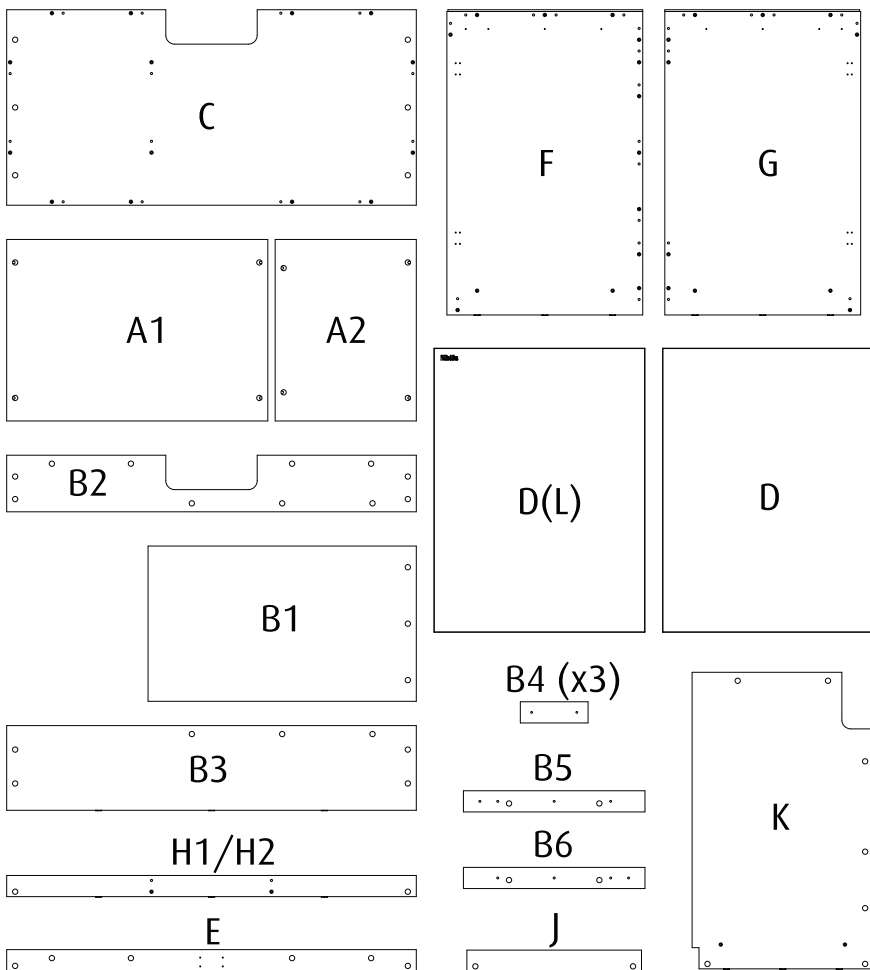
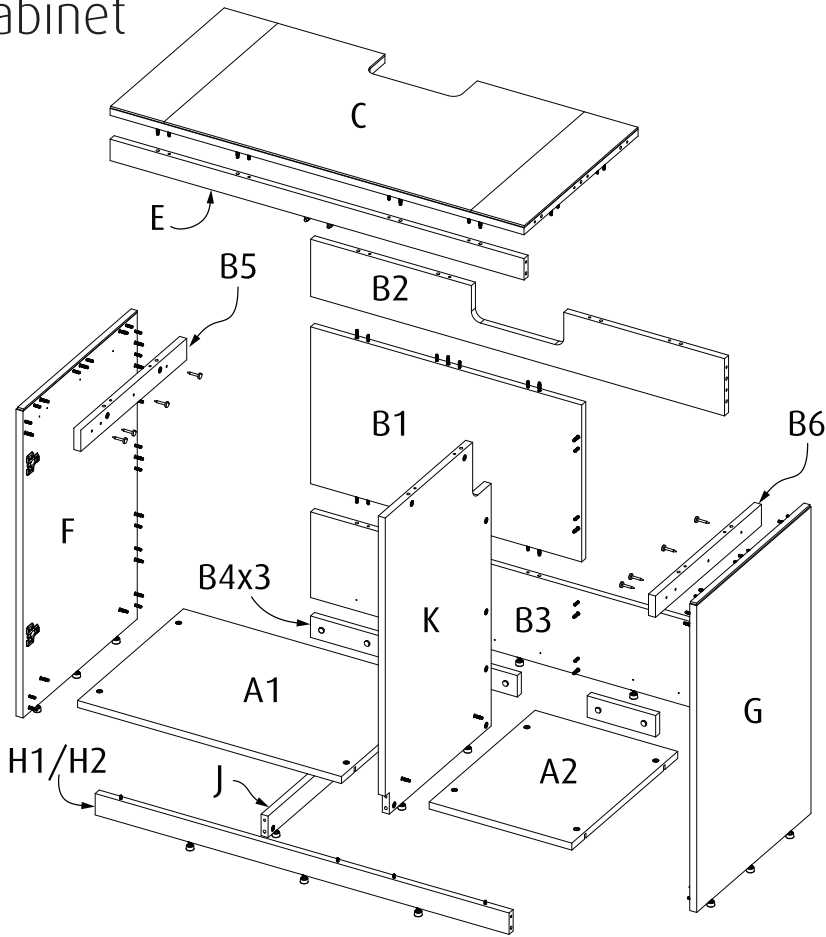
Resource & Support Center:  
[www.redseafish.com/support/](http://www.redseafish.com/support/)


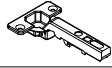





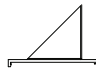













# Aquarium Water Management System

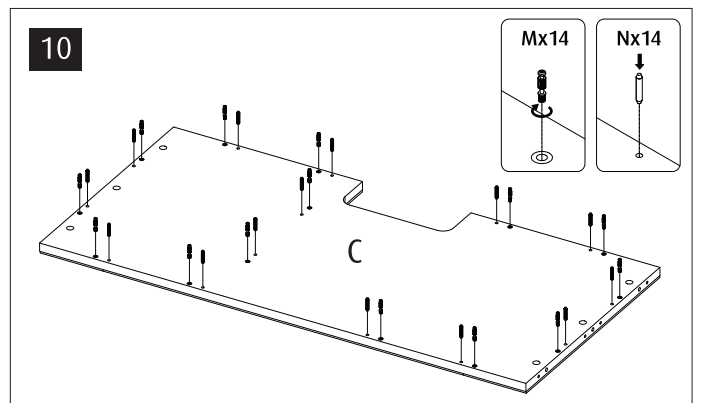
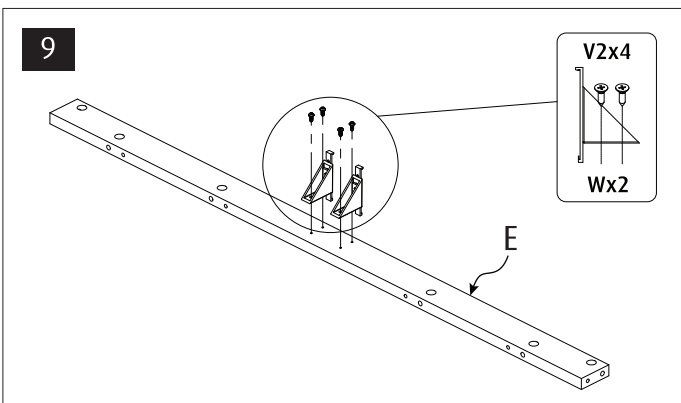
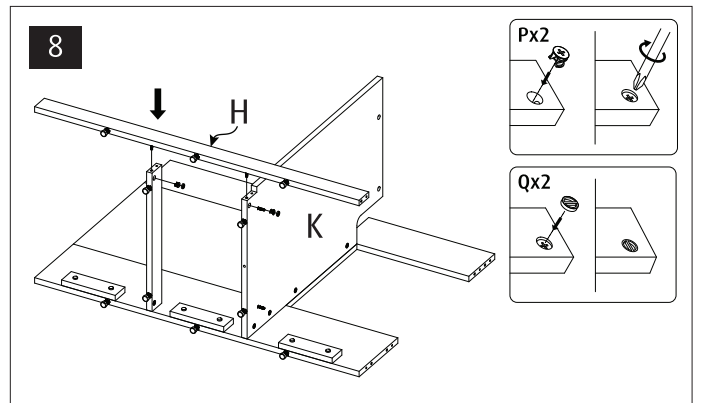
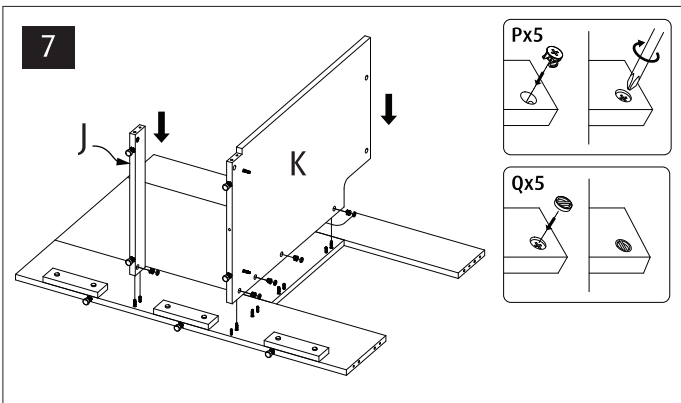
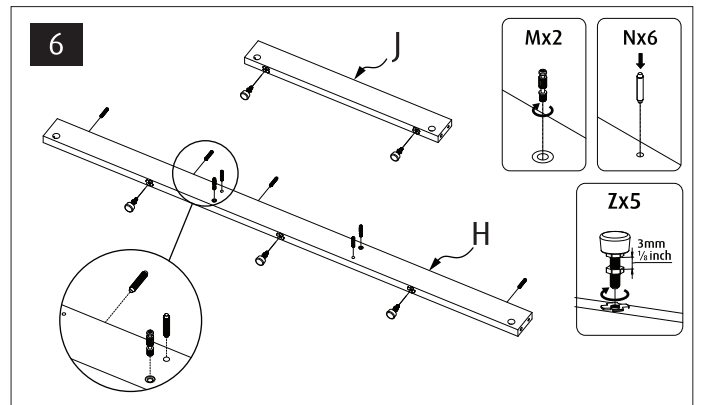
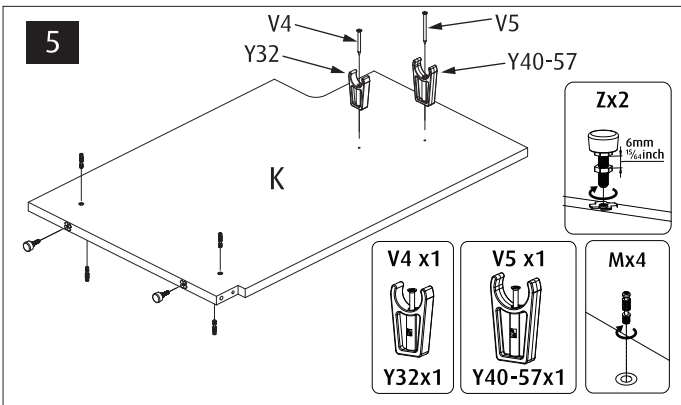
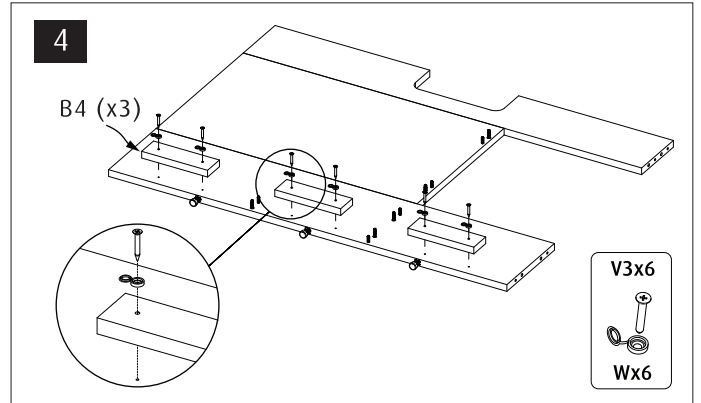
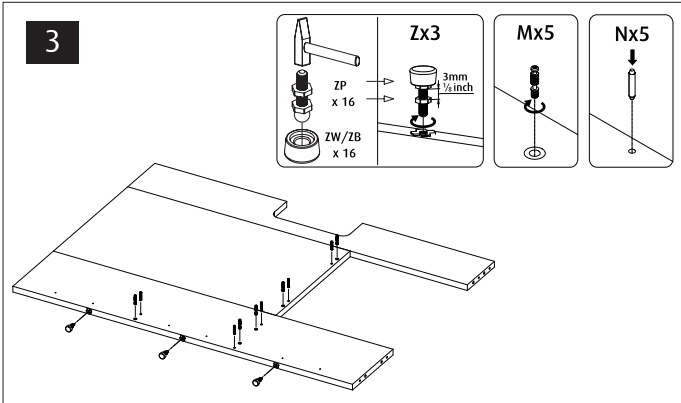
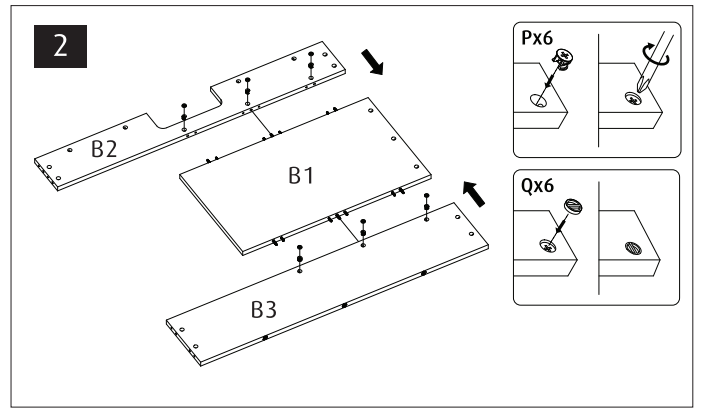
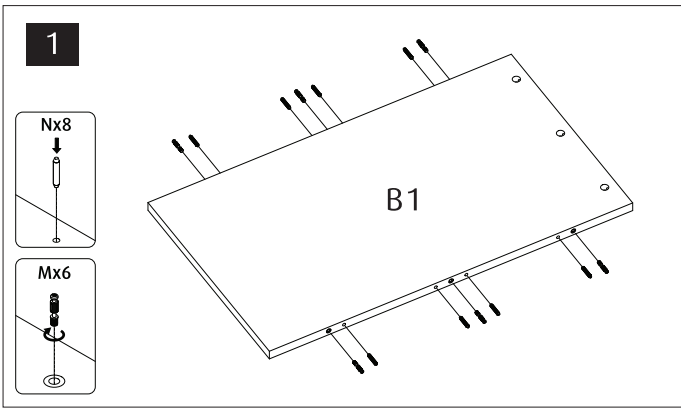


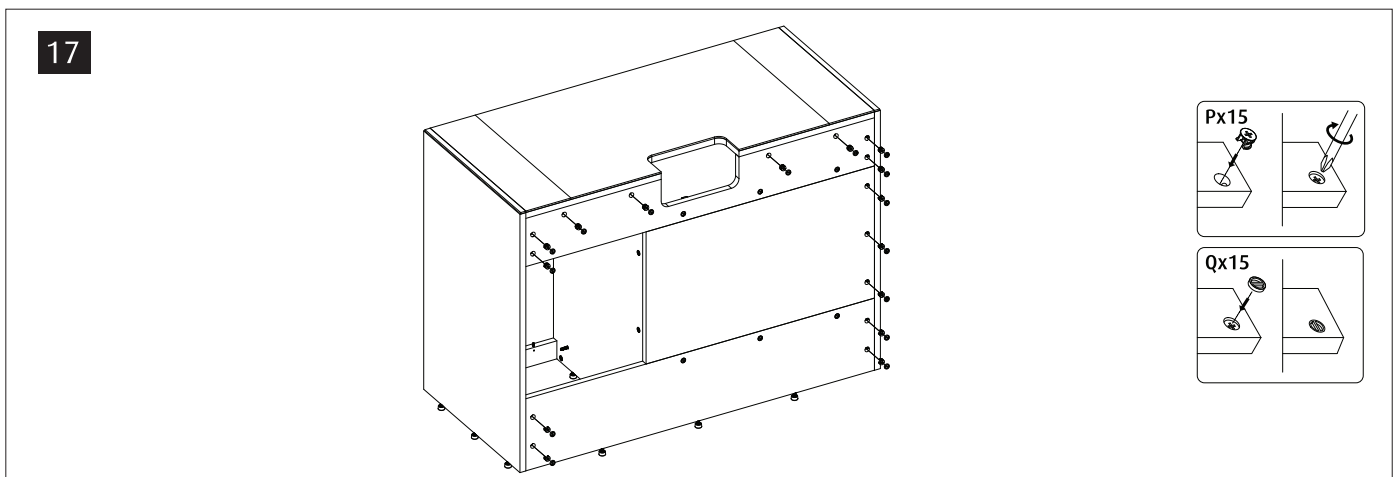
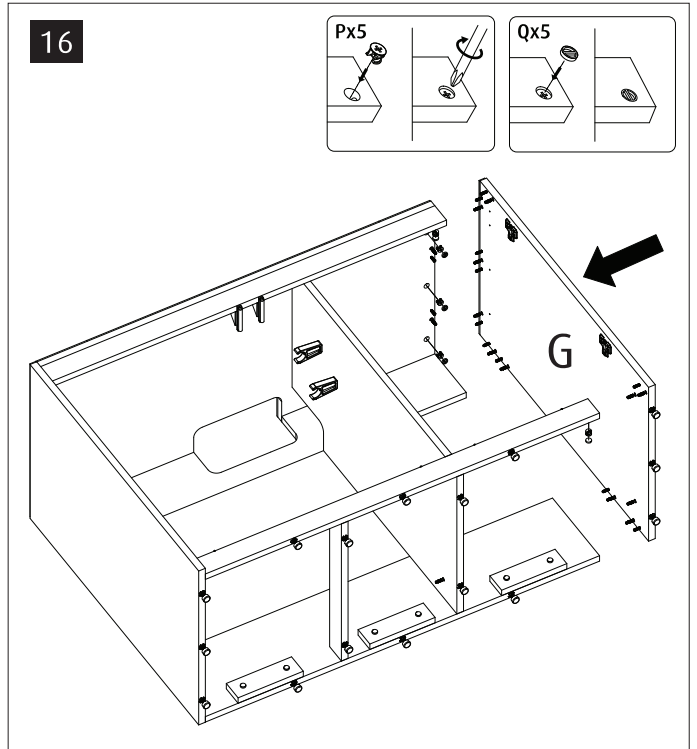
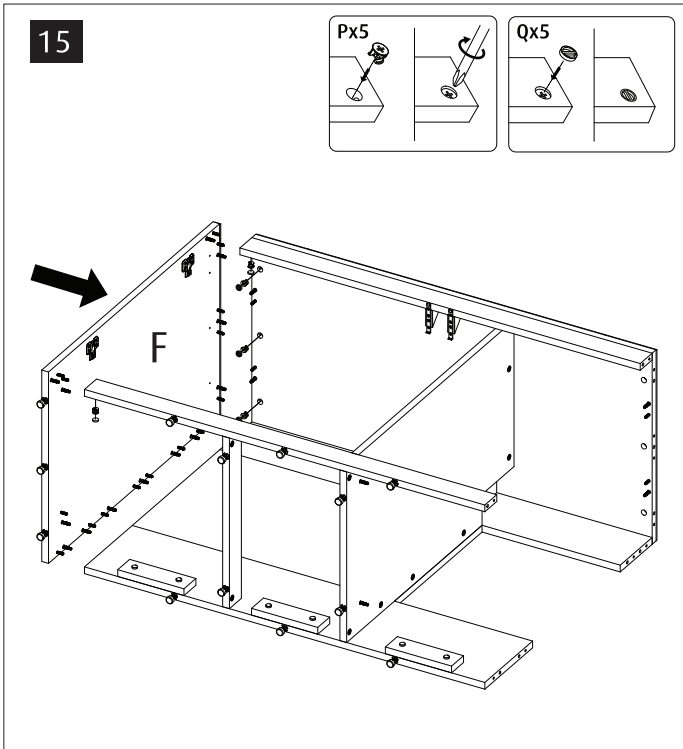
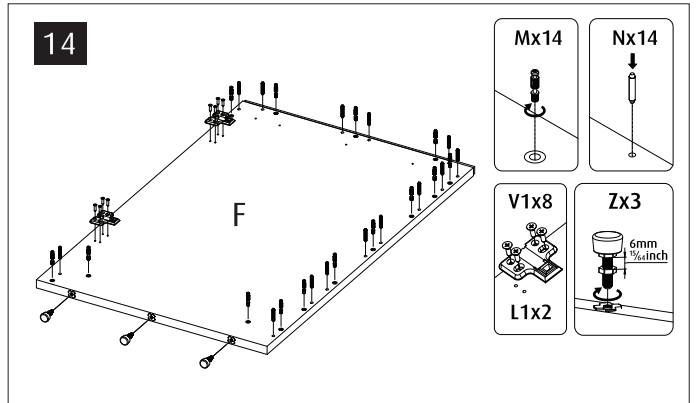
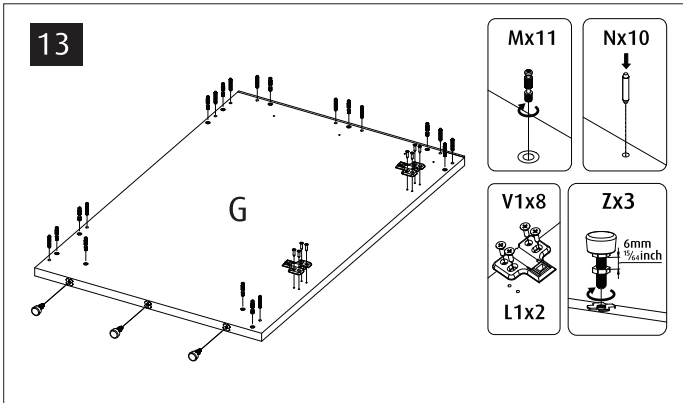
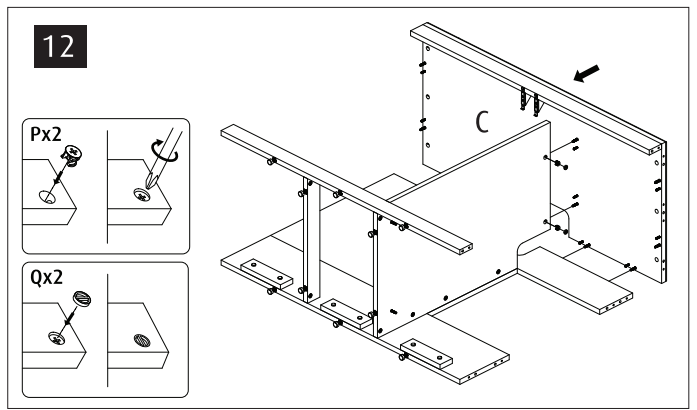
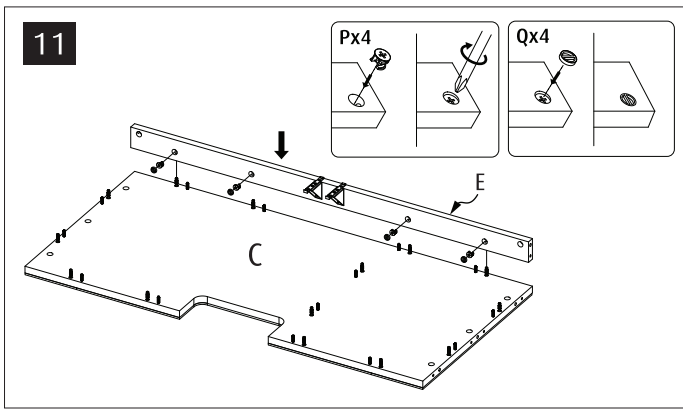
# Cabinet

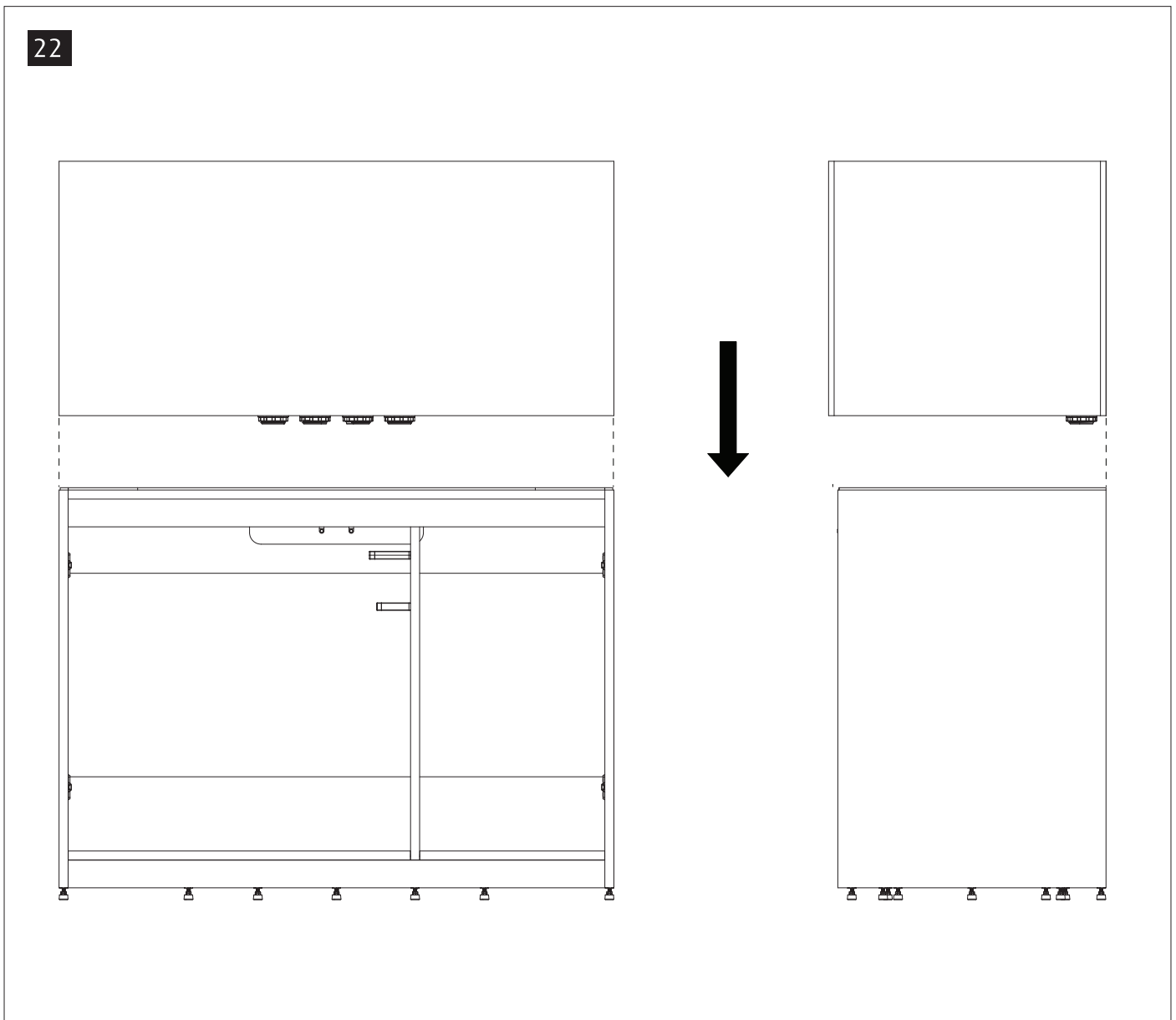
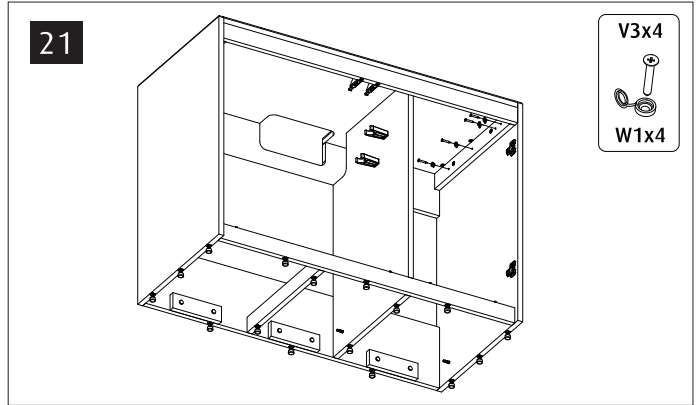
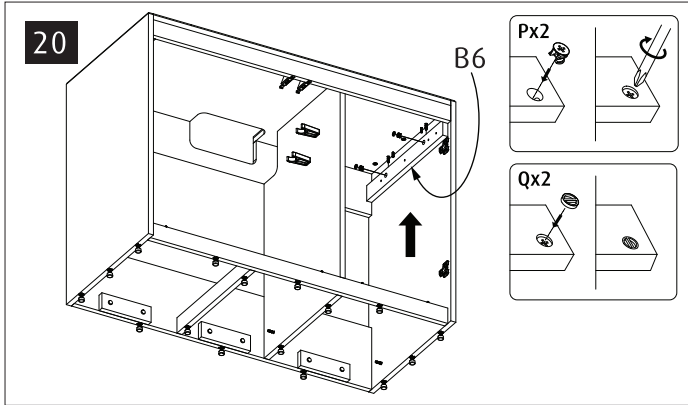
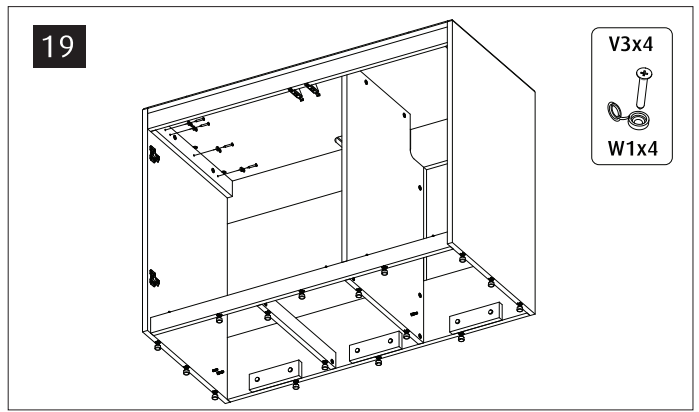
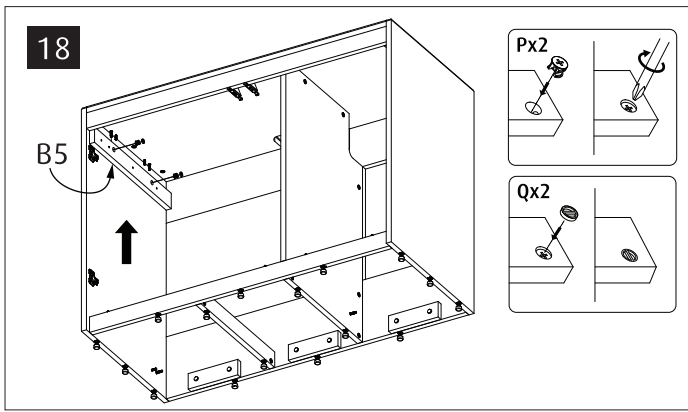


	350 G2	425 G2
L1 		
L2 	4	4
N 	57	57
M 	56	60
P 	56	60
Q 	56	60
S 	2	2
W 	2	2
V1  ST4x16	24	24
V2  ST3.5x14	4	4
V3  ST5x35	14	14
V4  ST5x60	1	1
V5  ST5x70	1	1
W1 	14	14
Y32-48 	1	1
Y40-57 	1	1
ZP  ZW  ZB 	16	16

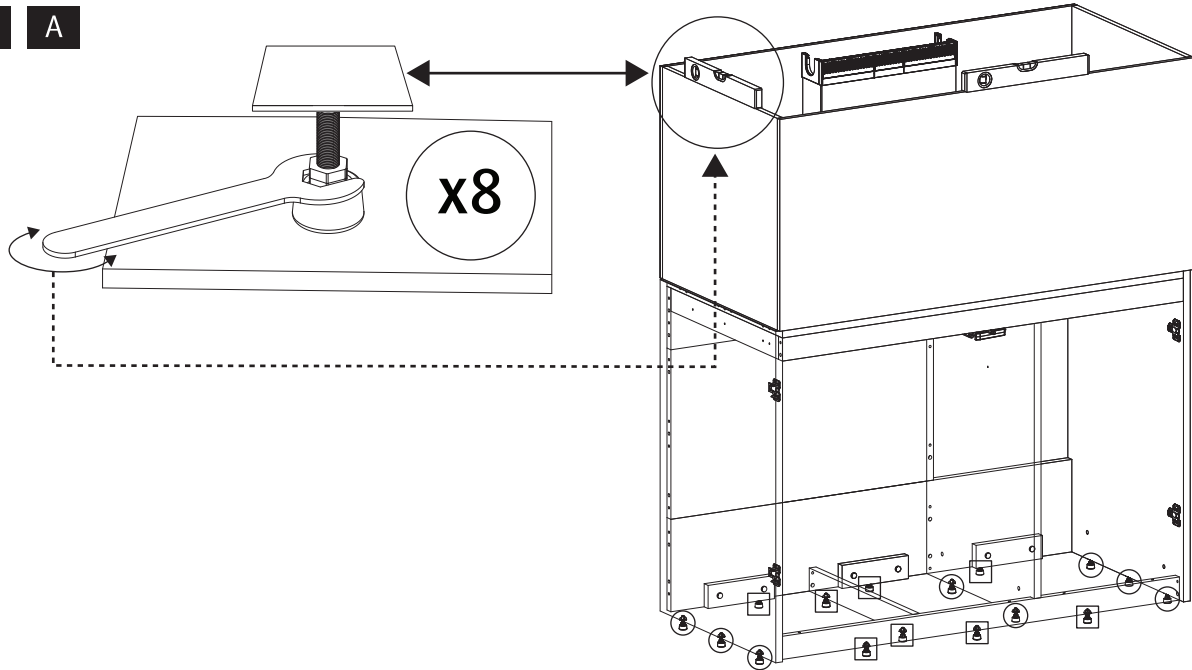
	350 G2	425 G2	Part Description
A1	5292A-B	6617G2	Cabinet Bottom Sump
A2	5299A-B	6618G2	Cabinet Bottom Chiller
B1	6628A-B	6628A-B	Cabinet Rear Middle
B2	6629G2	6629G2	Cabinet Rear Top
B3	6619A-B	6619A-B	Cabinet Rear Bottom
B4	6620	6620	Cabinet Rear bottom support
B5	5289G2-L	6615G2-L	Cabinet Side Top support Left
B6	5289G2-R	6615G2-R	Cabinet Side Top support Right
C	5291G2 (Located under the glass tank)	6616G2 (Located under the glass tank)	Cabinet Top
D	5275B/W	5275B/W	Cabinet Door
E	6630	6630	Cabinet Front Upper
F	5276G2-B /WB	6624G2-B /WB	Cabinet Side Left
G	5277G2-B /WB	6625G2-B /WB	Cabinet Side Right
H1	6627G2-B	6627G2-B	Cabinet Sockel Black
H2	6627G2-WB	6627G2-WB	Cabinet Sockel White
J	5287A-B	6626G2	Cabinet Base Support
K	5297G2	6623G2	Cabinet Internal Wall





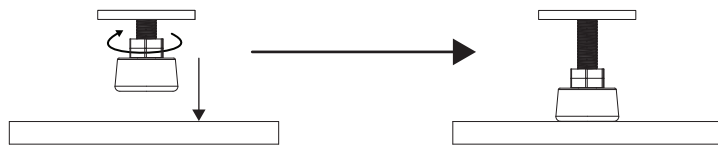


23 A



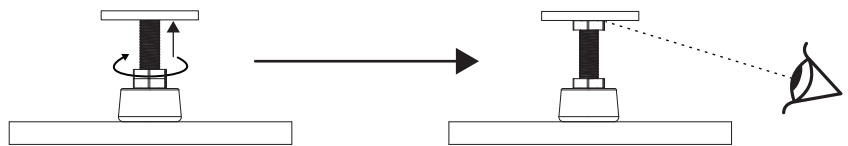
B

x10

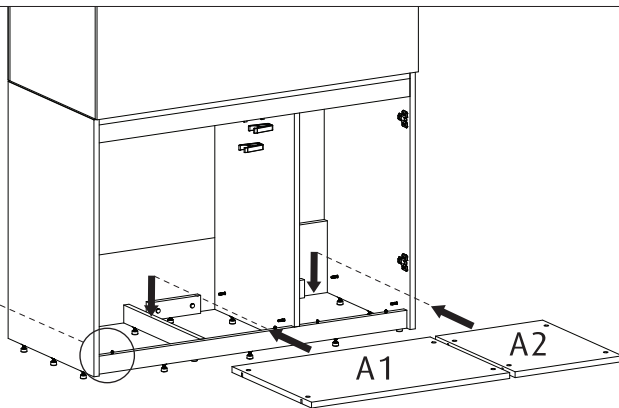
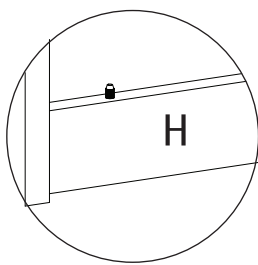


C

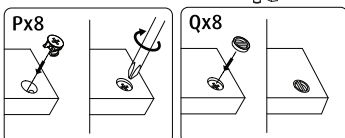
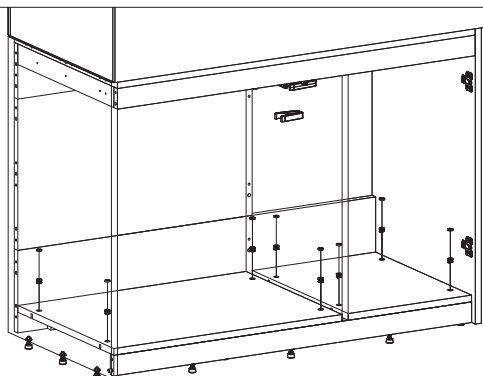
x16



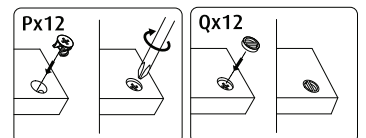
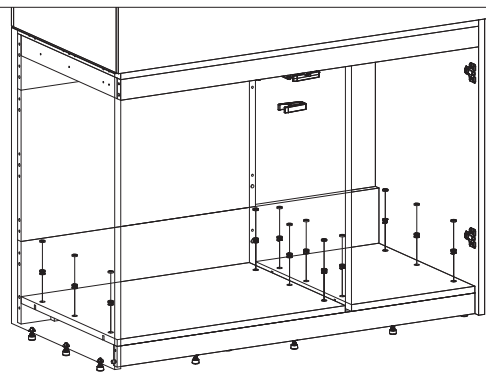
24



25

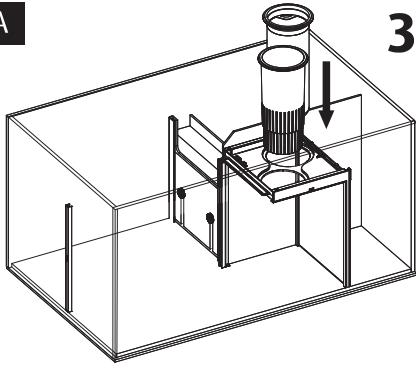


350 G2



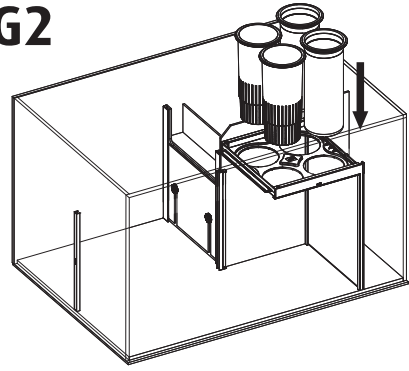
425 G2

26 A

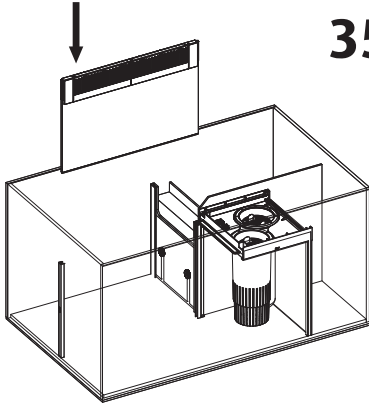


350 G2

425 G2

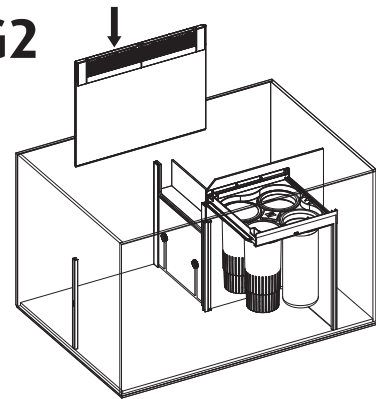


B

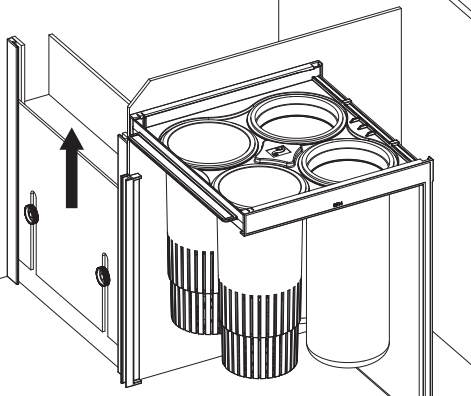


350 G2

425 G2

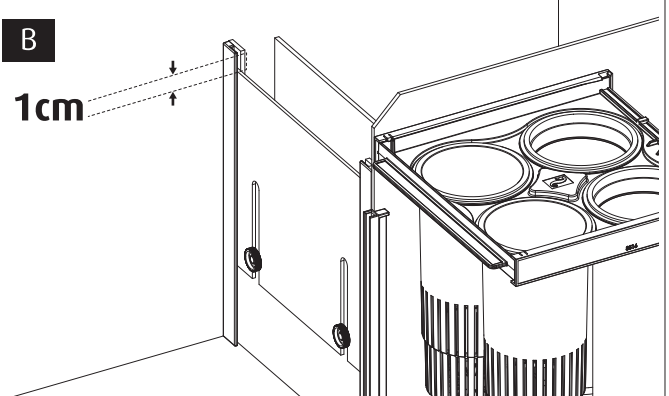


27 A

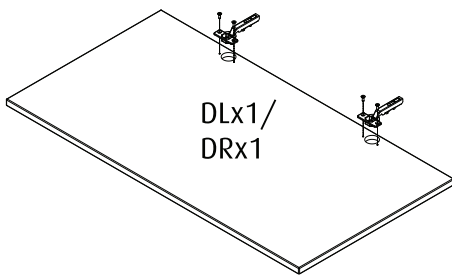


B

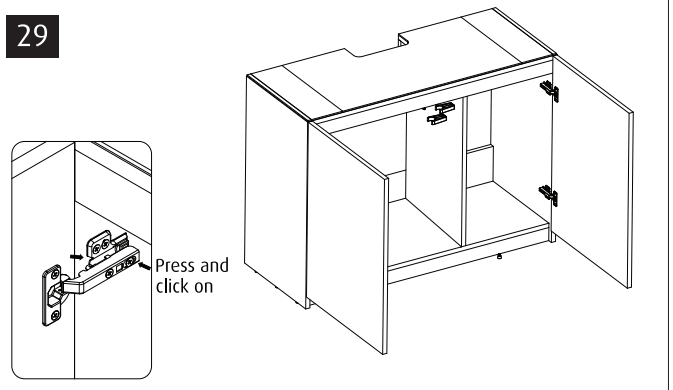
1cm



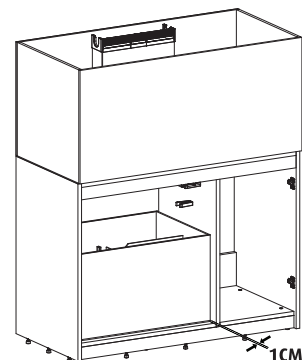
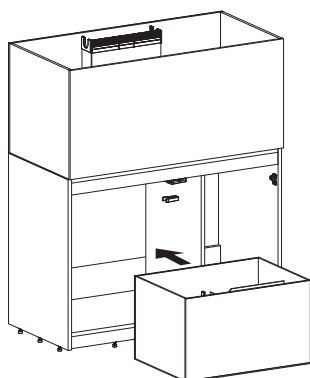
28



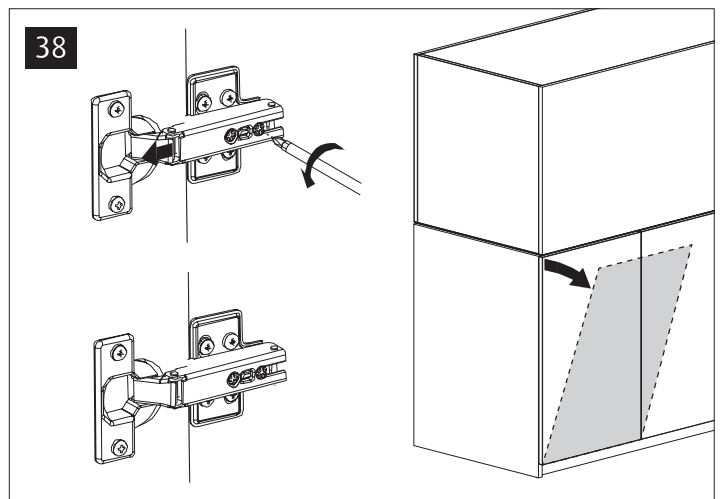
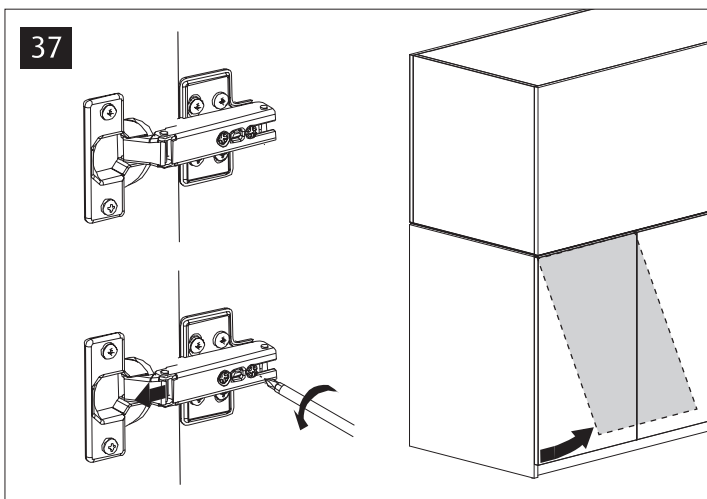
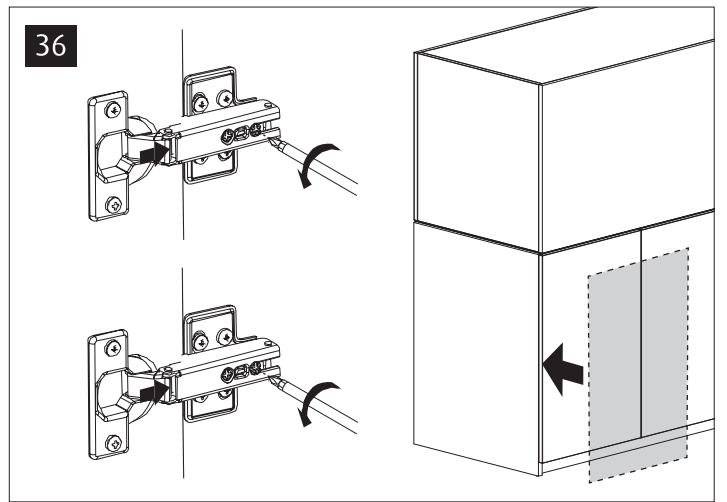
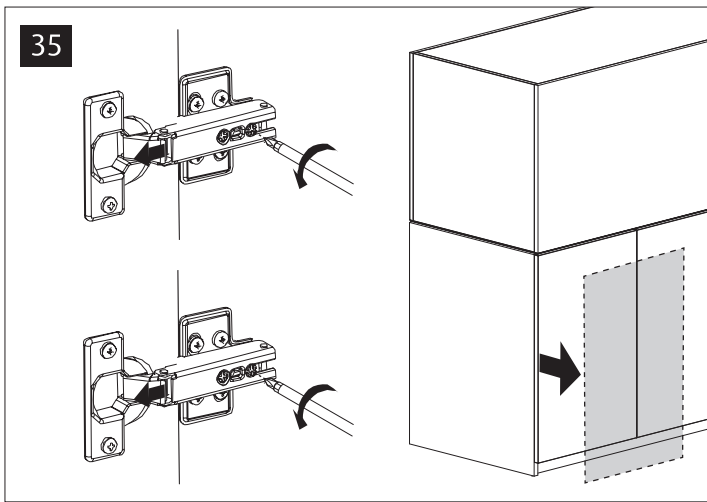
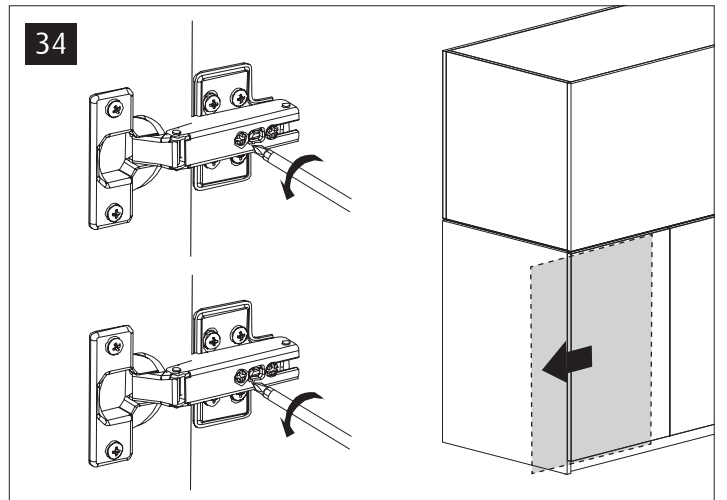
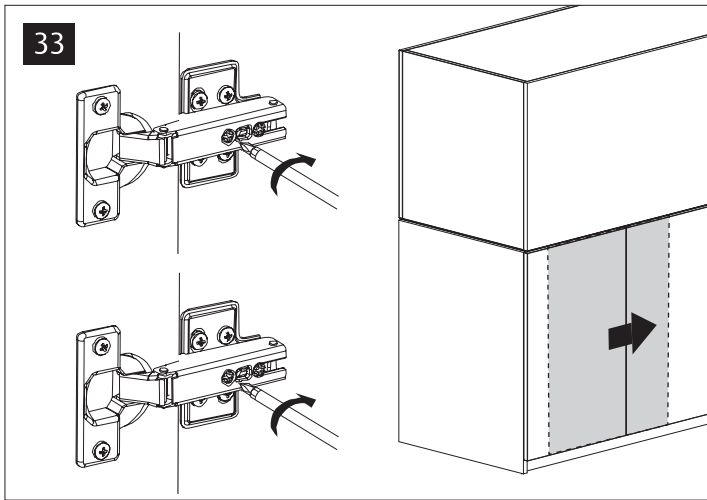
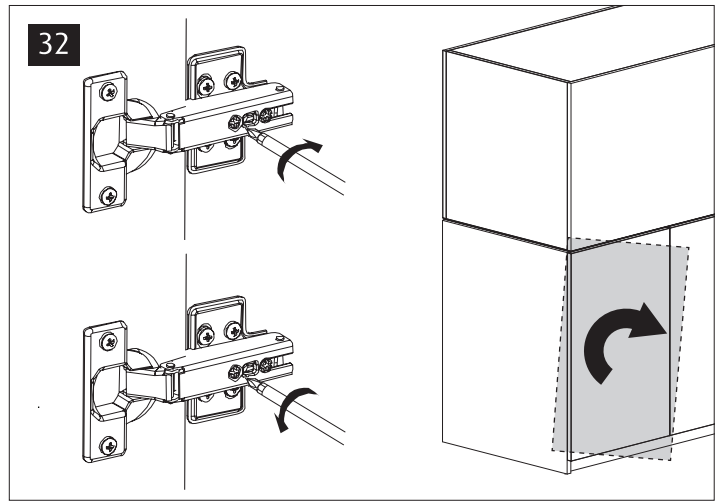
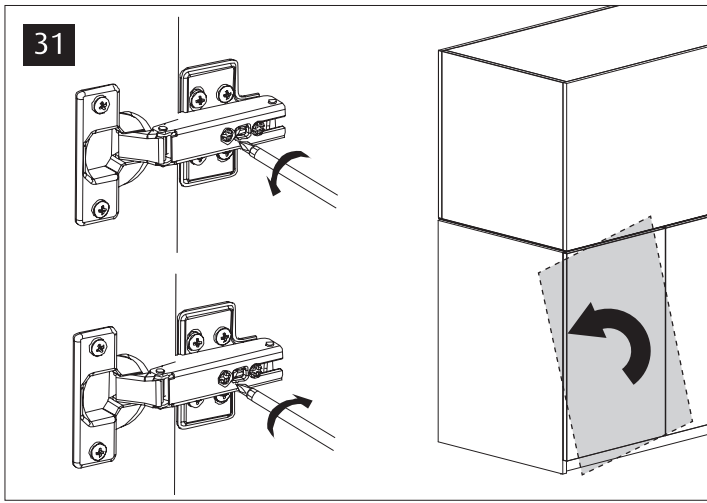
29



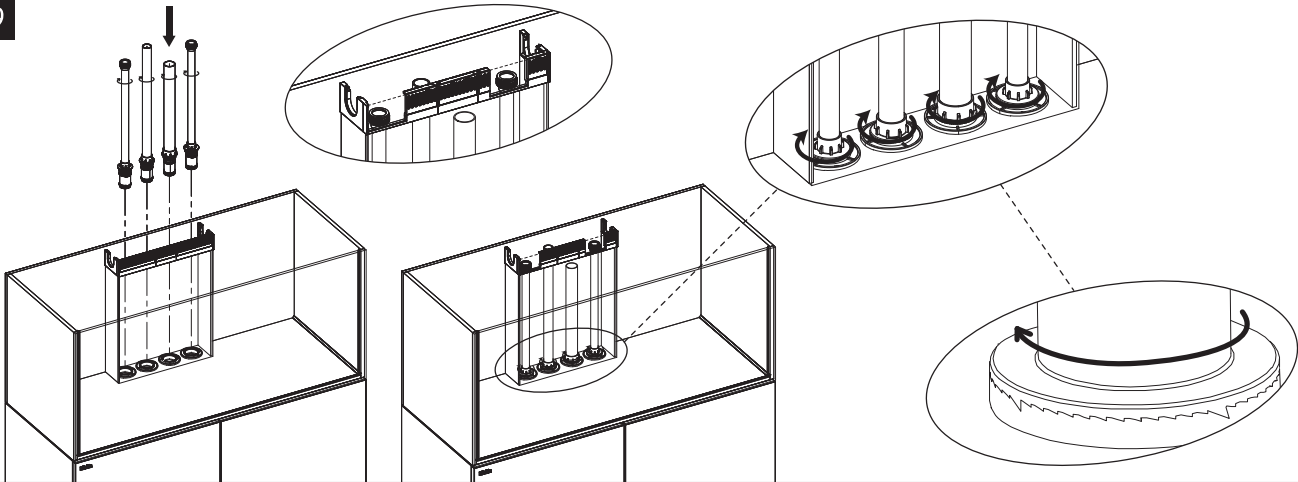
30



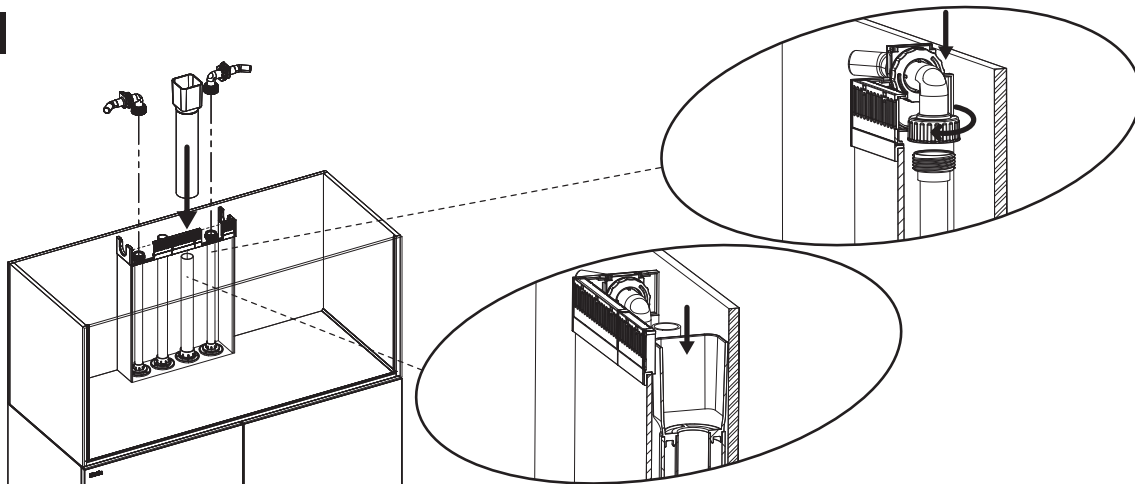




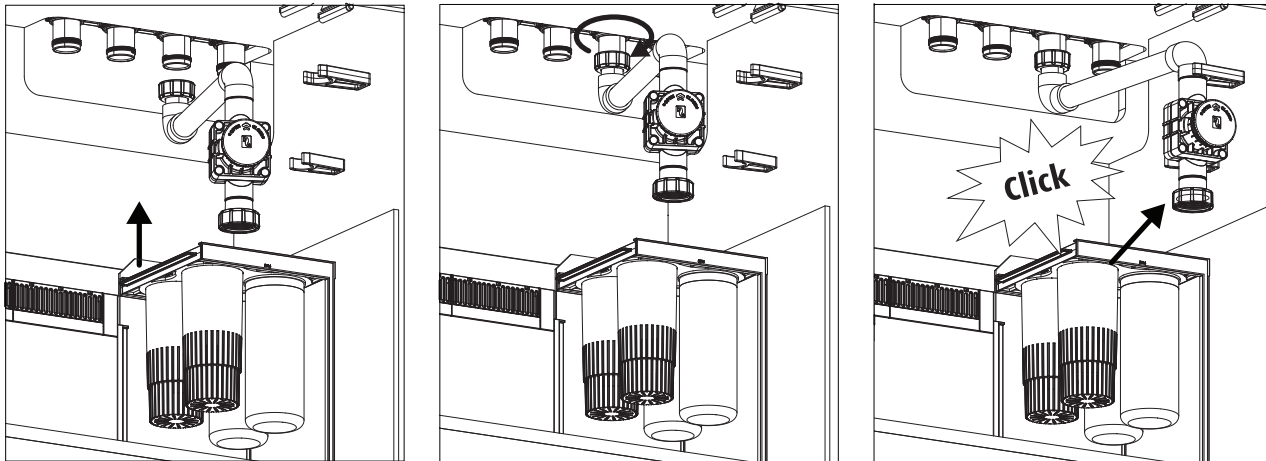
39



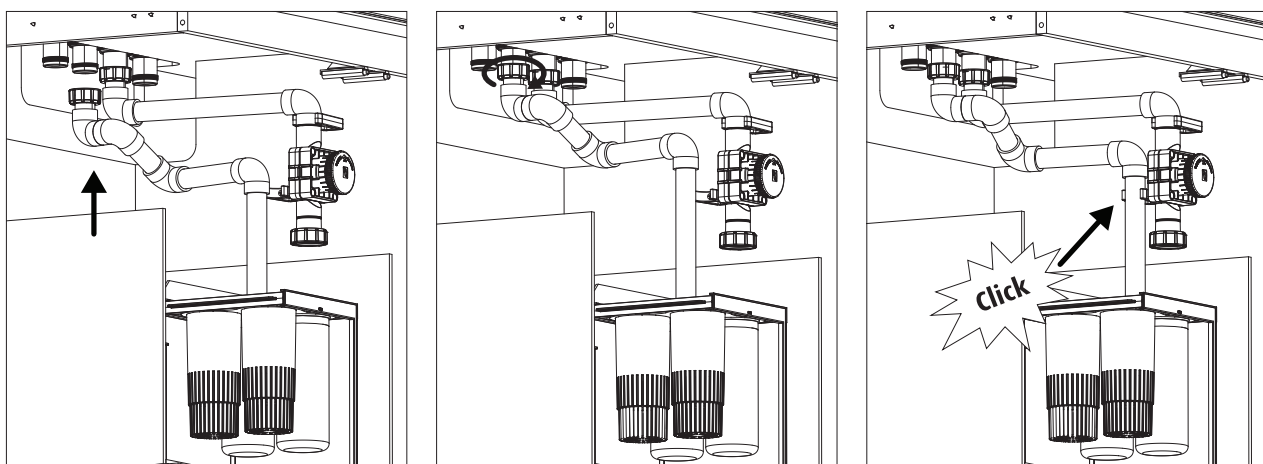
40

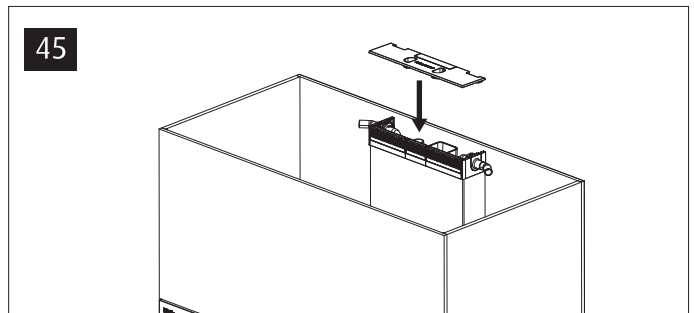
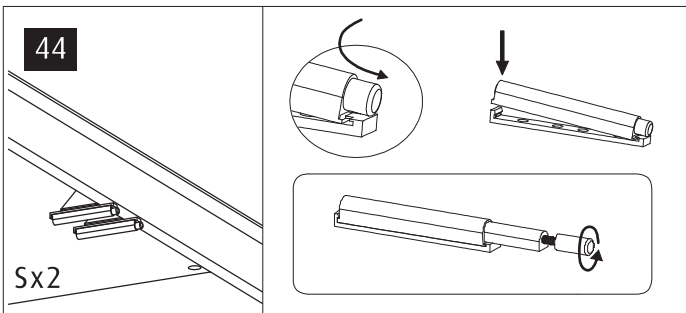
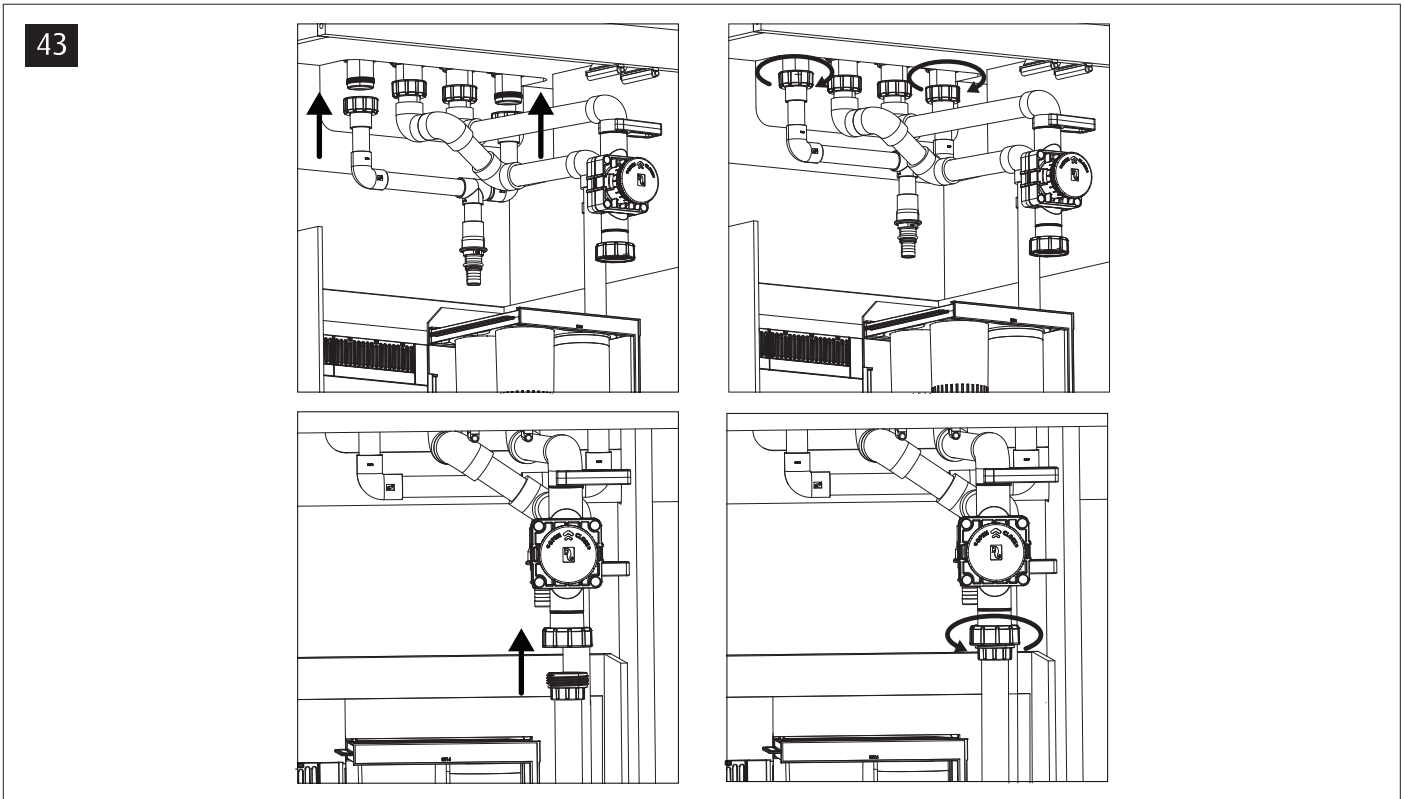


41

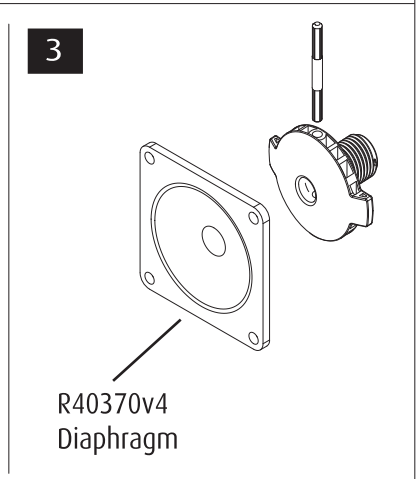
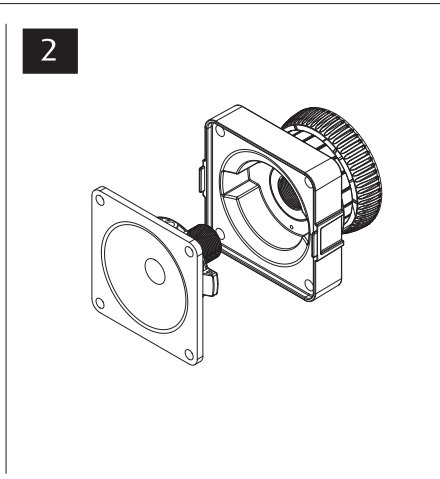
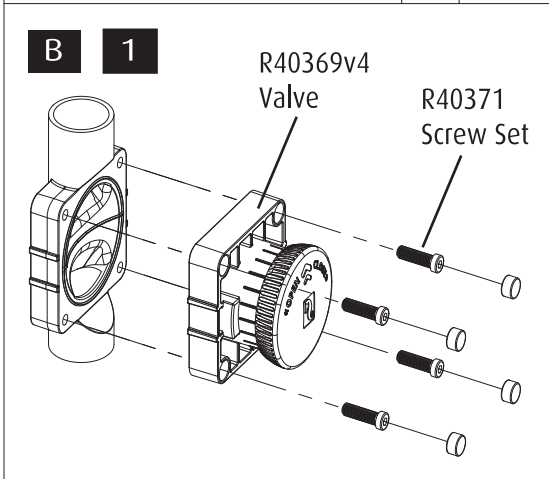
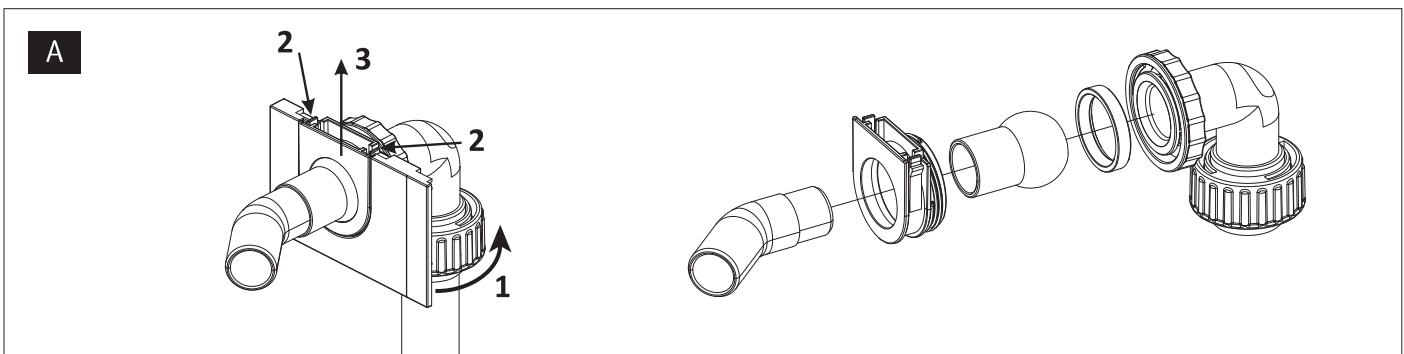


42

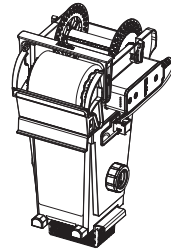




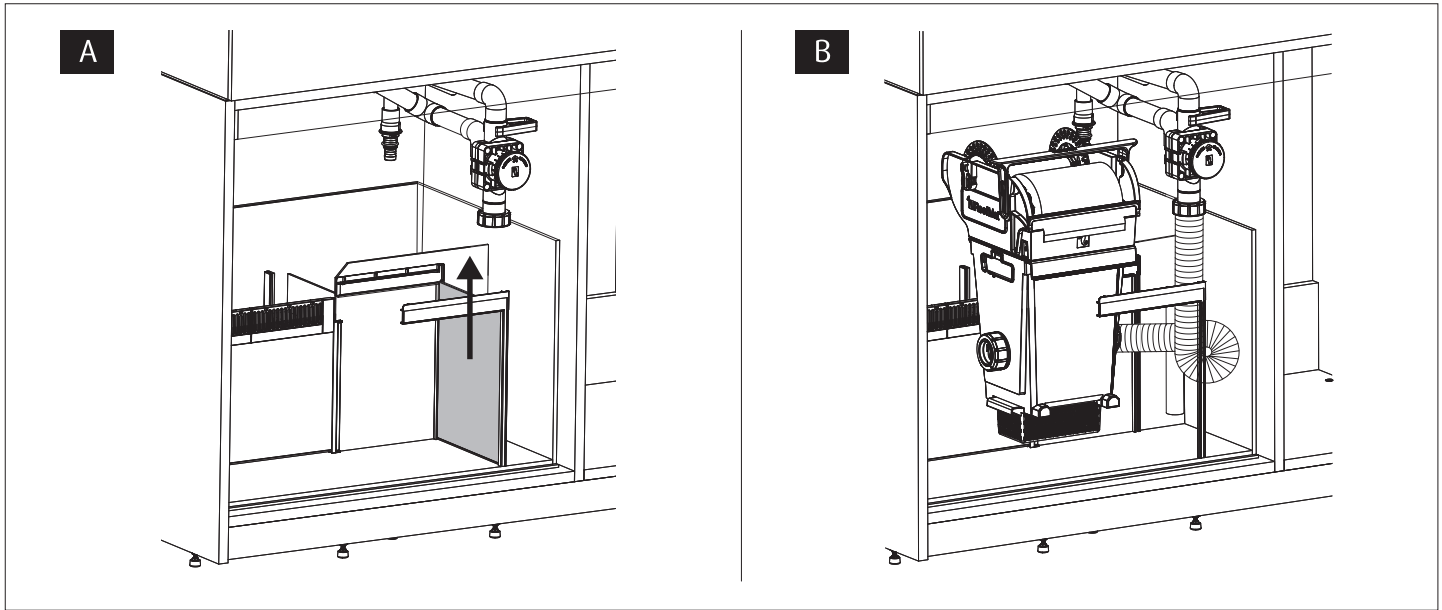
## MAINTENANCE



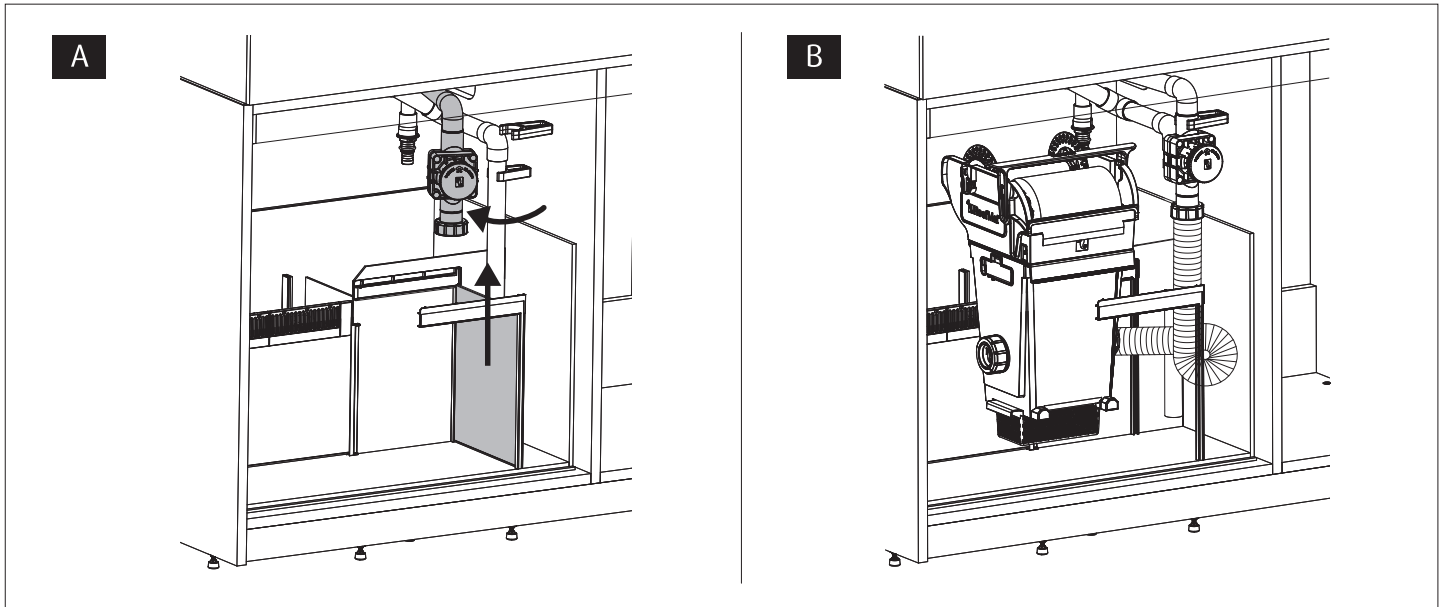
# ReefMat®



## 350 G2



## 425 G2



#6935G2P\_REEFER 350 / 425 Cabinet & Aquarium Manual\_V238

### Europe

**Red Sea Europe**  
655 Rue des Frères Lumière  
27130 Verneuil d'Avre et d'Iton,  
France  
support.fr@redseafish.com

### UK & Ireland

**Red Sea Aquatics (UK) Ltd**  
PO Box 1237  
Cheddar, BS279AG  
uk.info@redseafish.com

### North America

**Red Sea U.S.A & Canada**  
4687 World Houston  
Parkway #200  
Houston, TX 77032, U.S.A  
support.usa@redseafish.com

### Germany & Austria

**Red Sea Deutschland**  
Büro Deutschland  
Prinzenallee 7 (Prinzenpark)  
40549 Düsseldorf  
support.de@redseafish.com

### China

**Red Sea Aquatics (GZ) Ltd.**  
Block 2-4, No.168, West Yingbin  
Road, Xinhua Industrial Park,  
Huadu District, Guangzhou City,  
China, Postal code 510812.  
Tel: +86-020-6625 3828  
info.china@redseafish.com

**Red Sea**  
www.redseafish.com