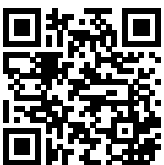


Red Sea REEFER™

170 G2+ / 200 G2+

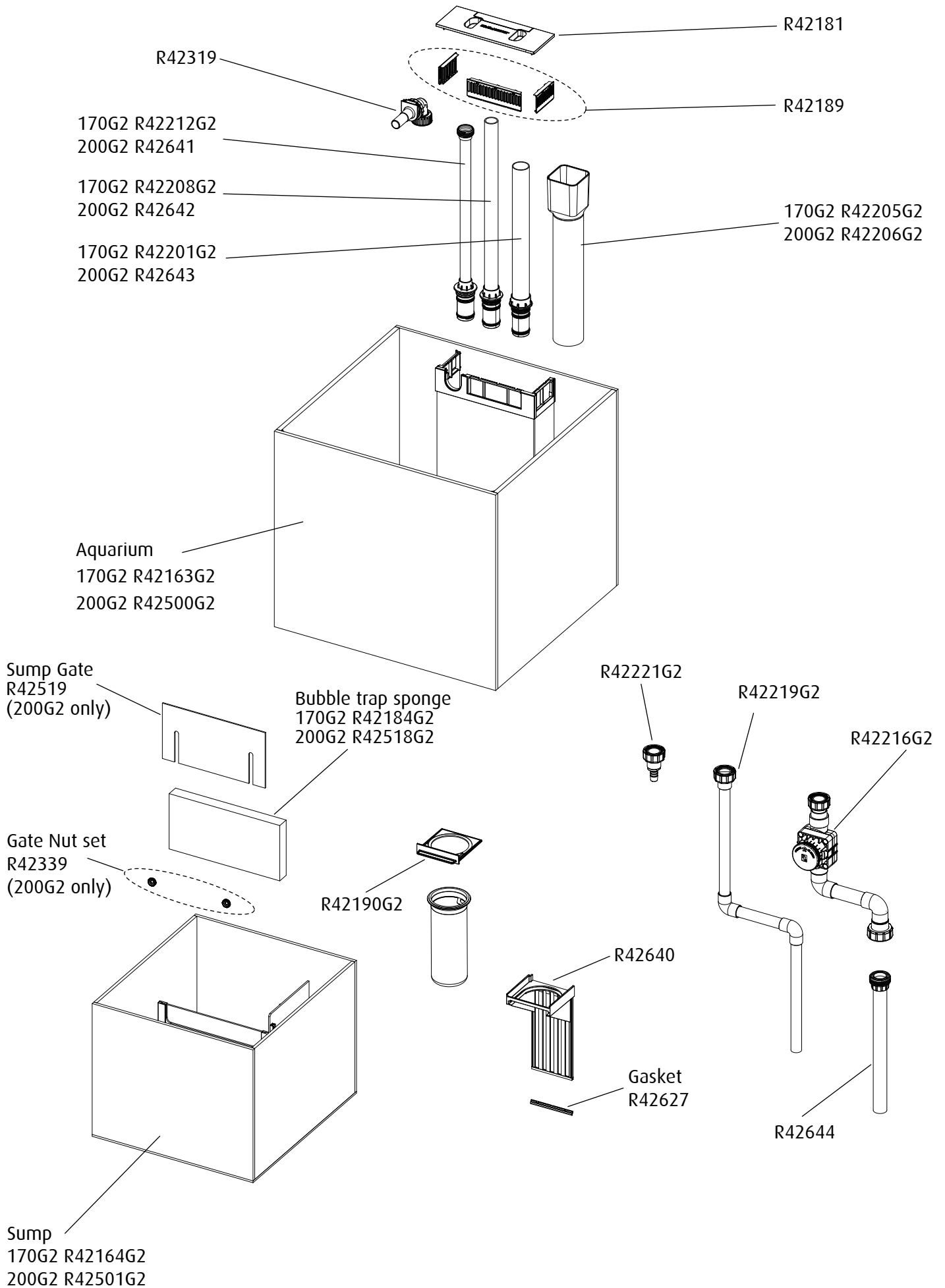
Aquarium & Cabinet Assembly Manual



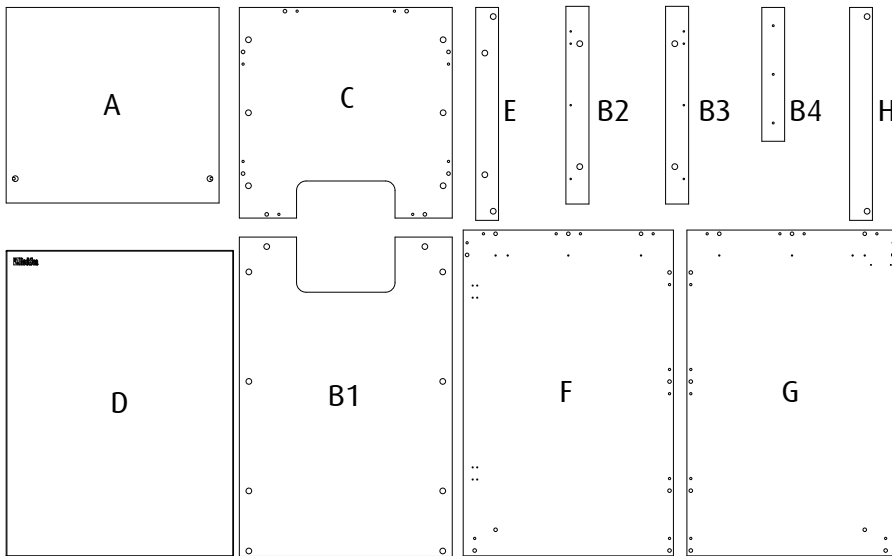
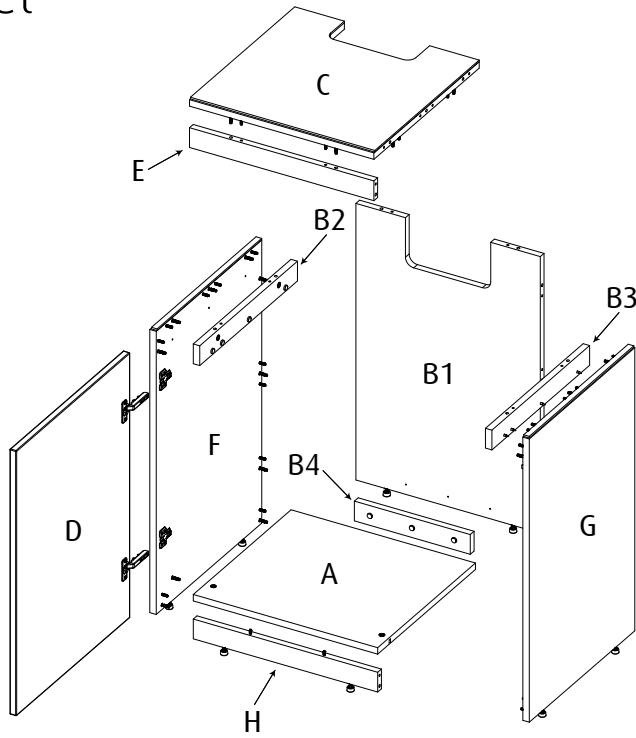
Resource & Support Center:
www.redseafish.com/support/



Water Management

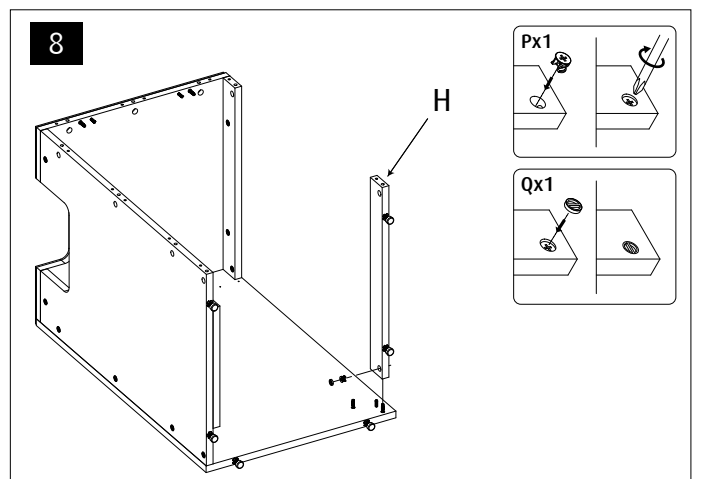
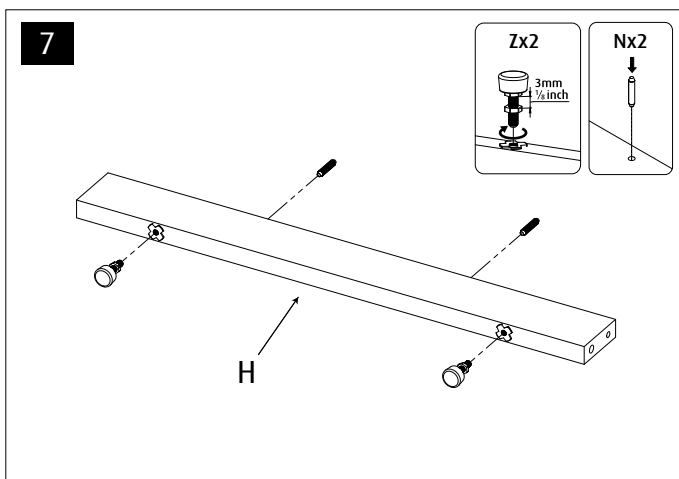
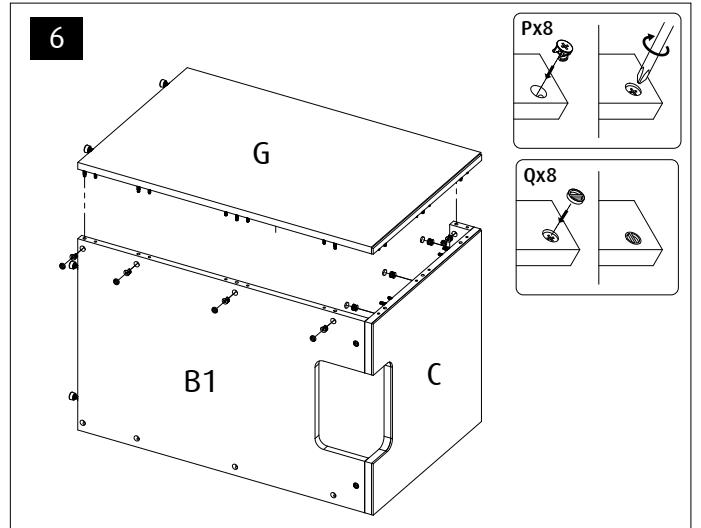
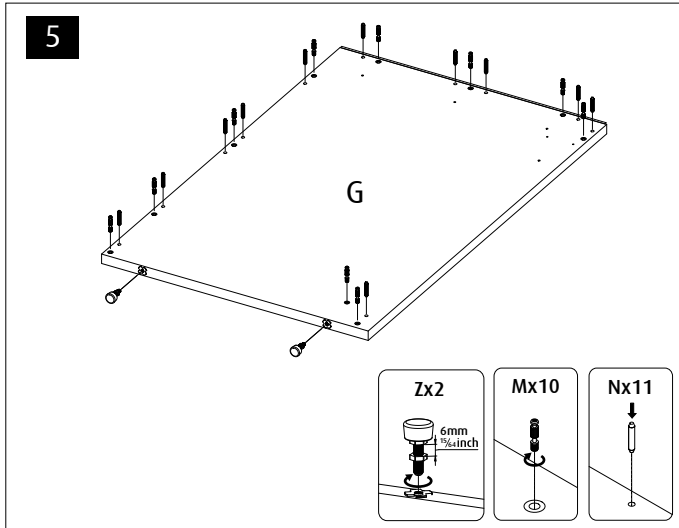
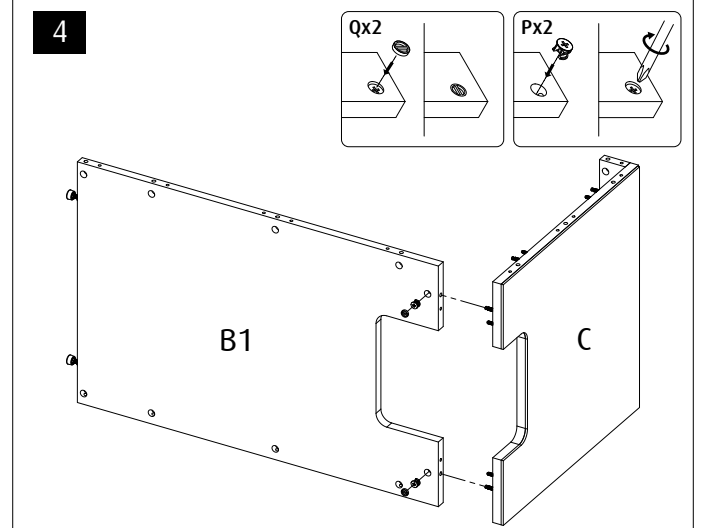
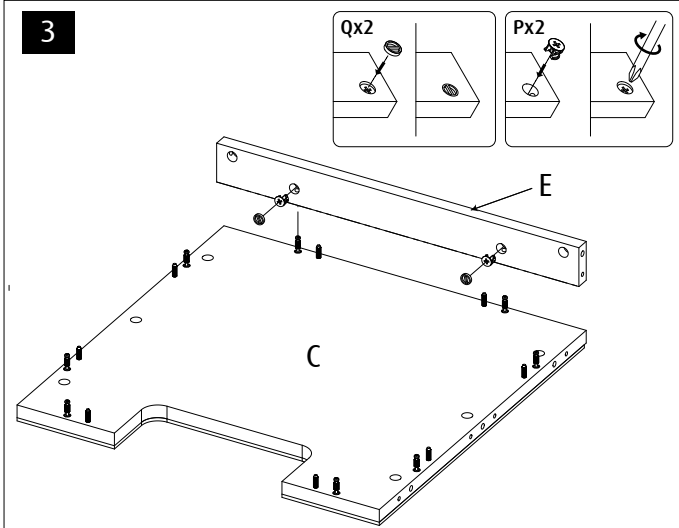
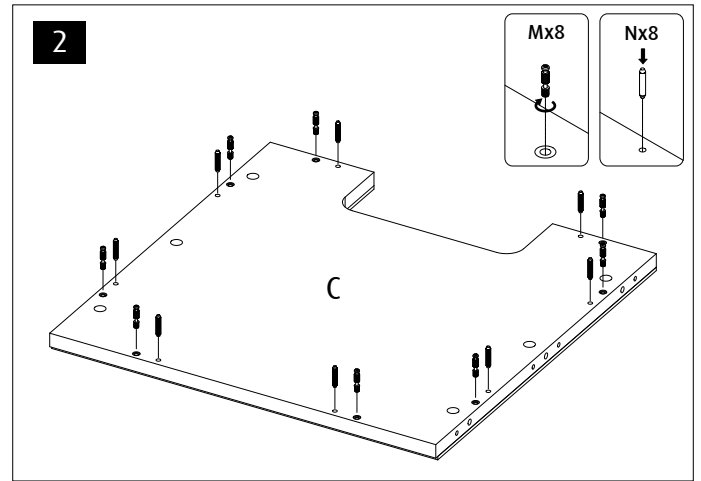
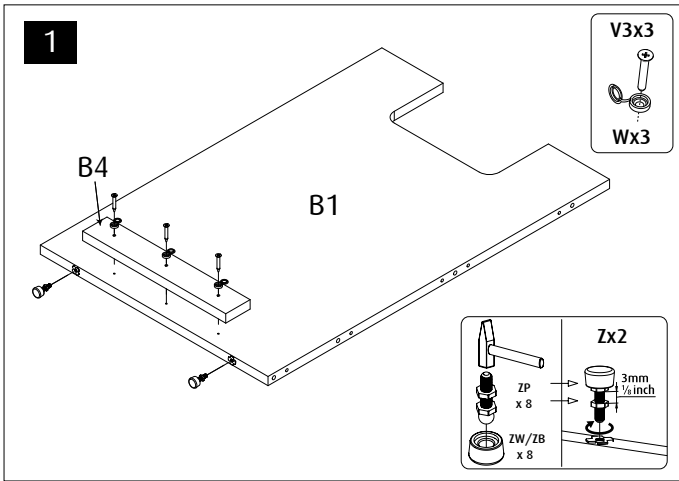


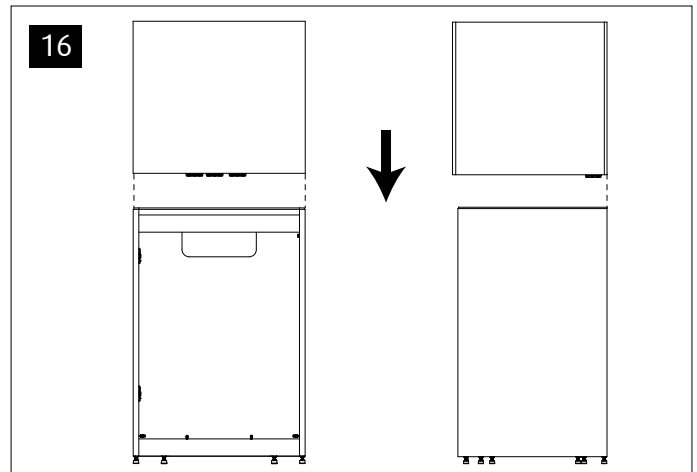
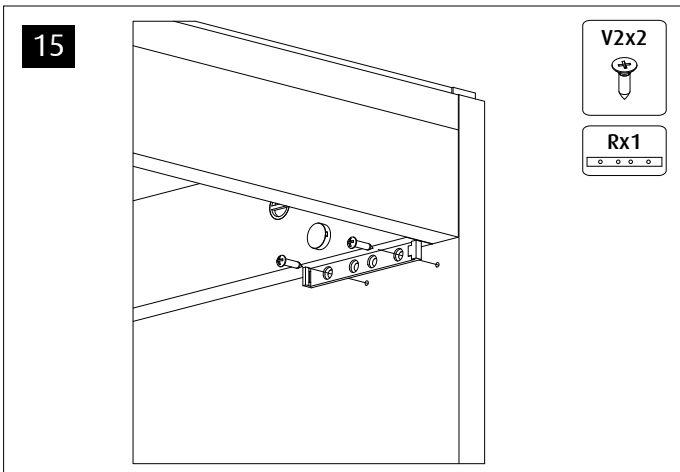
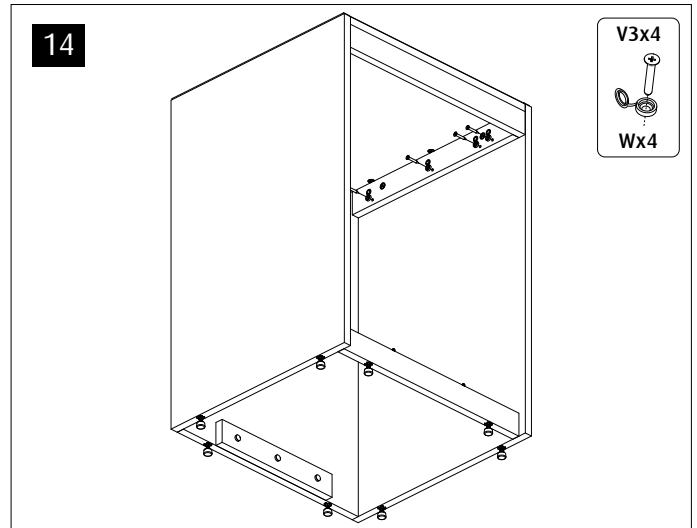
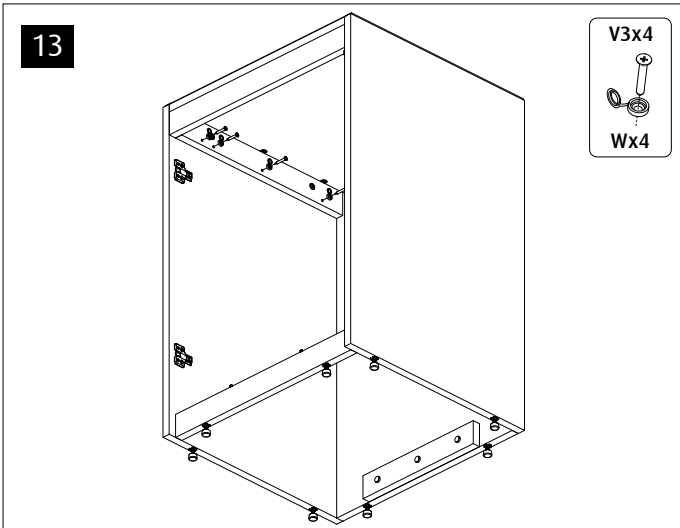
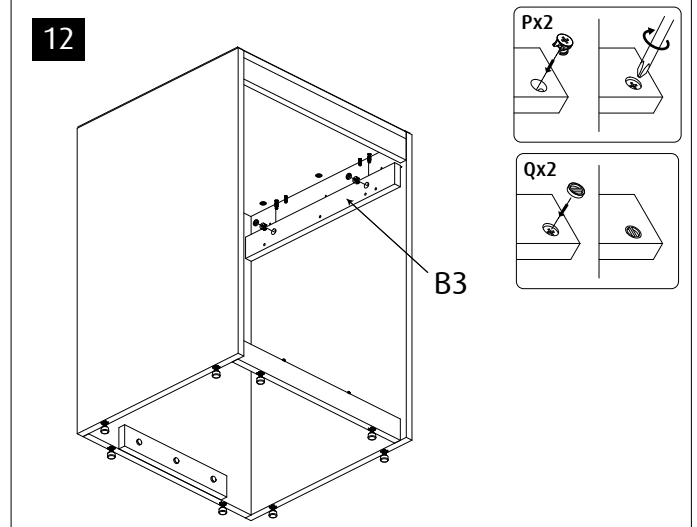
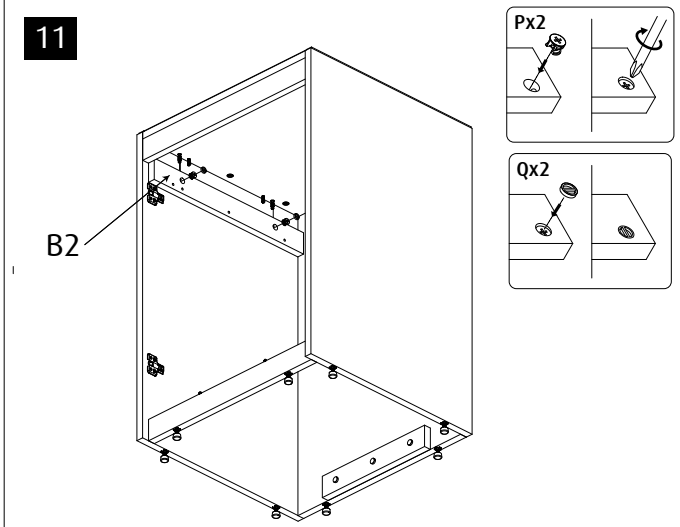
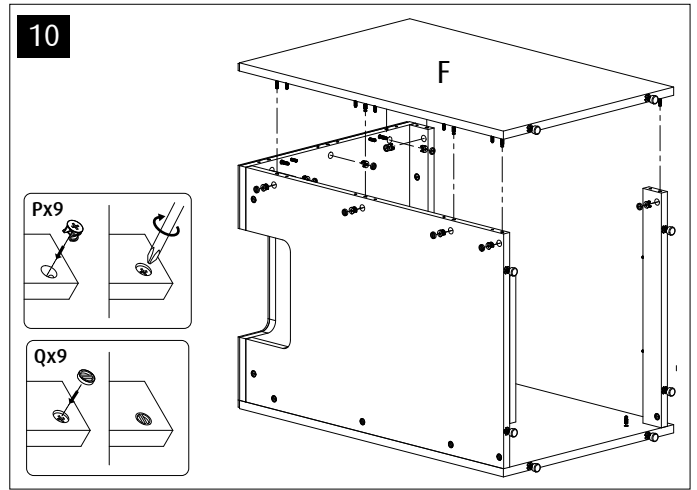
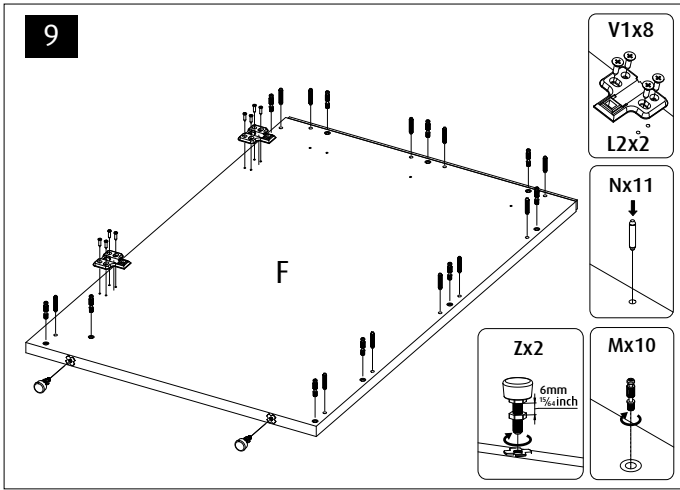
Cabinet



Label	Part Description	170 G2		200 G2	
		BLACK	WHITE	BLACK	WHITE
A	Cabinet Bottom	5272G2		7672B	
B1	Cabinet Rear	7674B		7674B	
B2	Cabinet Side Top Support Left	4904G2-L		7680LB-G2	
B3	Cabinet Side Top Support Right	4904G2-R		7680RB-G2	
B4	Cabinet Rear Bottom Support	6132B		6132B	
C	Cabinet Top (Located under the glass tank)	4899G2		7671B	
D	Cabinet Door 60	5275B	5275W	5275B	5275W
E	Cabinet Front Upper	7676B		7676B	
F	Cabinet Side Left	4900G2-B	4900G2-WB	7679B-G2	7679WB-G2
G	Cabinet Side Right	4901G2-B	4901G2-WB	7678B-G2	7678WB-G2
H	Cabinet Socket	7673B	7673WB	7673B	7673WB

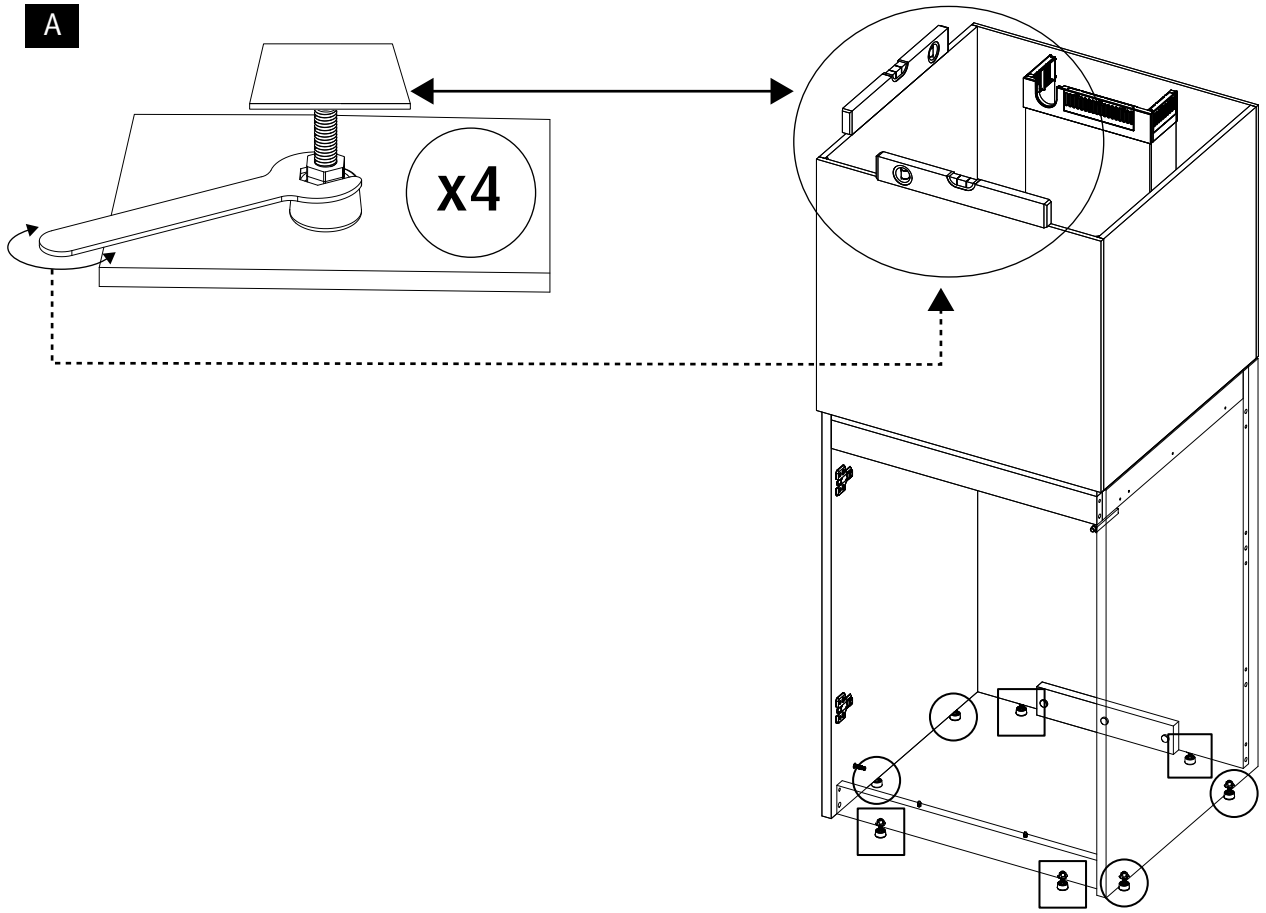
		170/200	
L1		2	
L2		2	
M		28	
N		32	
P		28	
Q		28	
R		1	
S		1	
V1		12	
V2		2	
V3		11	
W		11	
ZP	ZW	ZB	8





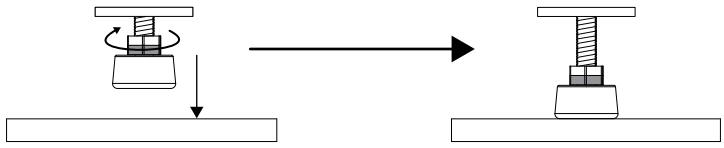
17

A



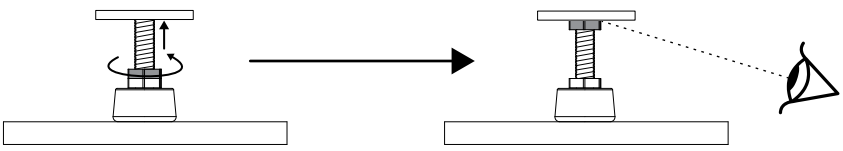
B

x4

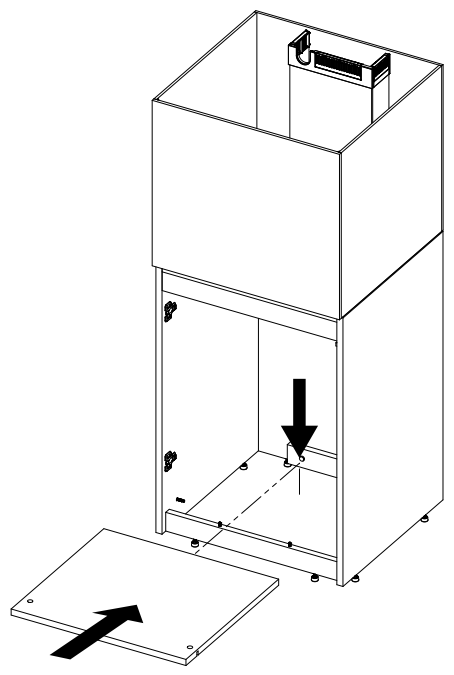


C

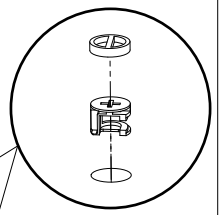
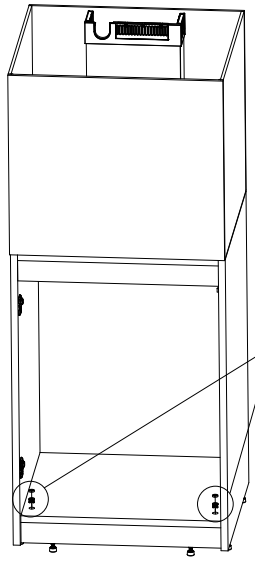
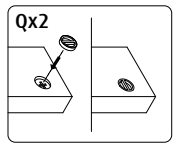
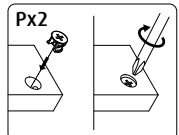
x8



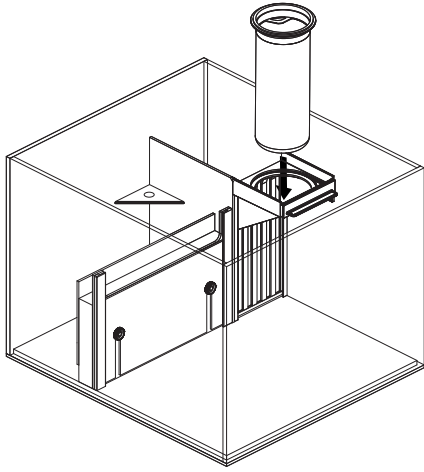
18



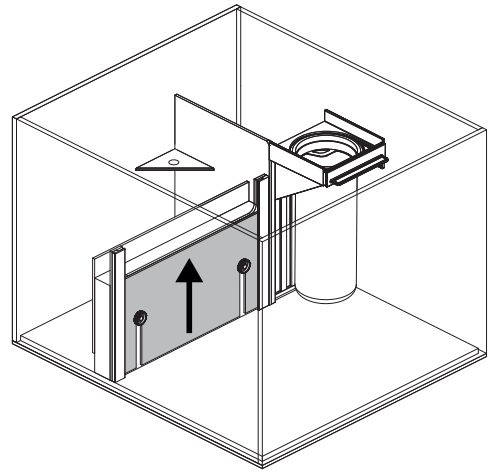
19



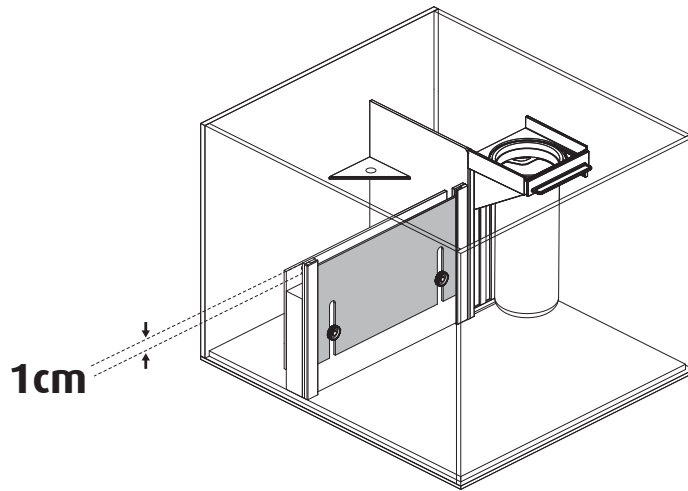
19



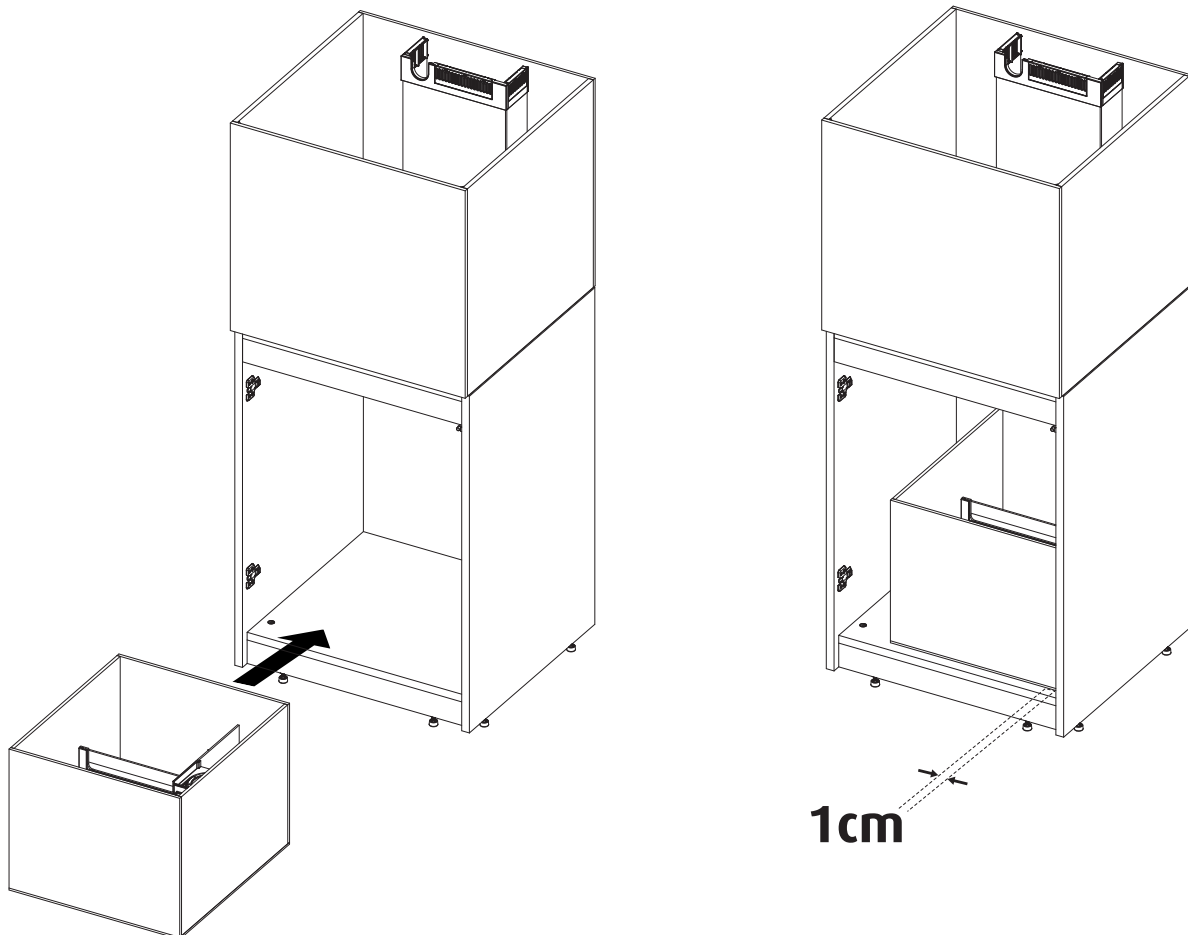
20



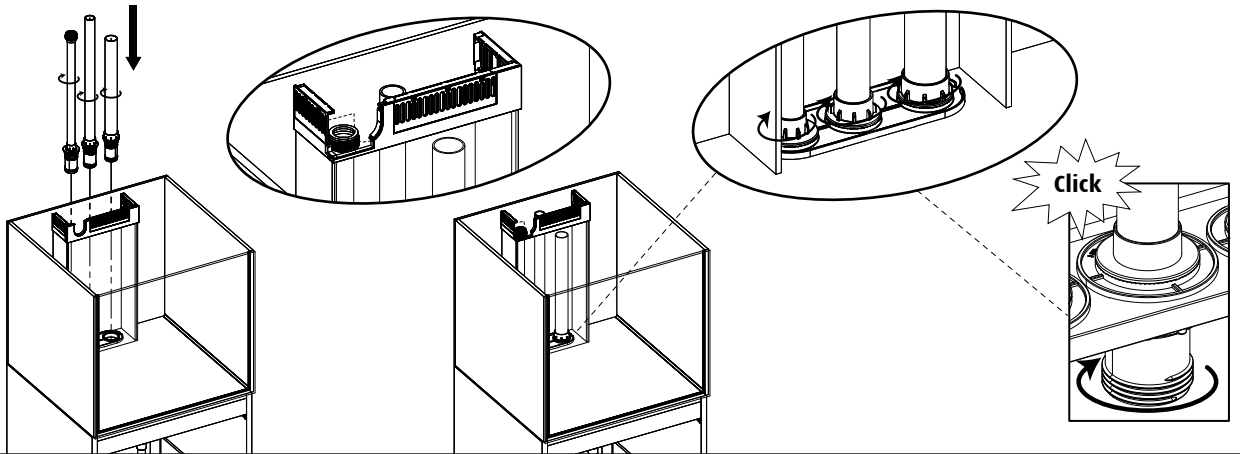
21



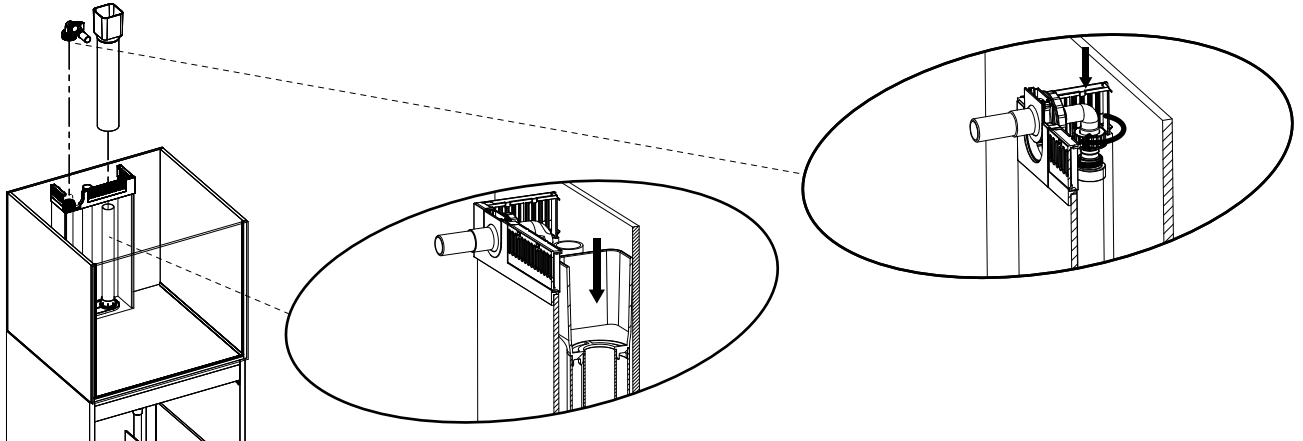
22



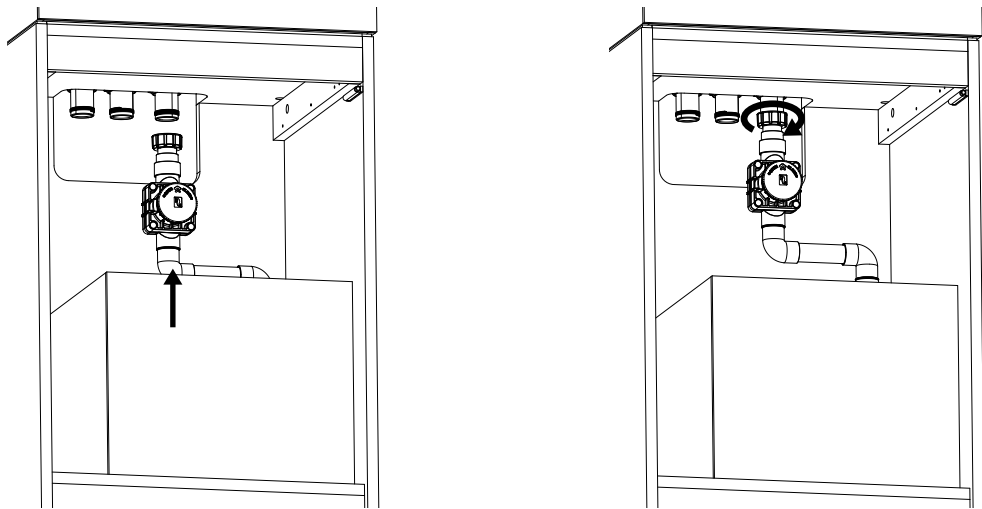
23



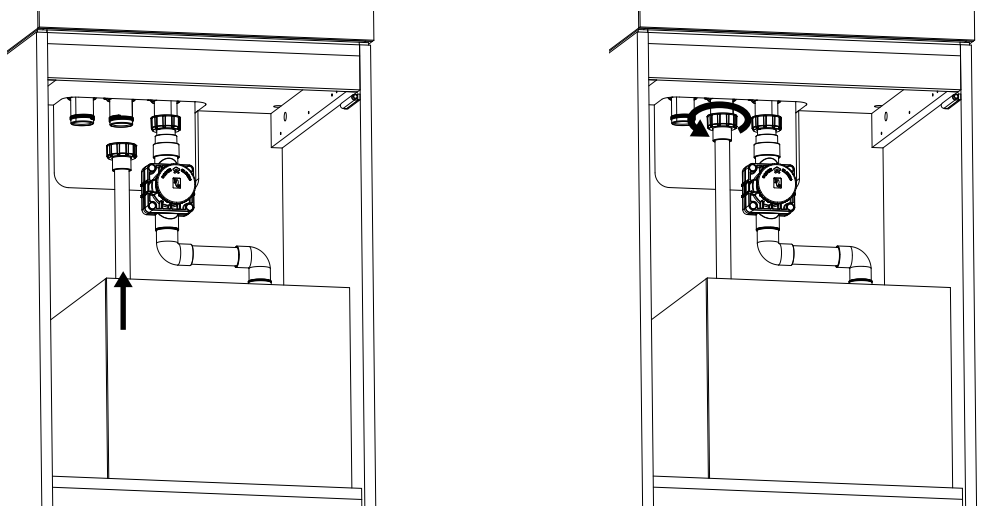
24



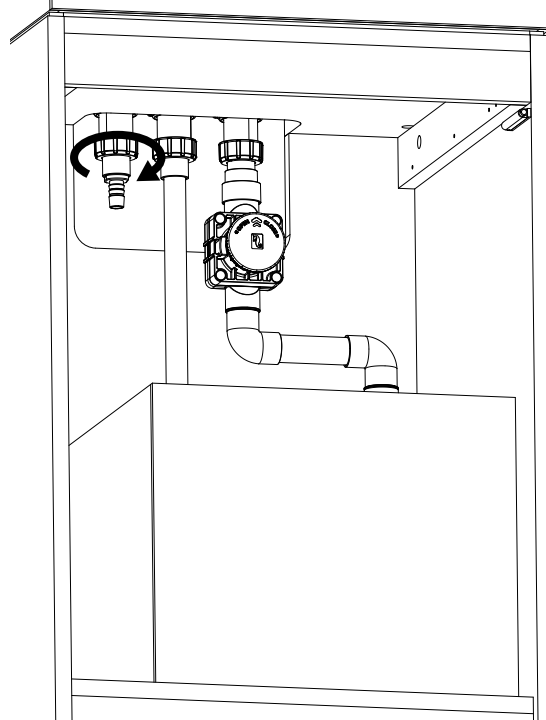
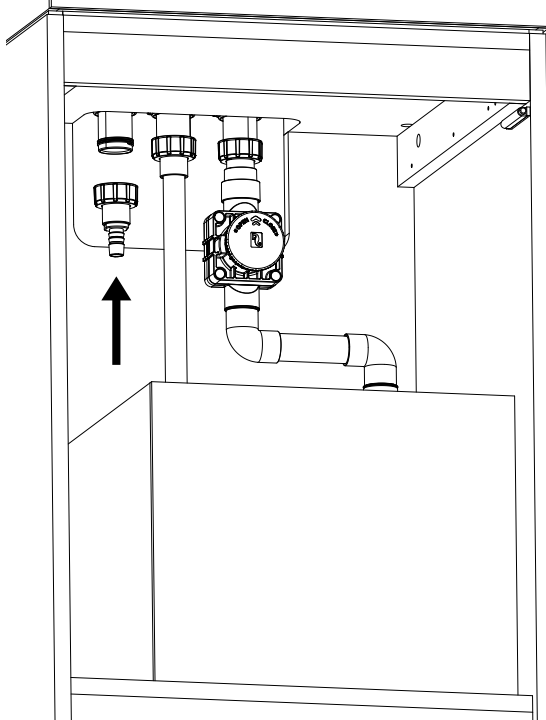
25



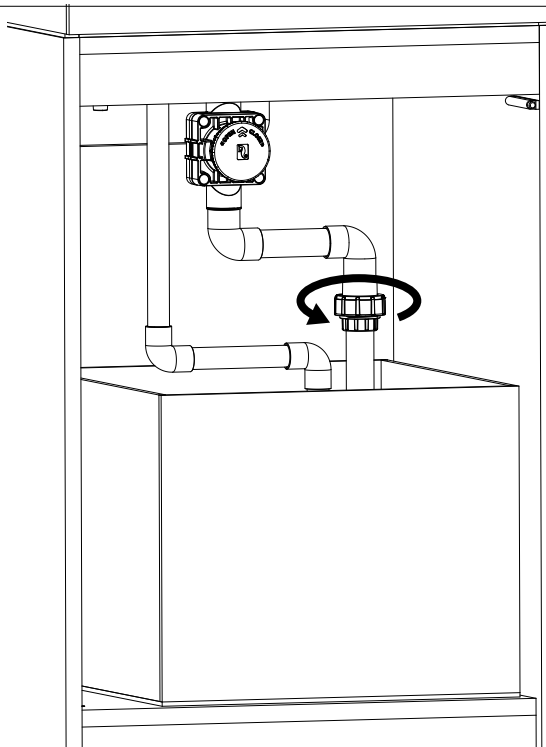
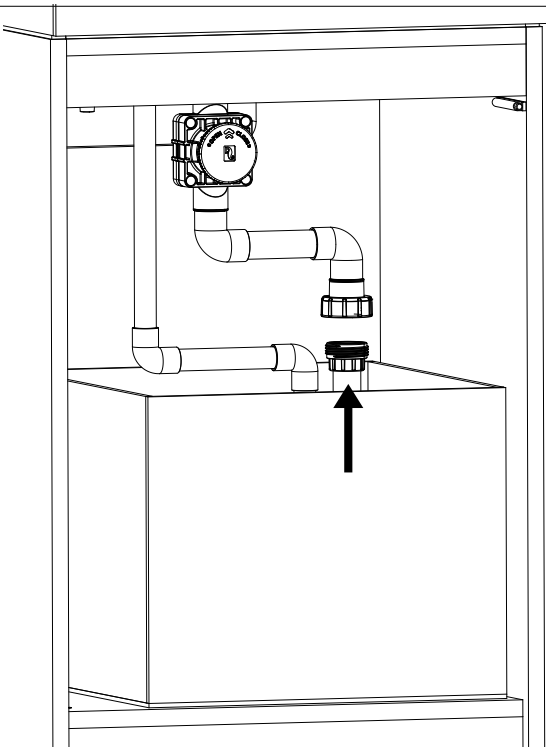
26



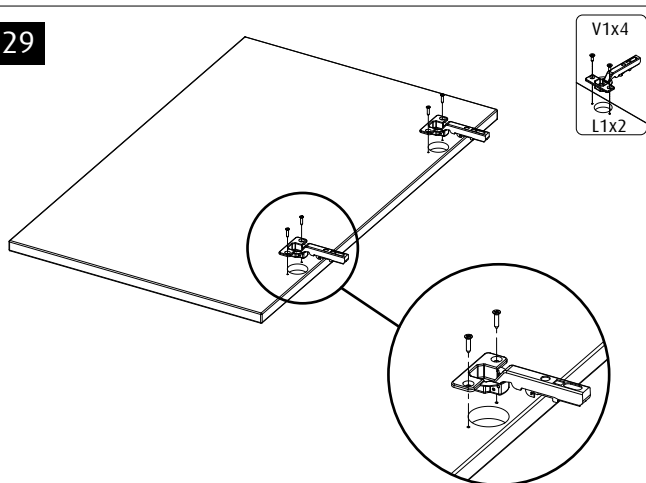
27



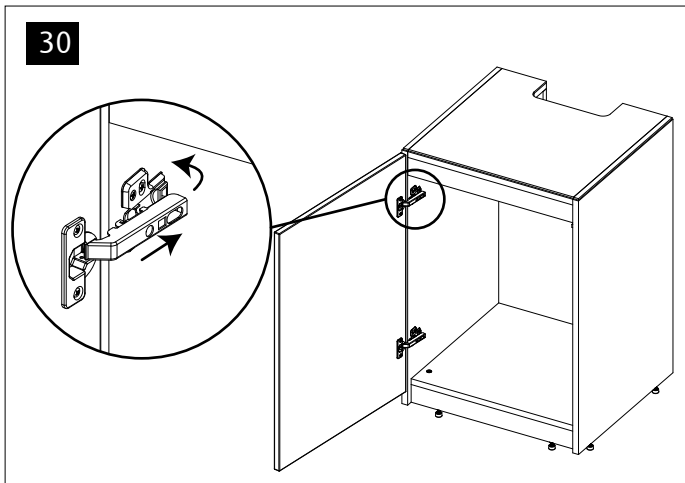
28

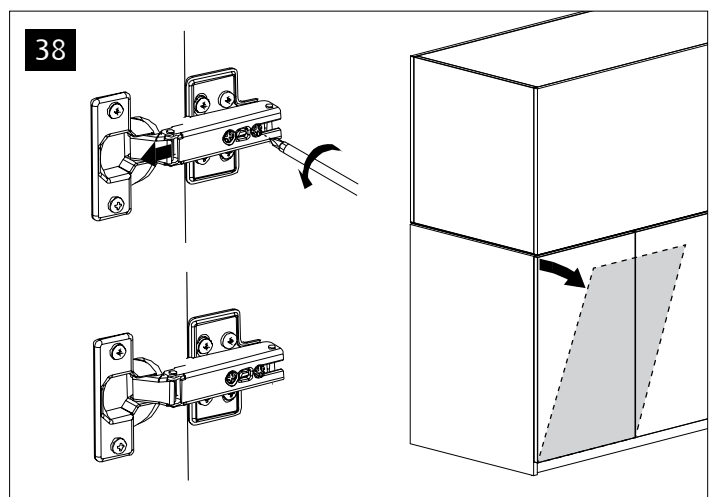
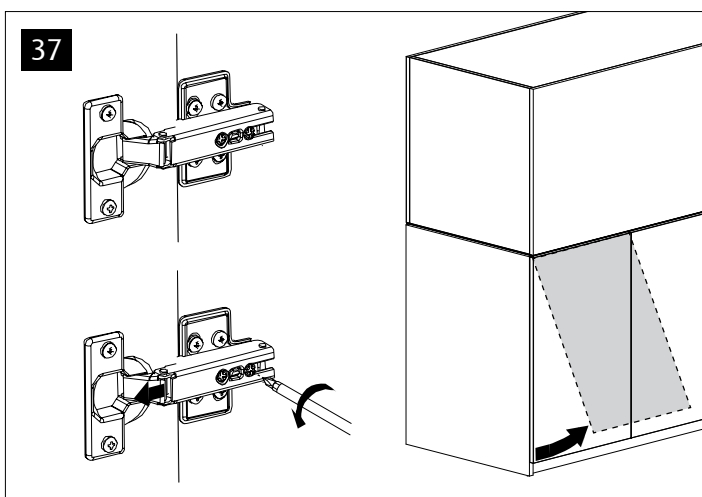
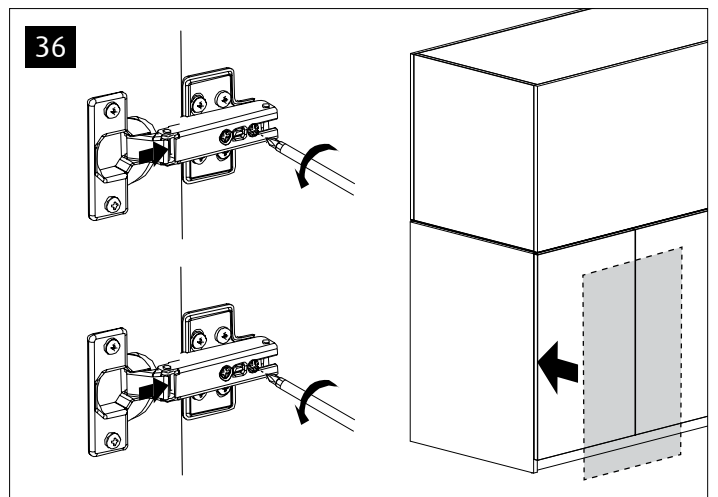
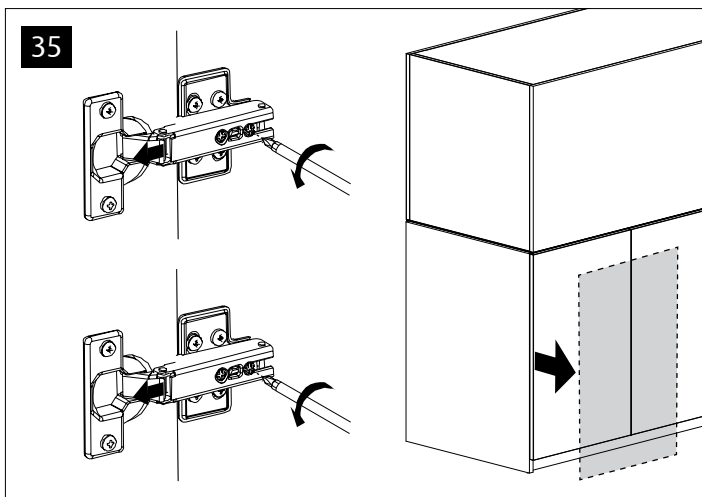
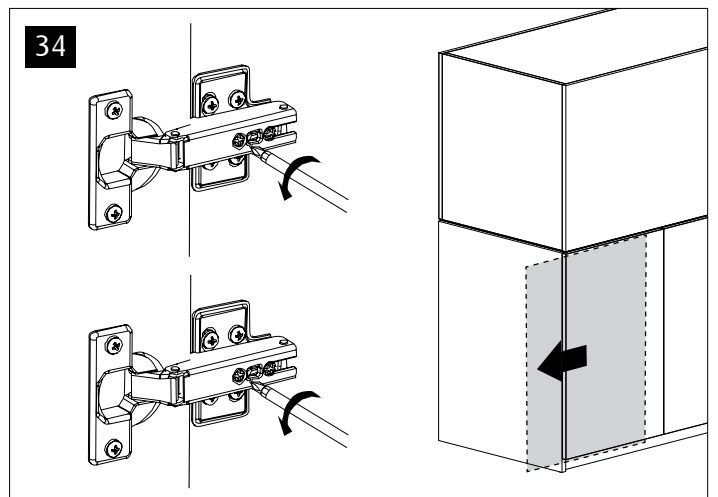
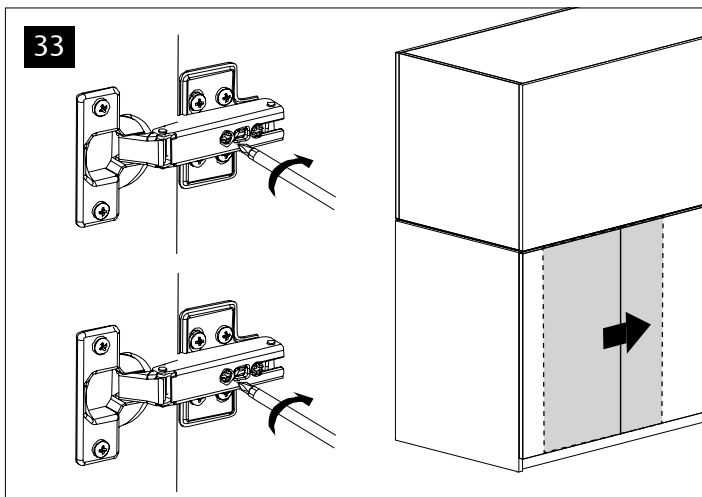
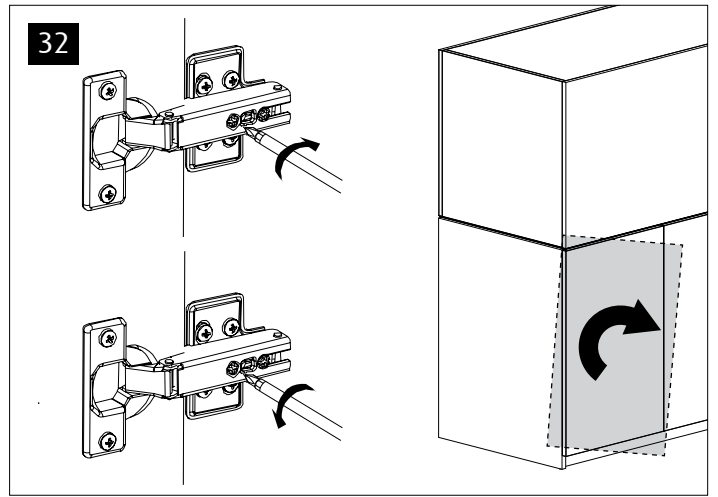
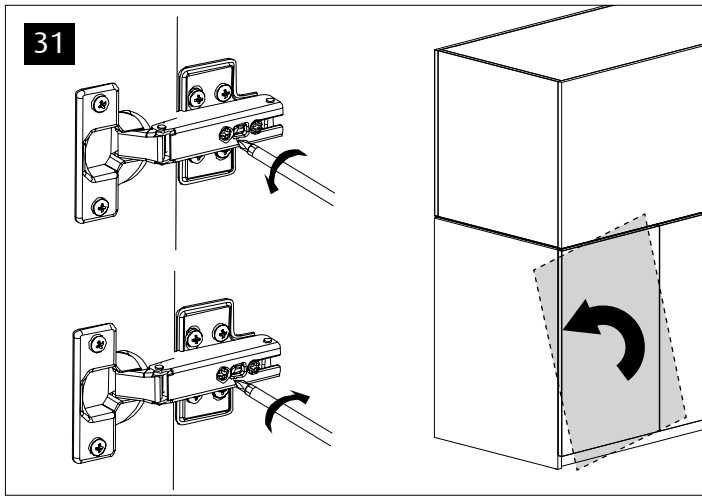


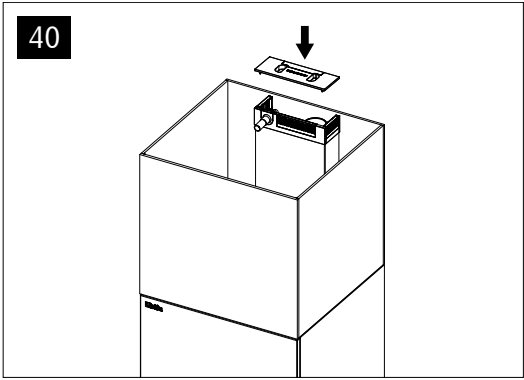
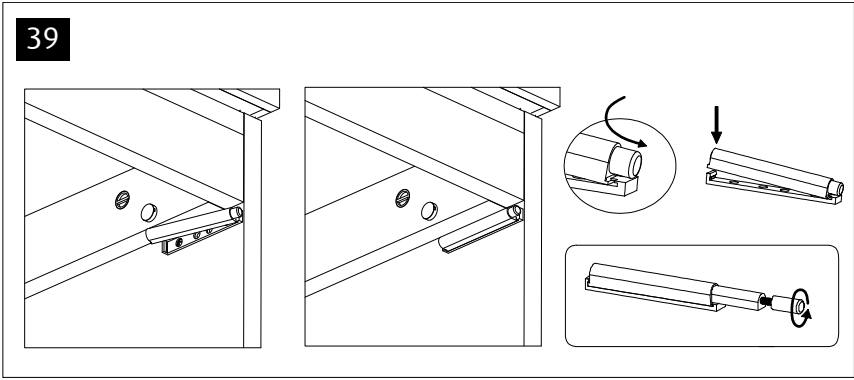
29



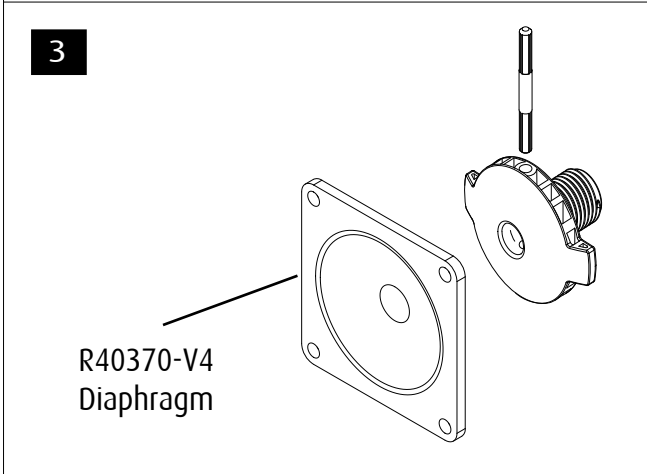
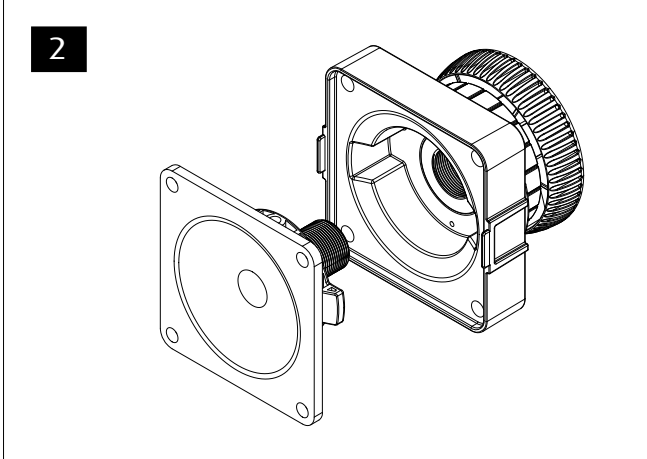
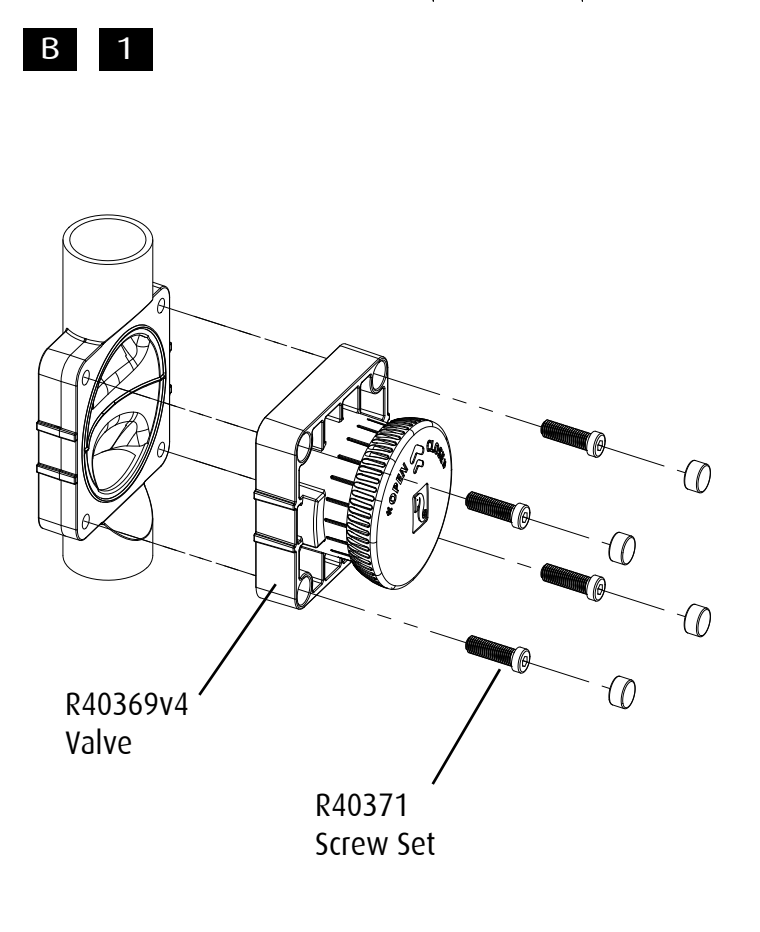
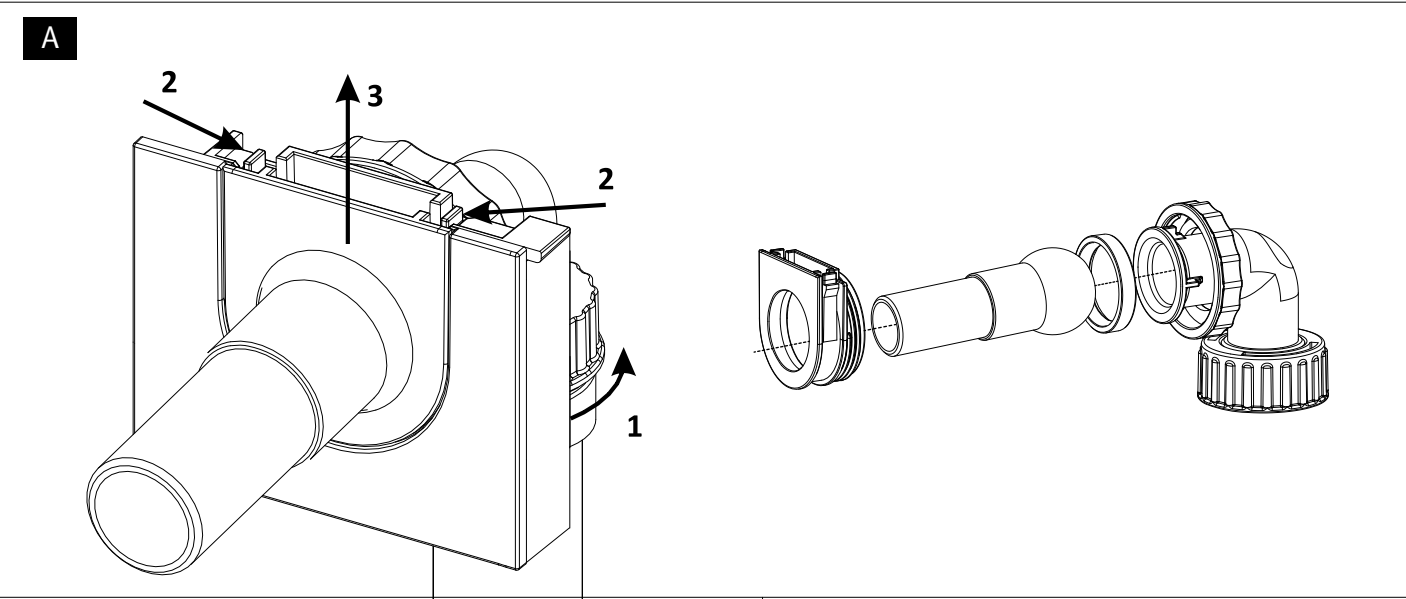
30







MAINTENANCE



Europe

Red Sea Europe
655 Rue des Frères Lumière
27130 Verneuil d'Avre et d'Iton,
France
support.fr@redseafish.com

UK & Ireland

Red Sea Aquatics (UK) Ltd
PO Box 1237
Cheddar, BS279AG
uk.info@redseafish.com

North America

Red Sea U.S.A & Canada
4687 World Houston Parkway
#200
Houston, TX 77032, U.S.A
support.usa@redseafish.com

Germany & Austria

Red Sea Deutschland
Büro Deutschland
Prinzenallee 7 (Prinzenpark)
40549 Düsseldorf
support.de@redseafish.com

China

Red Sea Aquatics (GZ) Ltd.
Block 2-4, No.168, West Yingbin
Road, Xinhua Industrial Park,
Huadu District, Guangzhou City,
China, Postal code 510812.
Tel: +86-020-6625 3828
info.china@redseafish.com