

# Red Sea REEFER-S

850 G2+ & 1000 G2+

---

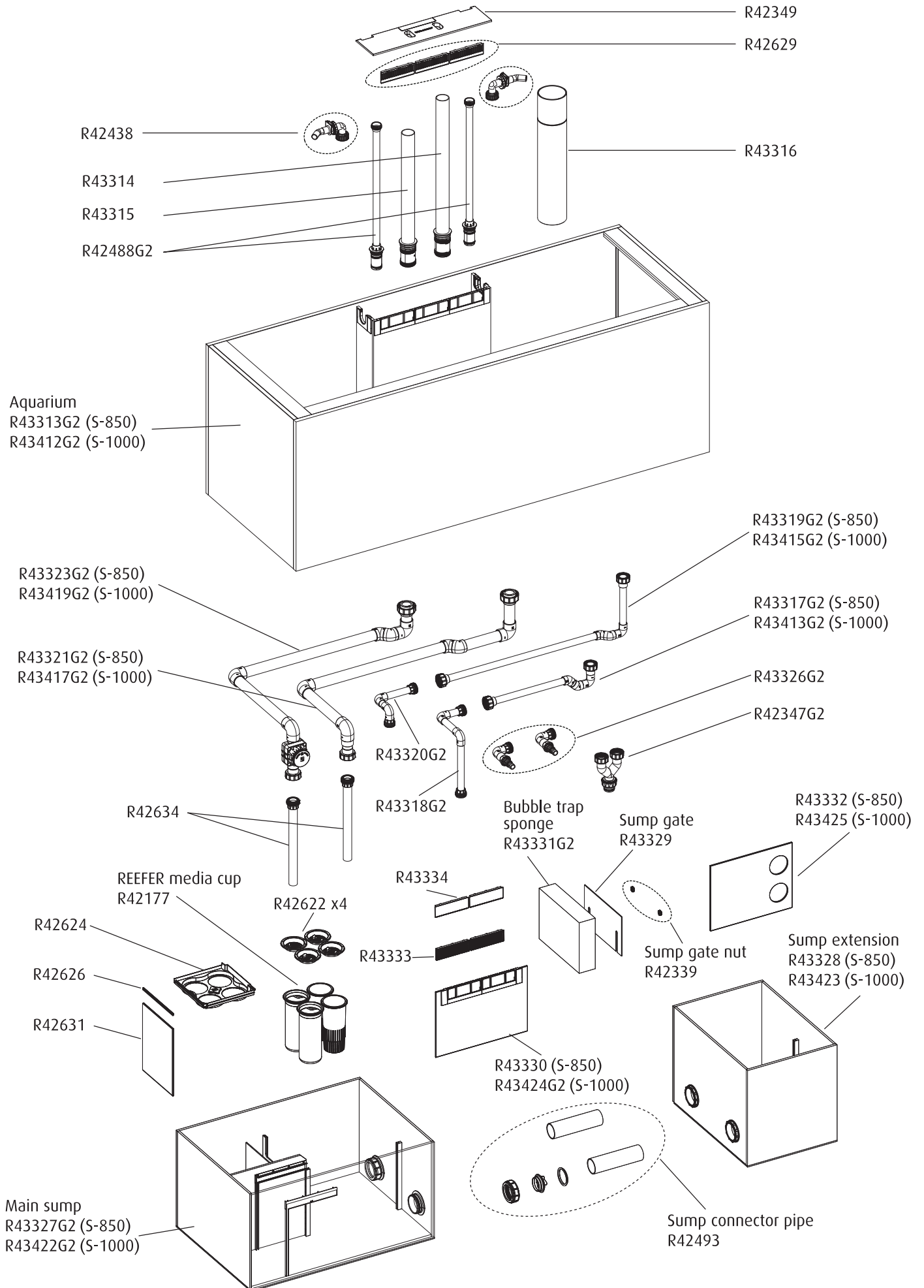
Aquarium & Cabinet Assembly Manual



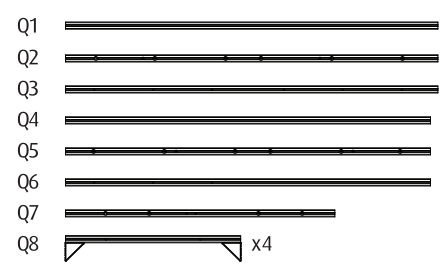
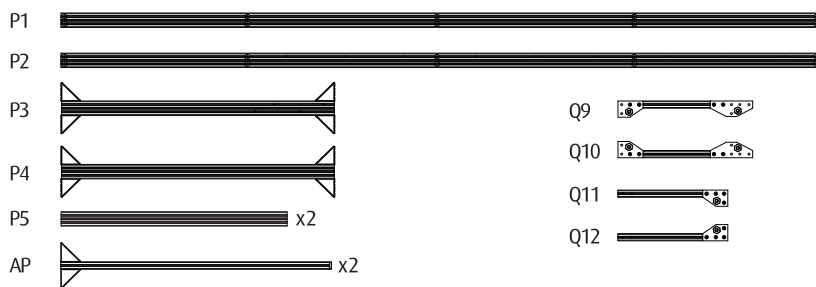
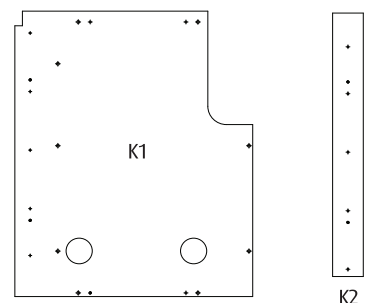
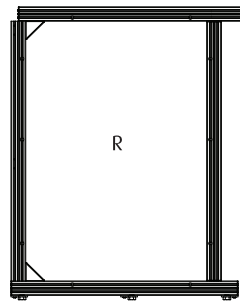
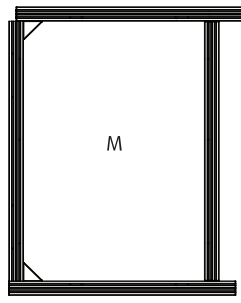
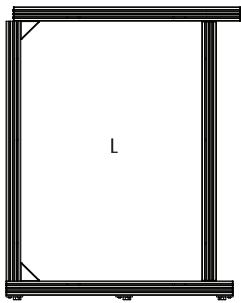
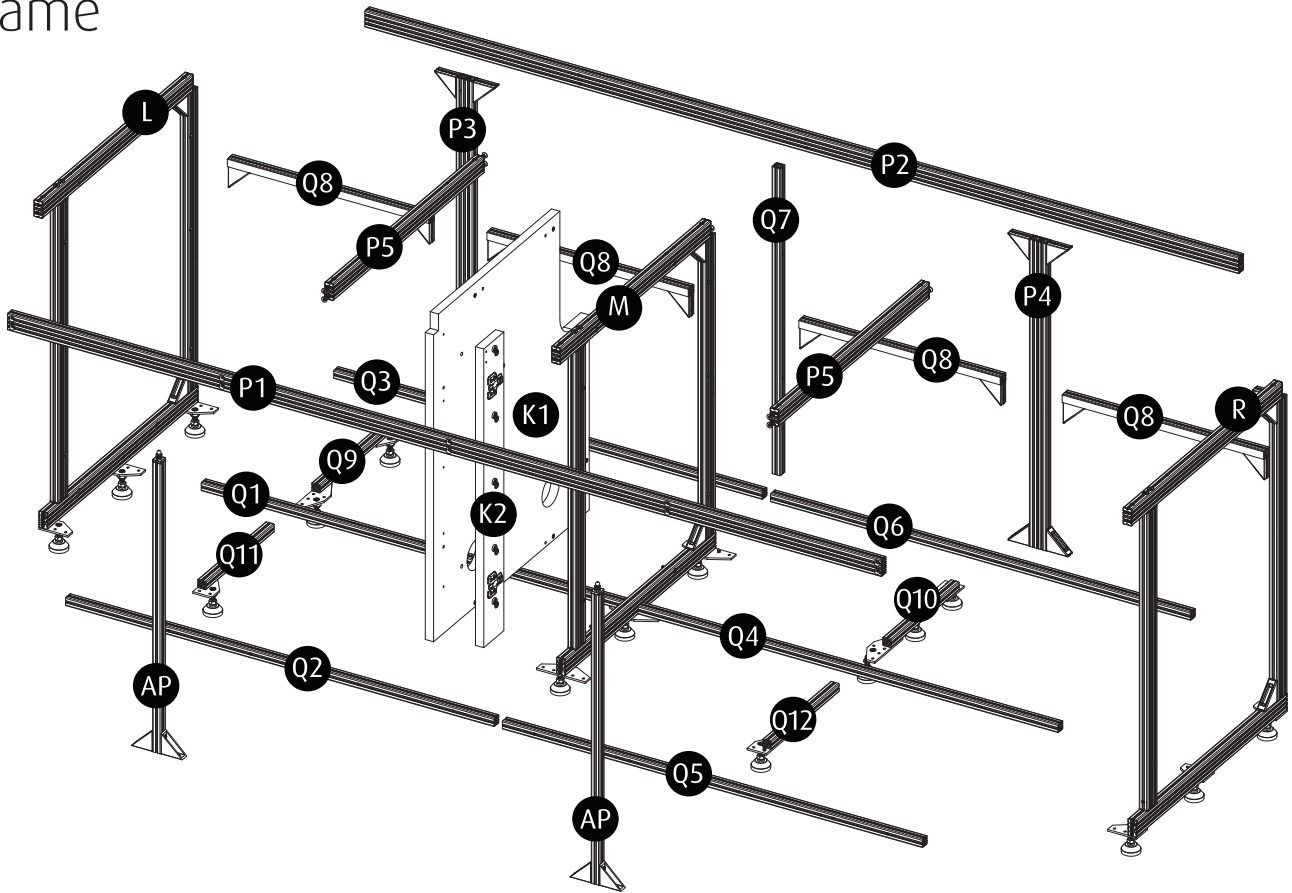
Resource & Support Center:  
[www.redseafish.com/support/](http://www.redseafish.com/support/)



# Aquarium Water Management System



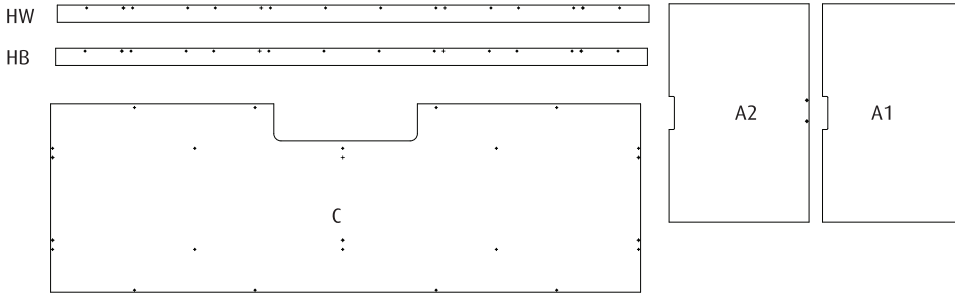
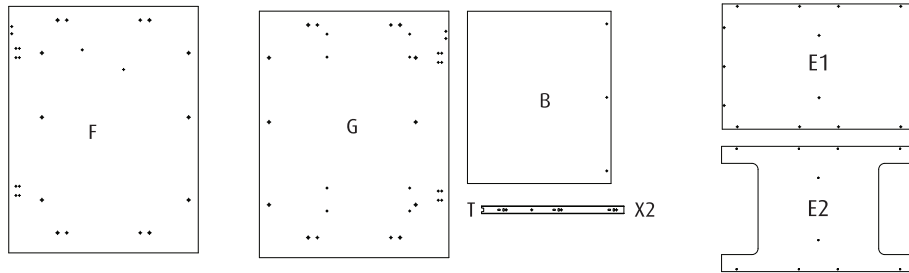
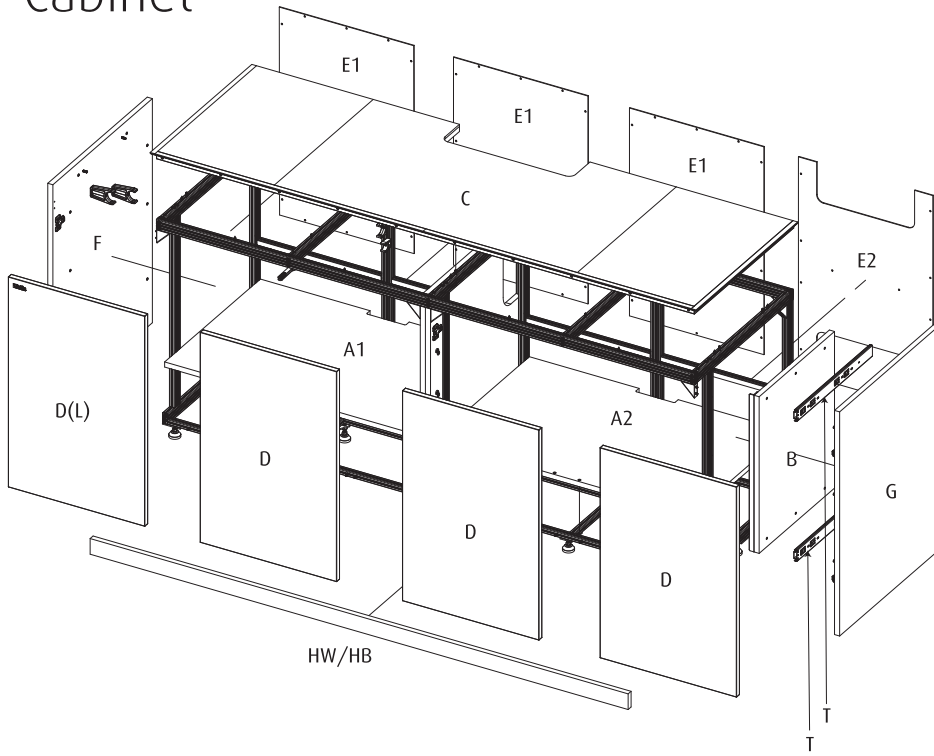
# Frame



Label	Part Description	S-850 G2	S-1000 G2
L	Left Frame	7840	
M	Mid Frame	7841	
R	Right Frame	7842	
P1	Top Front Horizontal Profile	7838-1	7839-1
P2	Top Rear Horizontal Profile	7838-2	7839-2
P3	Rear Center Left	7837L-G2	
P4	Rear Center Right	7837R	
P5	Top Center	7833-1	
AP	Front Support	7858	
Q1	Base Mid Horizontal (860/1010)	7870-1	7883-1
Q2	Base Front Horizontal (860/1010)	7870-2	7883-2
Q3	Base Rear Horizontal (860/1010)	7870-3	7883-3

Label	Part Description	S-850 G2	S-1000 G2
Q4	Base Mid Horizontal (840/990)	7869-1	7884-1
Q5	Base Front Horizontal (840/990)	7869-2	7884-2
Q6	Base Rear Horizontal (840/990)	7869-3	7884-3
Q7	Rear Mid Support	7871	
Q8	Rear Center Support Horizontal (400/475)	7873	7885
Q9	Base Center 02 Rear Left	7872-2L	
Q10	Base Center 02 Rear Right	7872-2R	
Q11	Base Center 01 Left	7872-1L	
Q12	Base Center 01 Right	7872-1R	
K1	Mid Board	8303	
K2	Hinge Board	8303-1	

# Cabinet

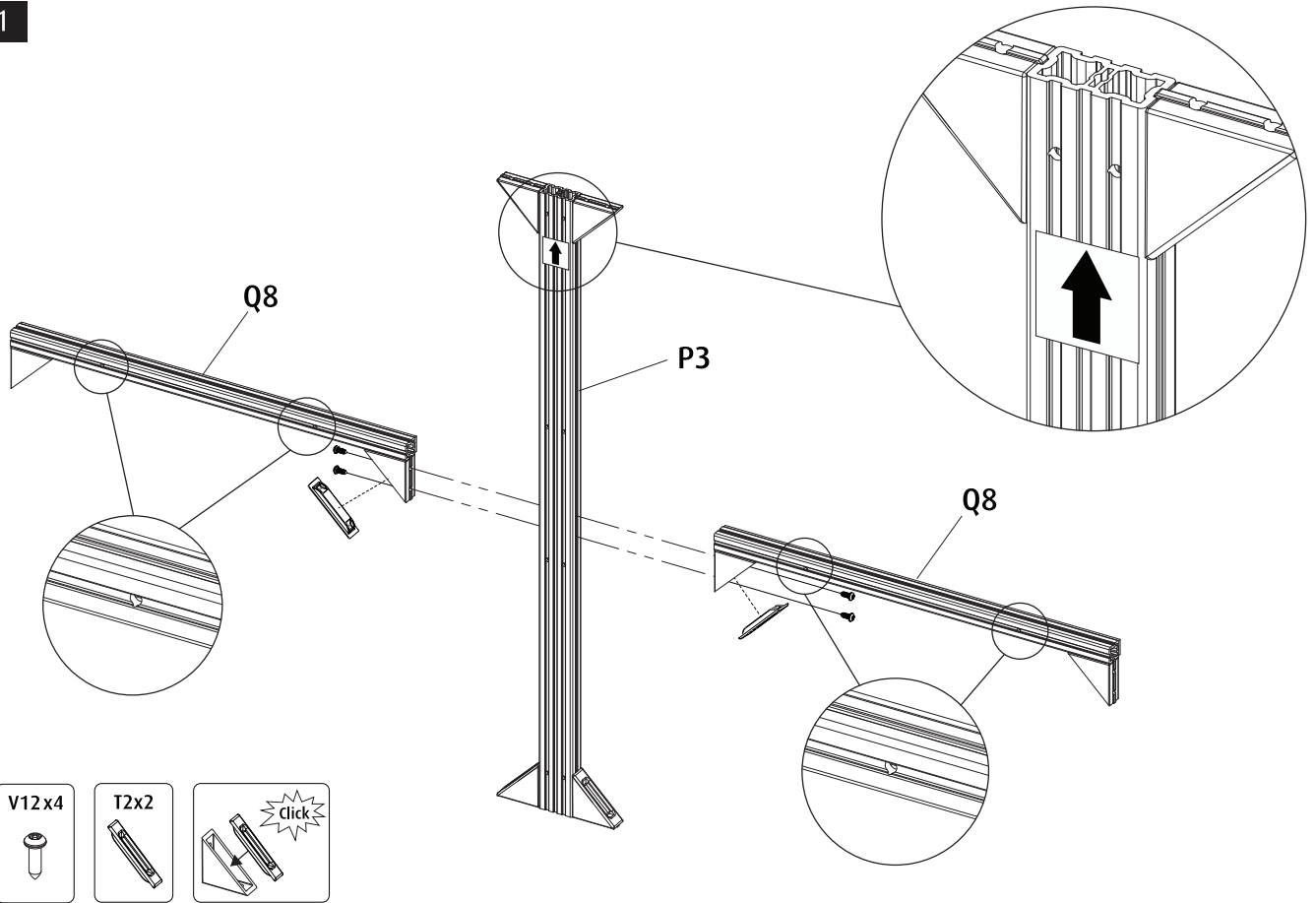


Label	Part Description	S-850 G2		S-1000 G2	
		BLACK	WHITE	BLACK	WHITE
A1	Cabinet Bottom Sump	8310		8311	
A2	Cabinet Bottom Chiller	8315		8316	
C	Cabinet Top board	7961A		7962A	
E1	ABS Panel	7846		7848	
E2	ABS Panel D SLOT	7847		7849	
F	Cabinet Side Left*	8320B-G2	8320WB-G2	8320B-G2	8320WB-G2
G	Cabinet Side Right*	8321B	8321WB	8321B	8321WB
HW	Cabinet Sockel - White	8299WB		8300WB	
HB	Cabinet Sockel - Black	8299B		8300B	
B	Control Board Plate	7959		7959	
T	extension slide (pair)	7866			
D	Door	5265B	5265W	8400B	8400W

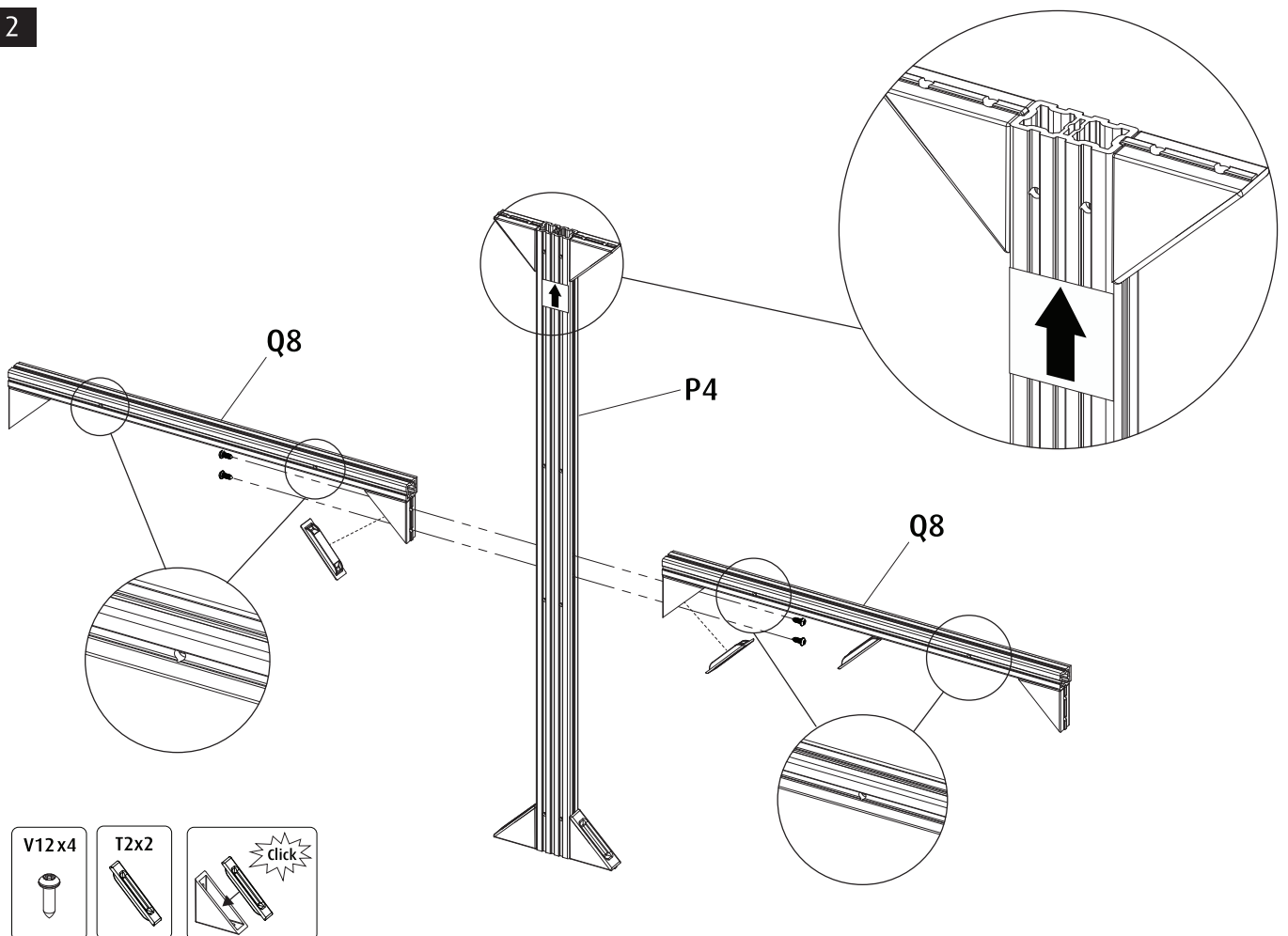
\* Packed with doors

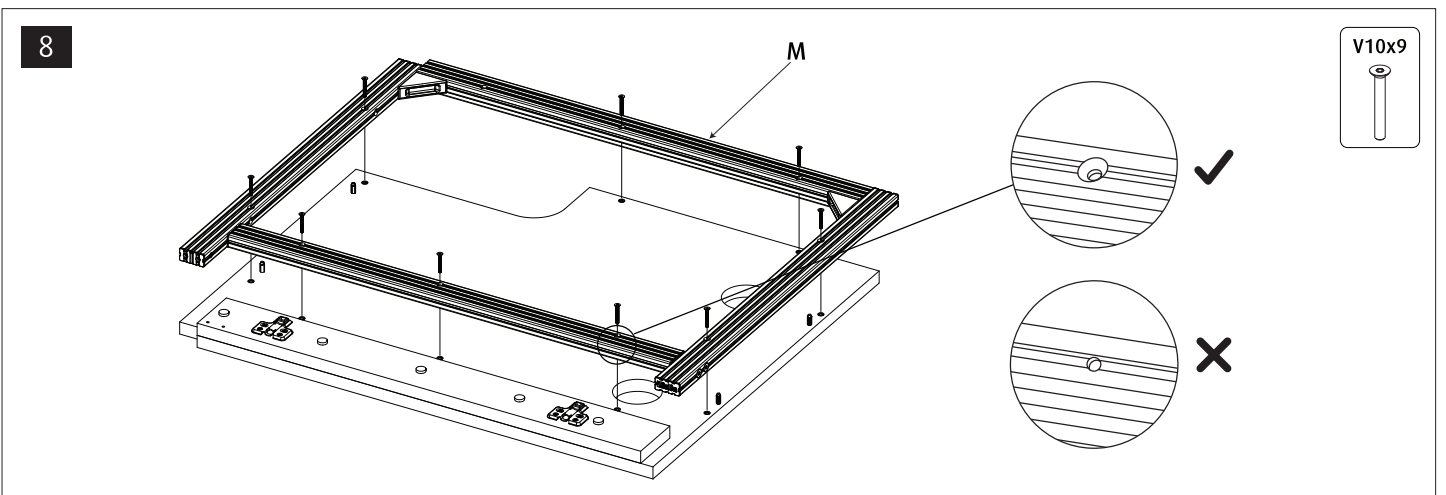
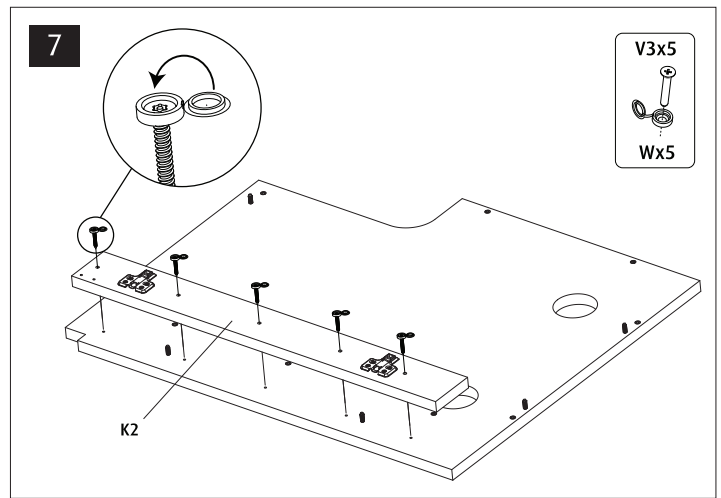
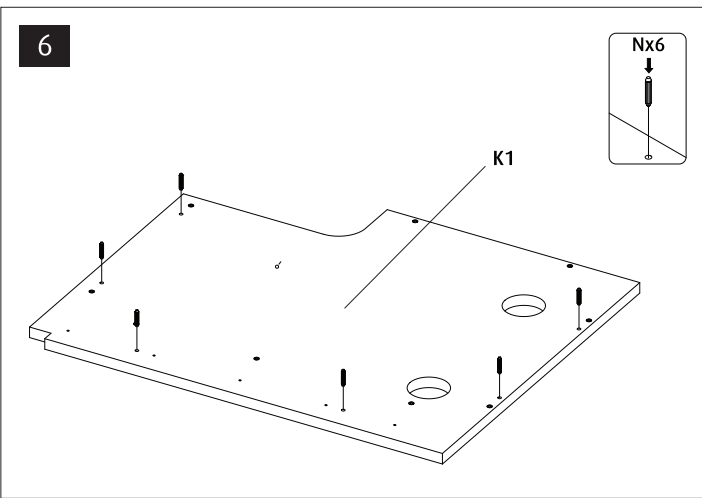
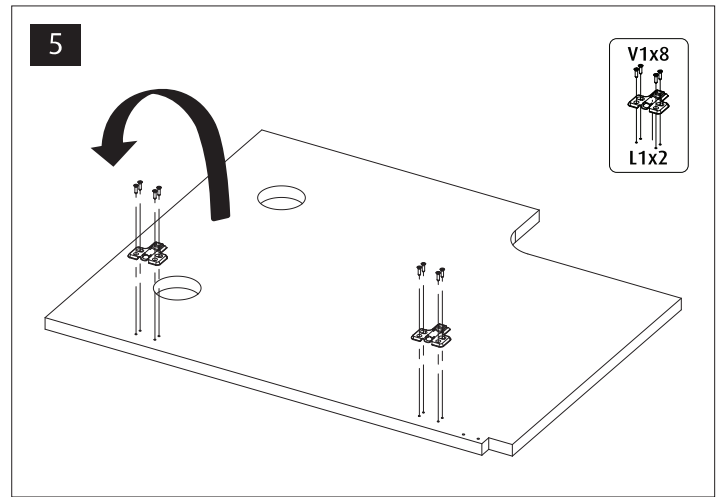
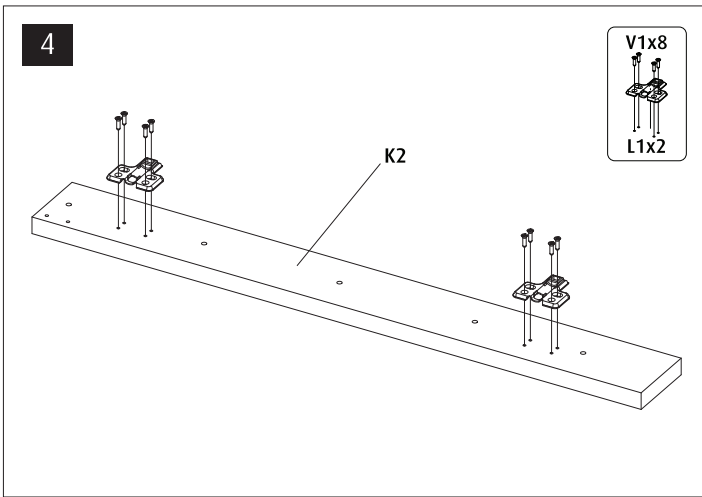
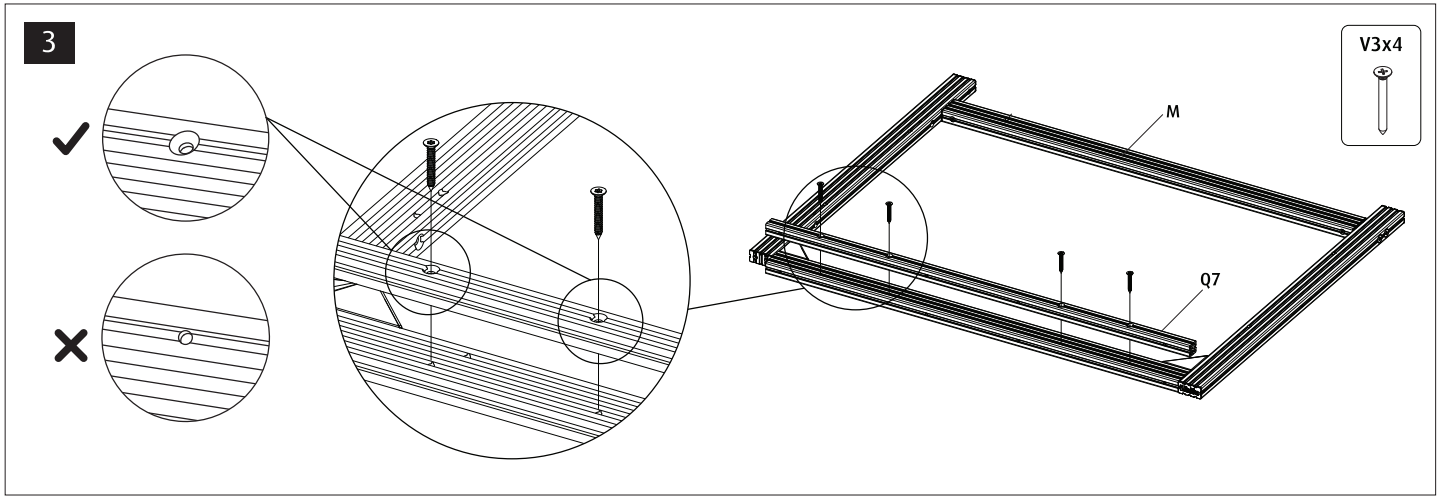
L1		8	V1	ST4x16	56
L2			V3	ST5x35	19 S-850 S-1000 23
N		26	V4	ST5x50	16
S		4	V5	ST5x70	2
S1		2	V8	M5x10	2
T1		1	V9	M6x10	4
T2		4	V10	M4x30	29
T3		27	V11	M6x35	20
W		71	V12	ST5x12	96
Y1		2	V14	P4x12	4
Y2		1	V15	ST5x16	60
Y2-1		1	V16	M4x12	6
Y3		2	V2		2
FM1		1	Z		15
FM2		2	U		4

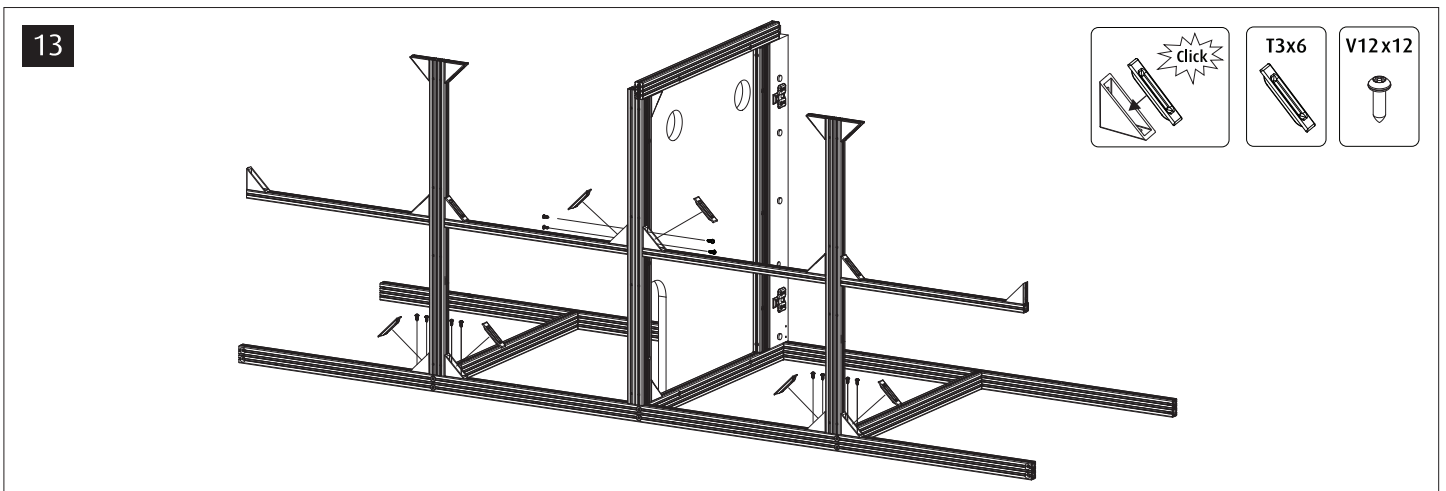
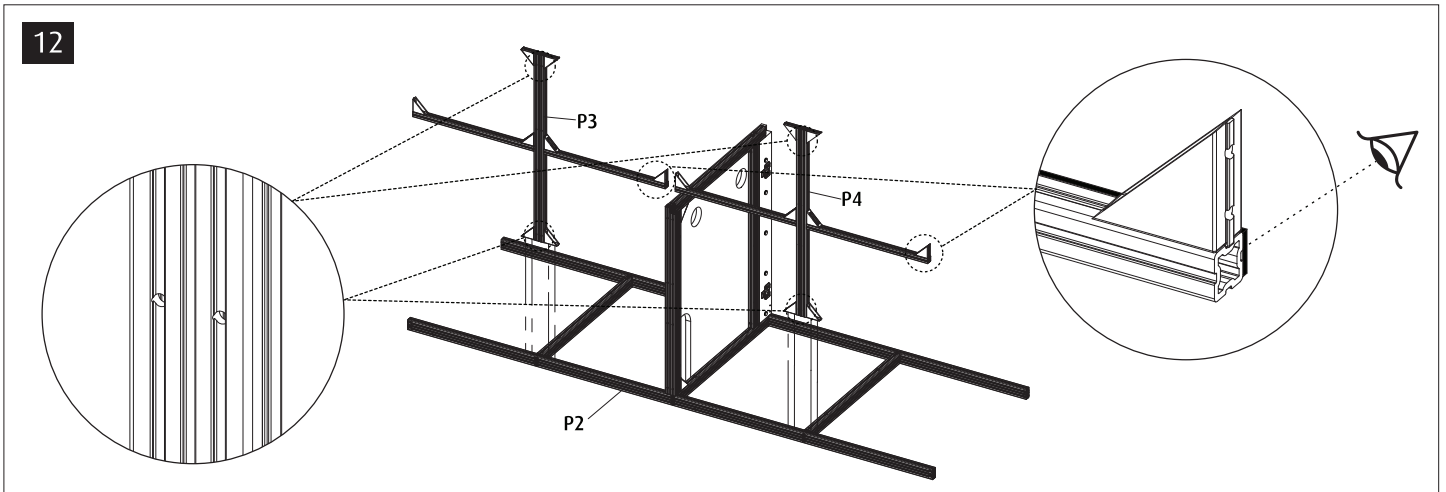
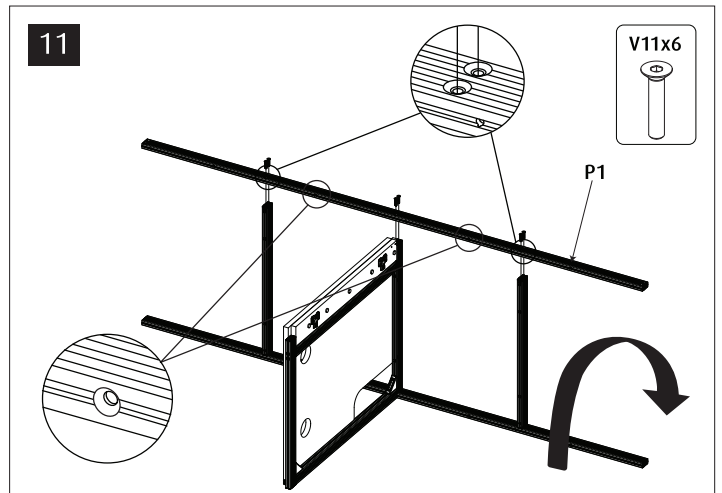
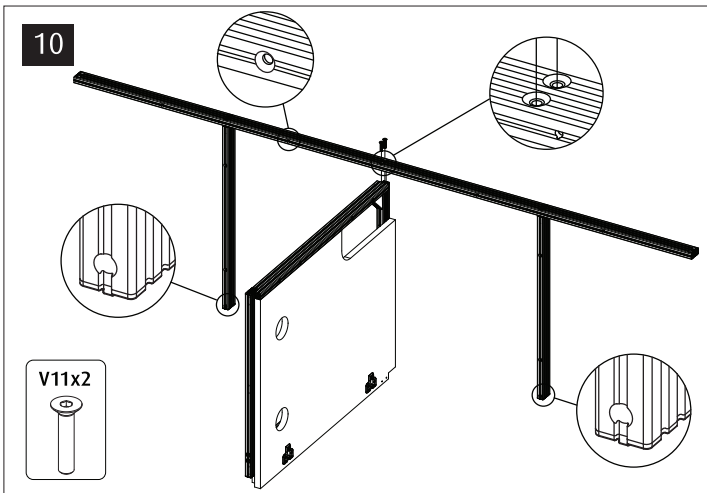
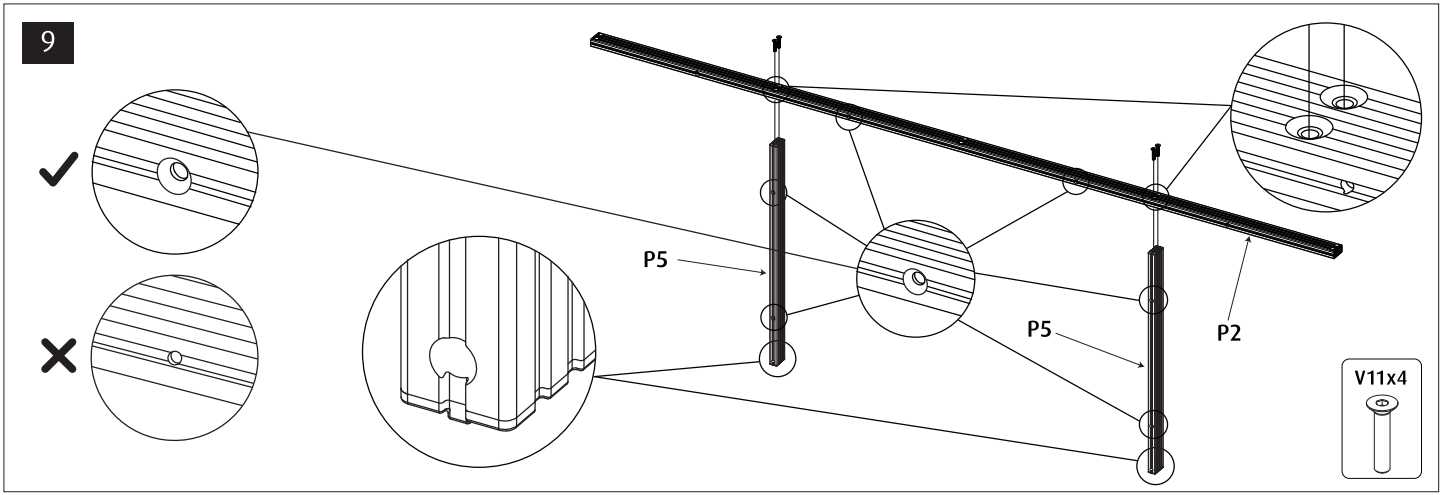
1



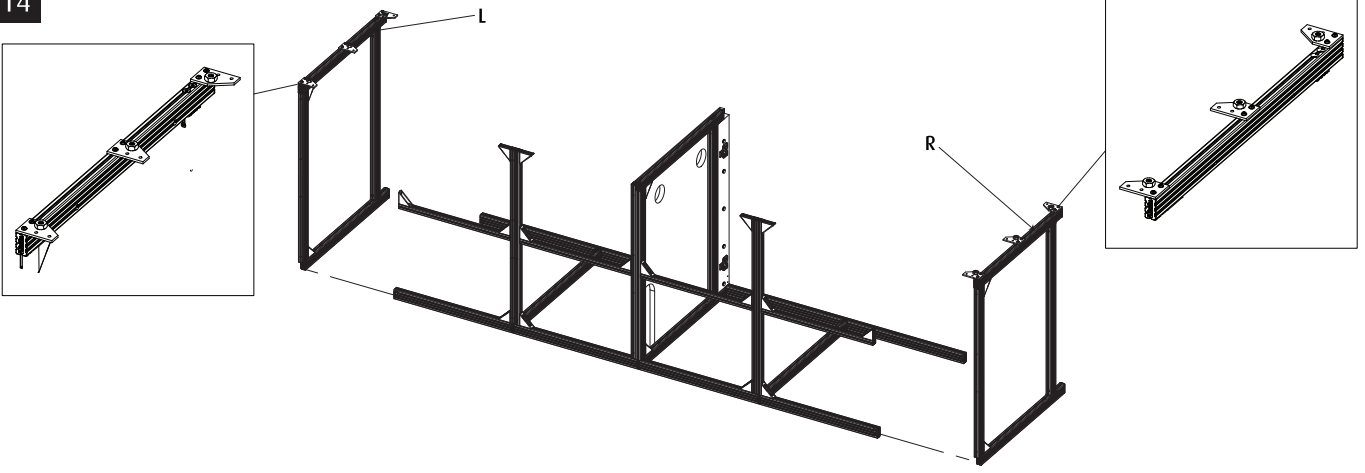
2



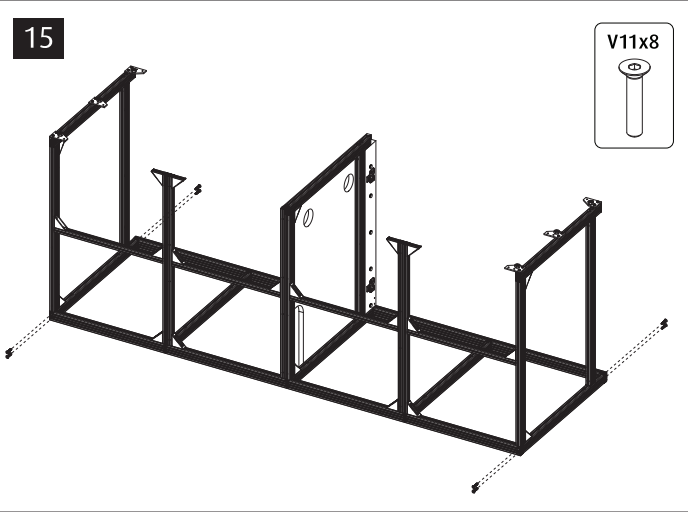




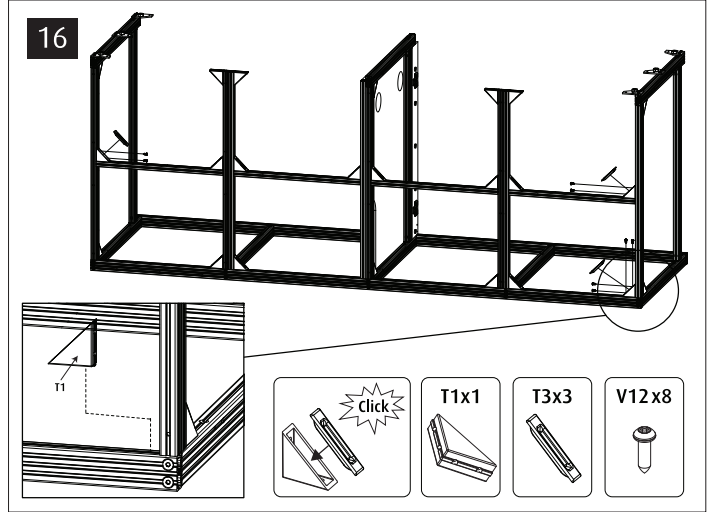
14



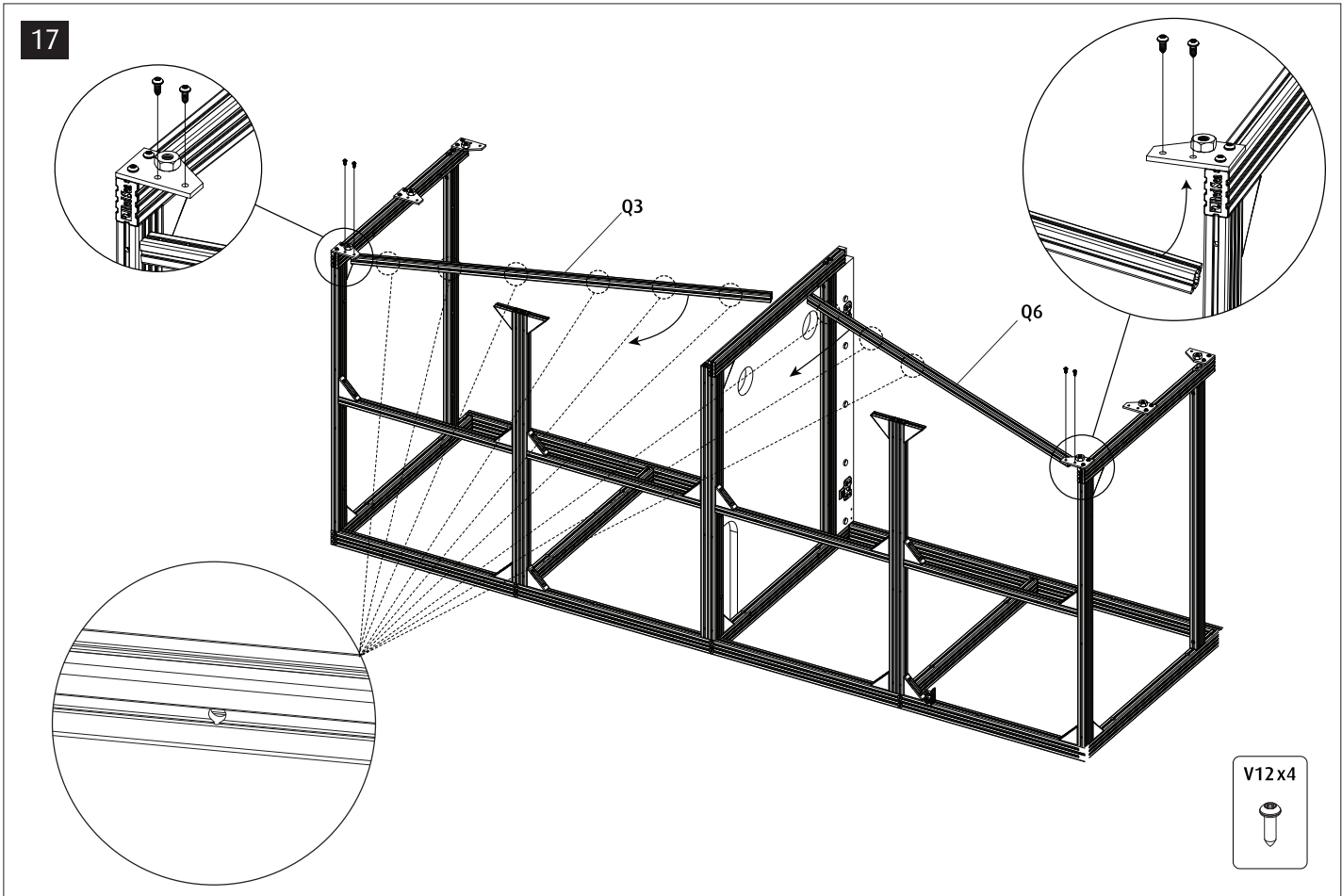
15



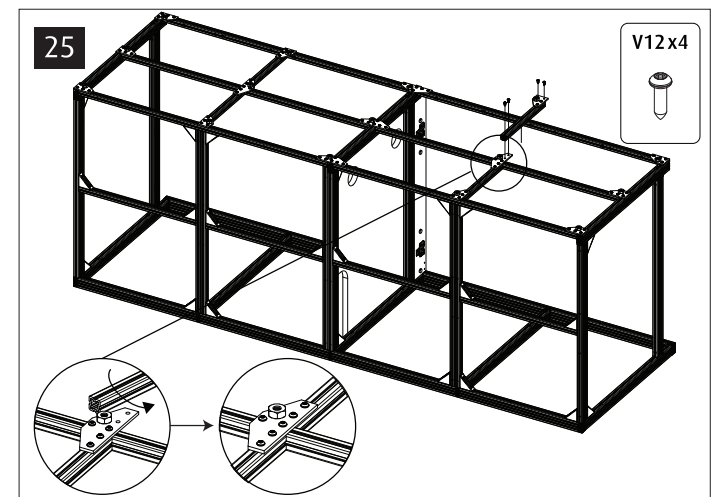
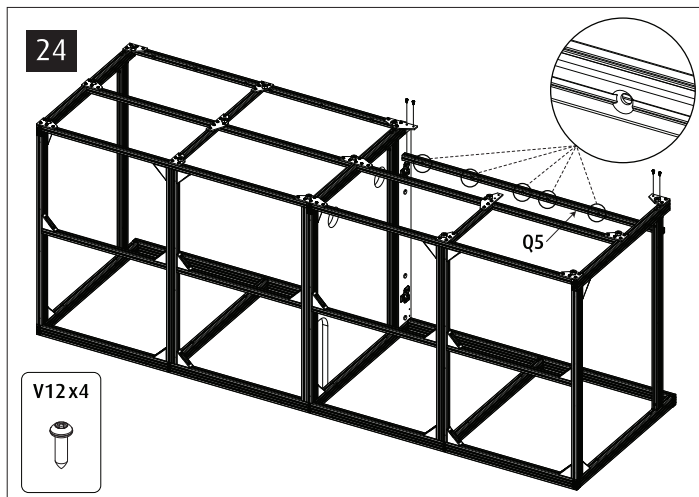
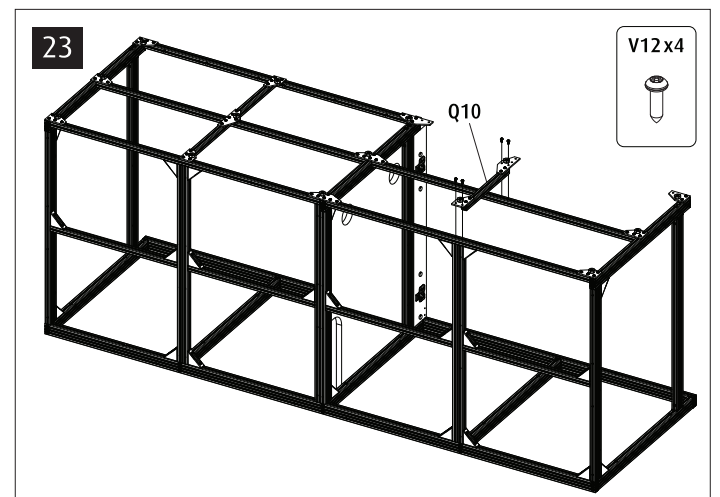
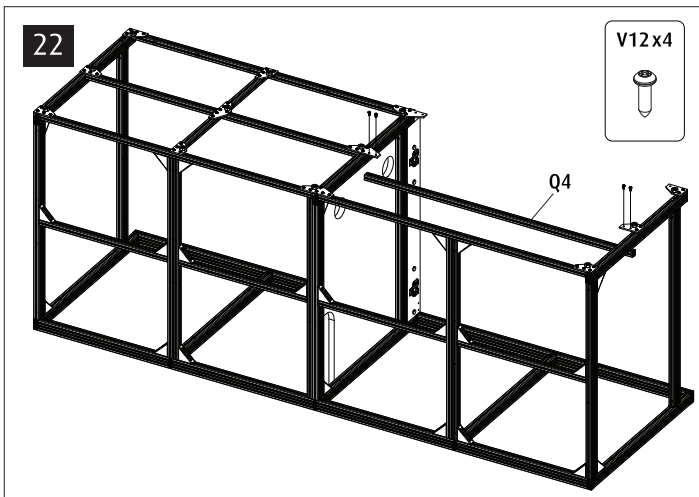
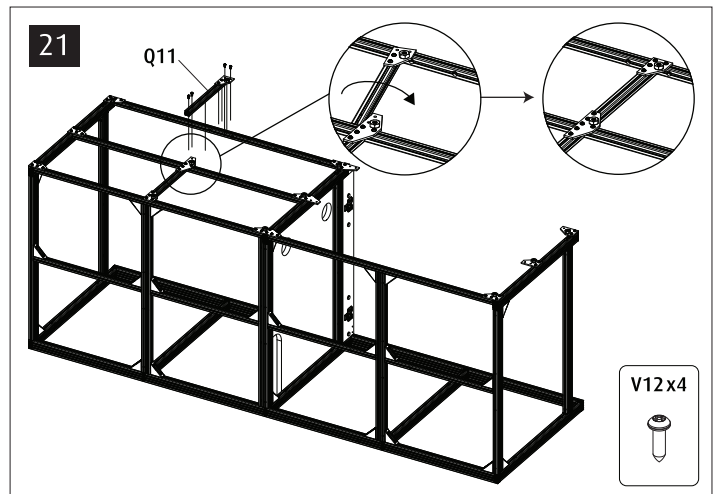
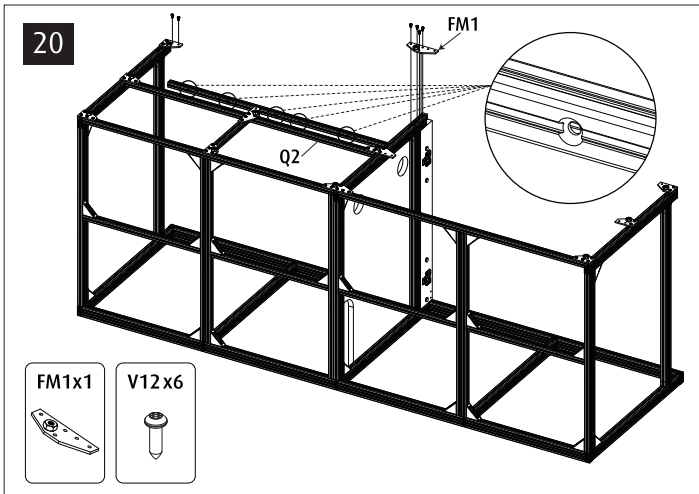
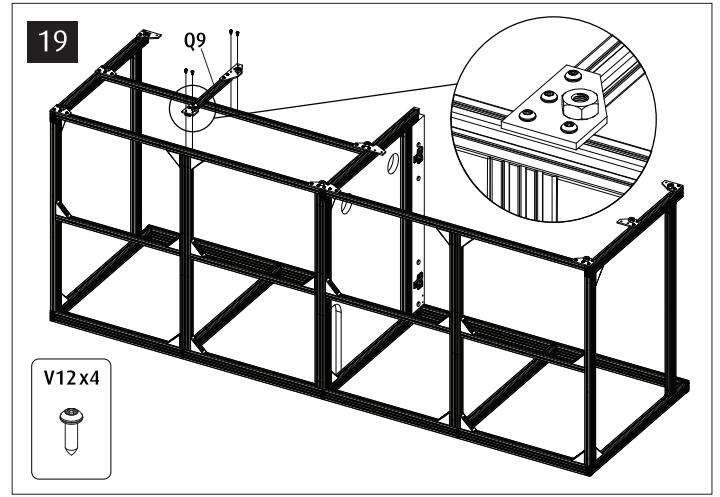
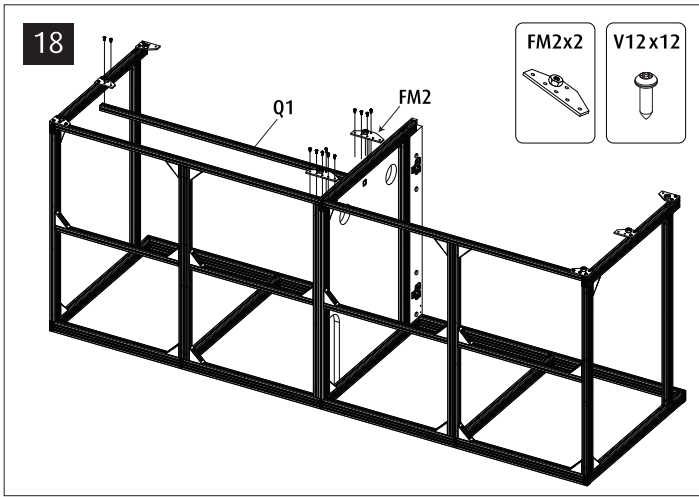
16

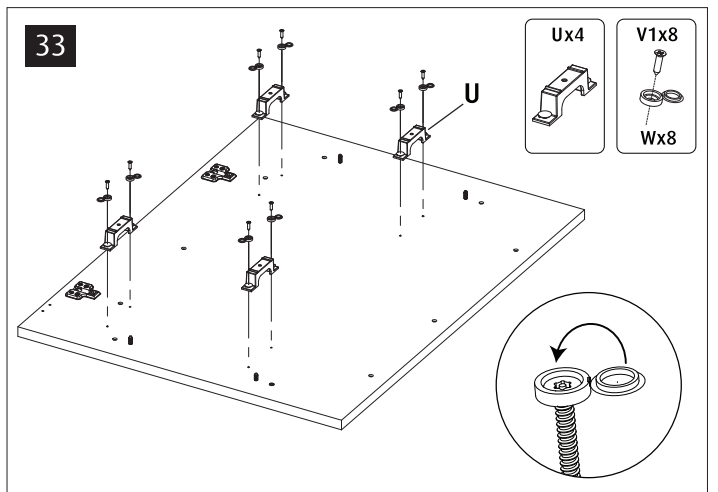
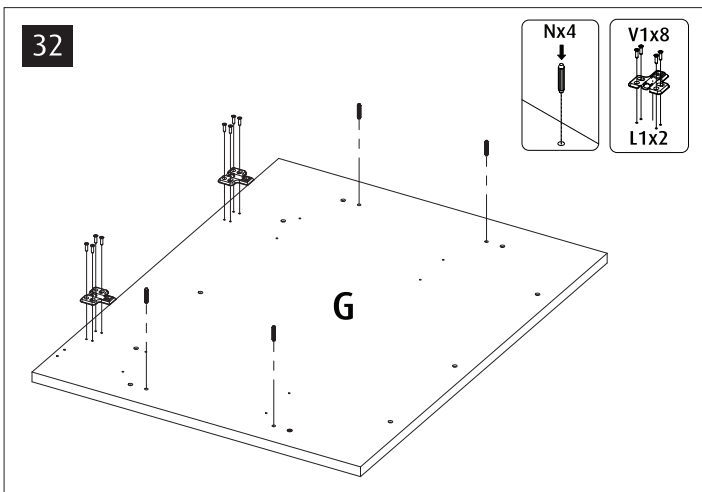
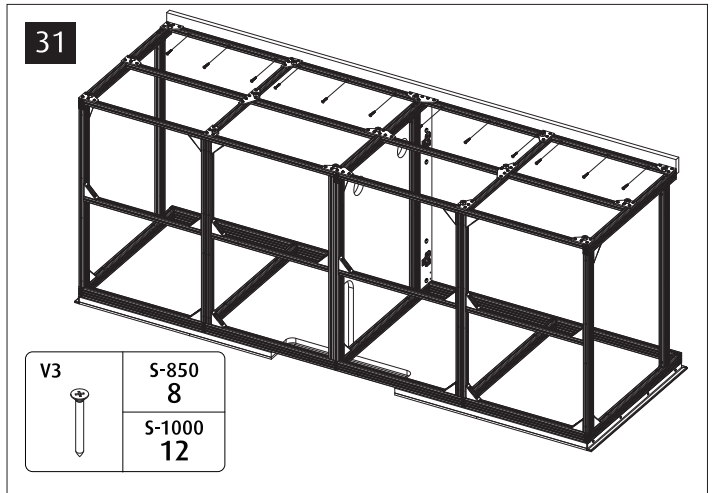
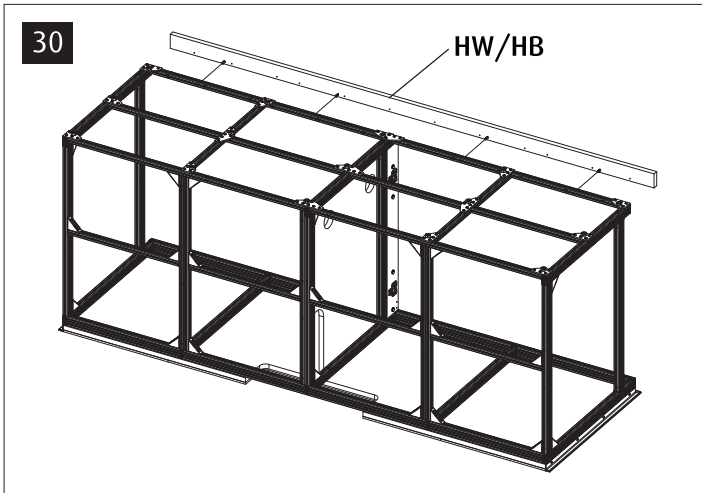
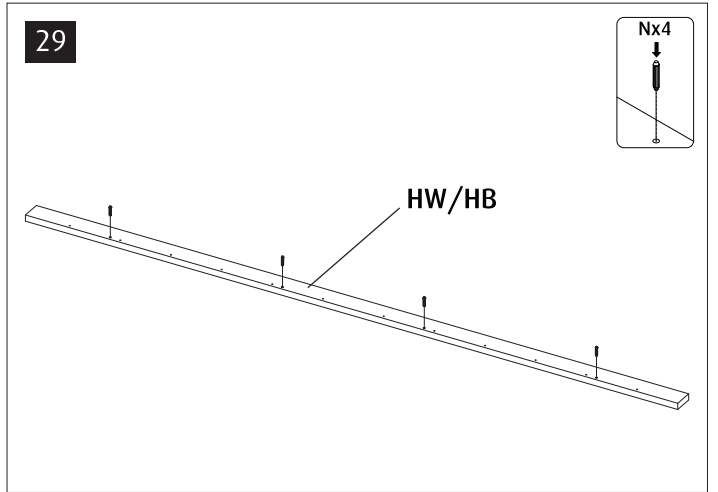
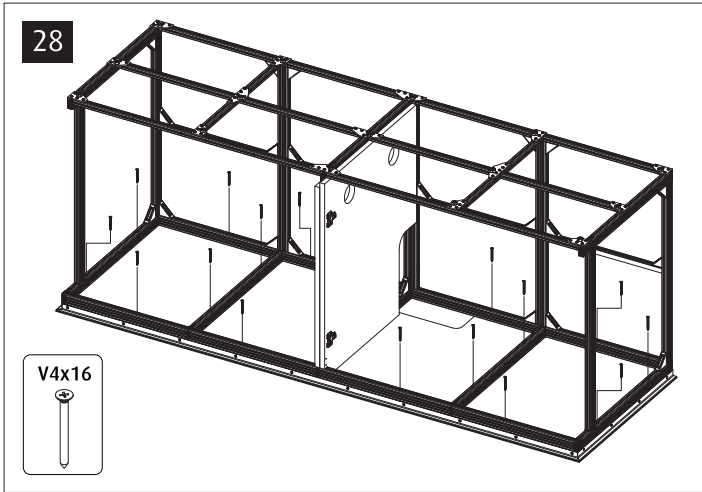
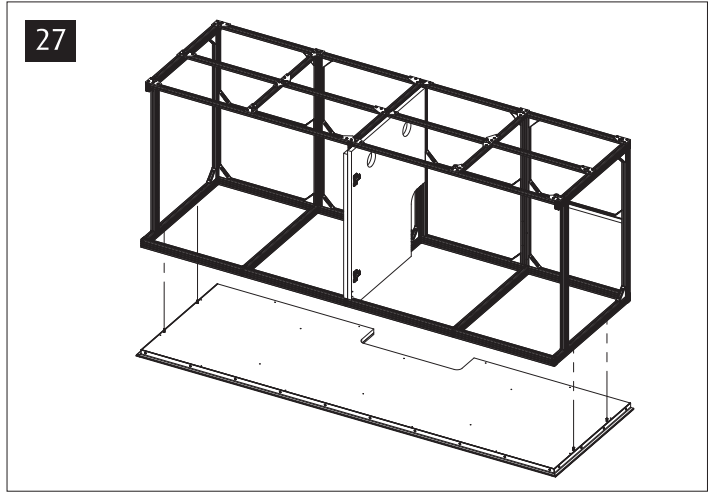
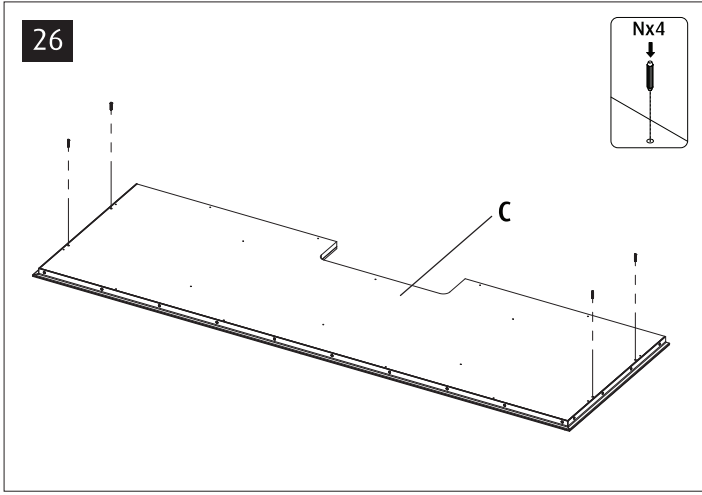


17

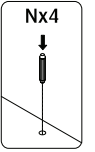
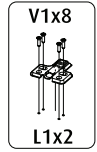
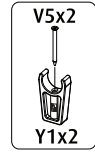
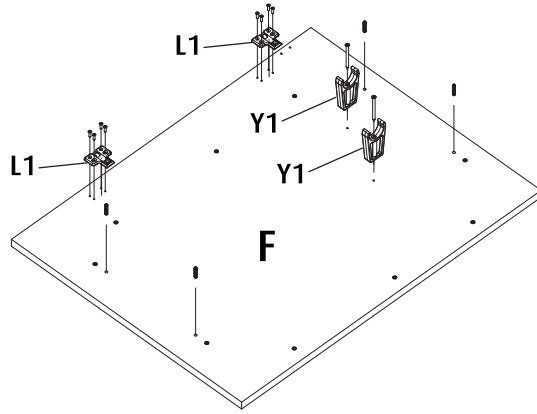




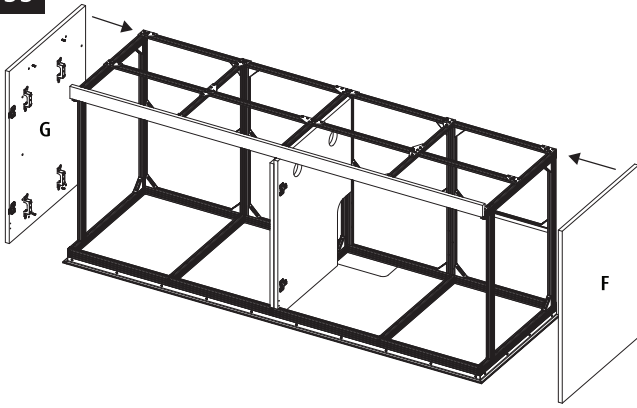




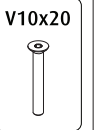
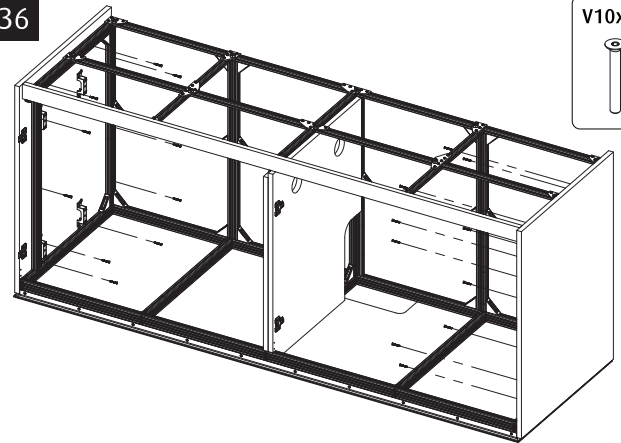
34



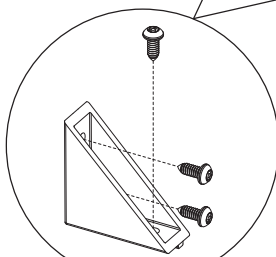
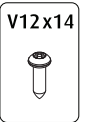
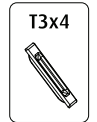
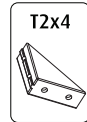
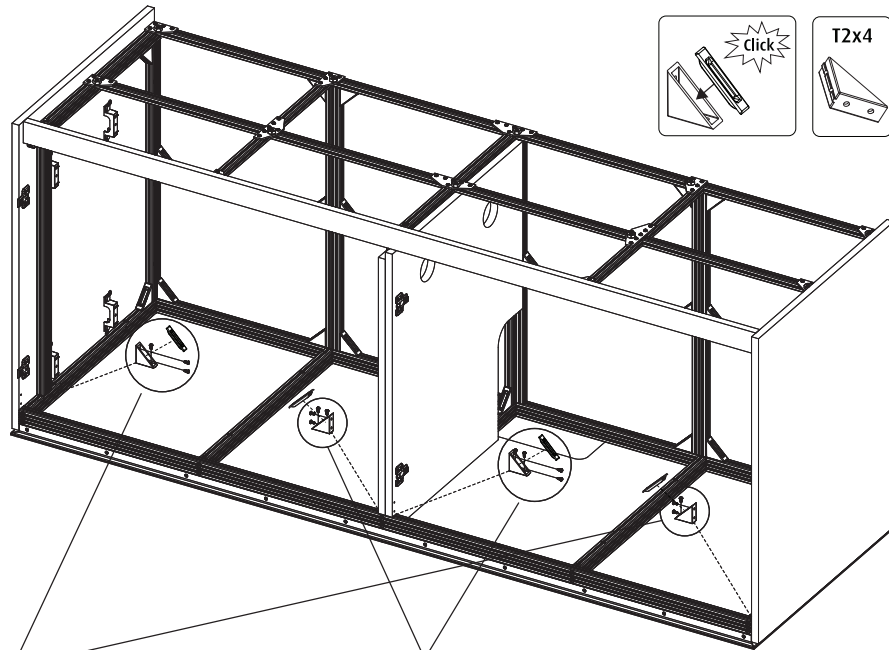
35



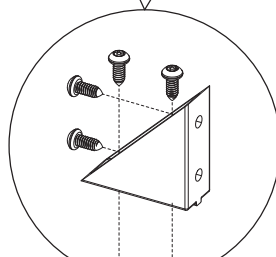
36



37

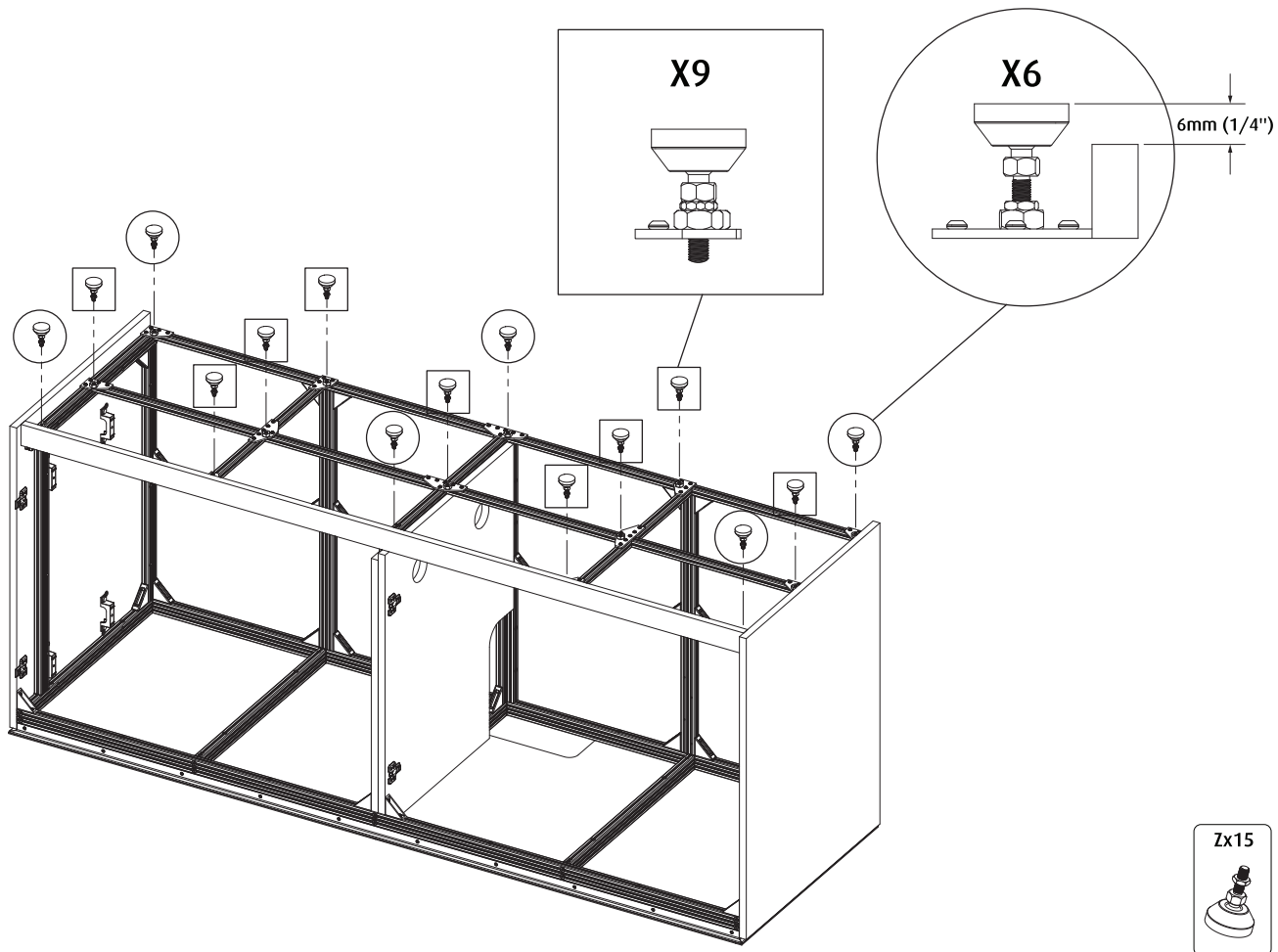


3xV12

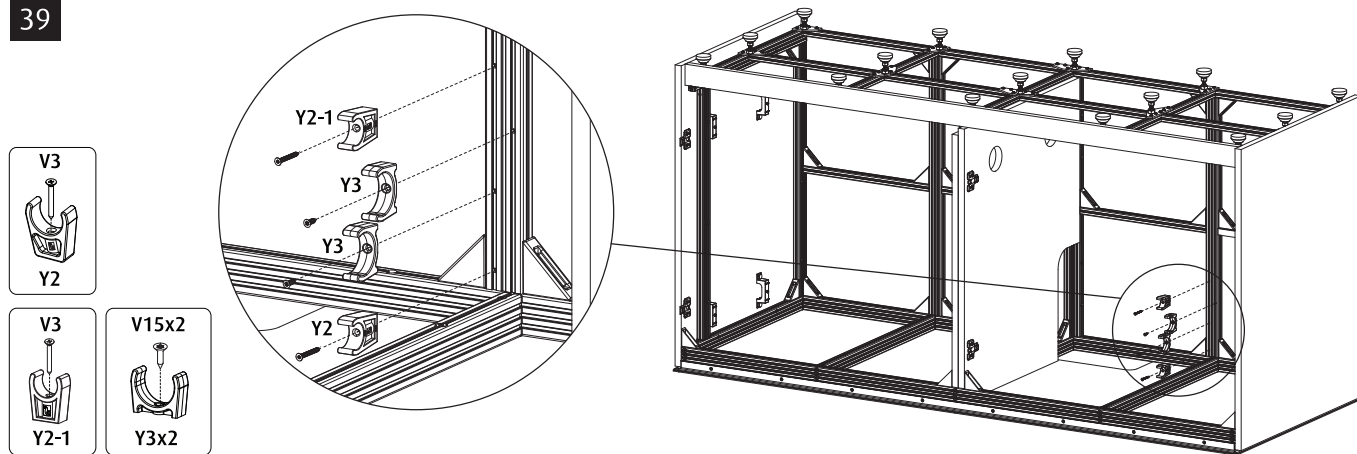


4xV12

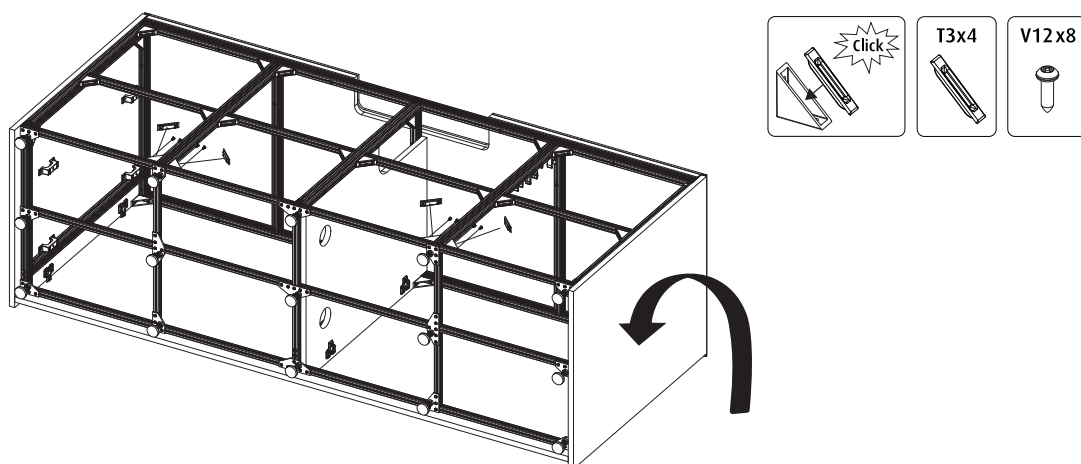
38



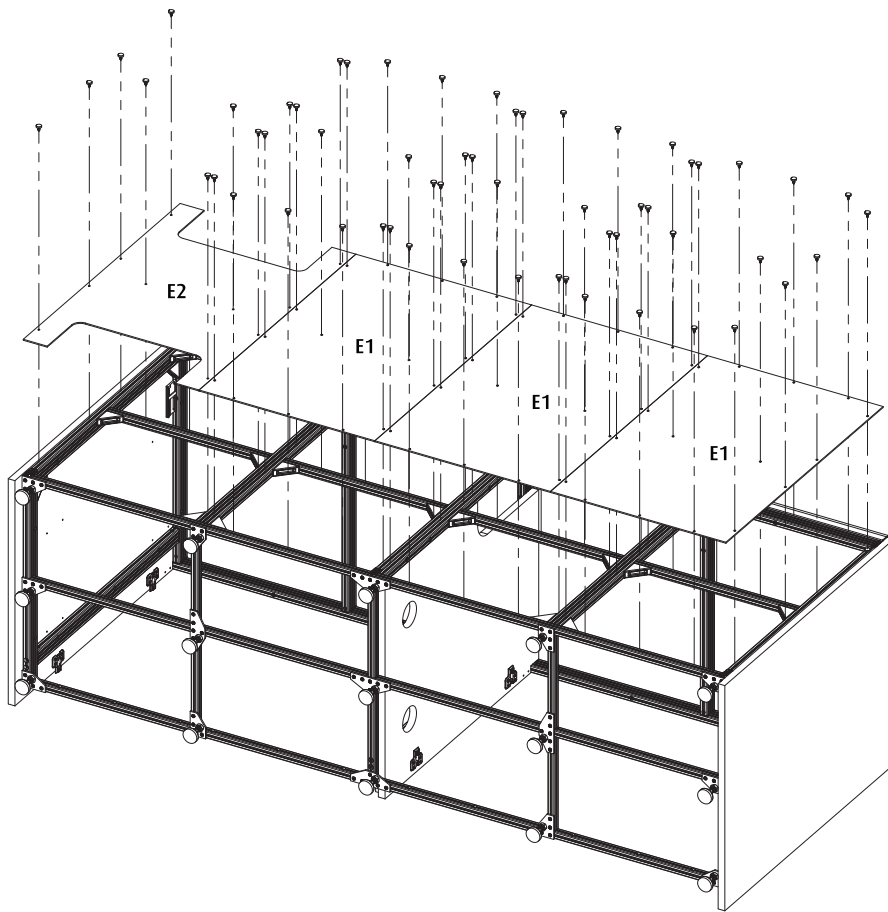
39



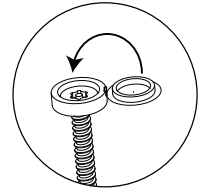
40



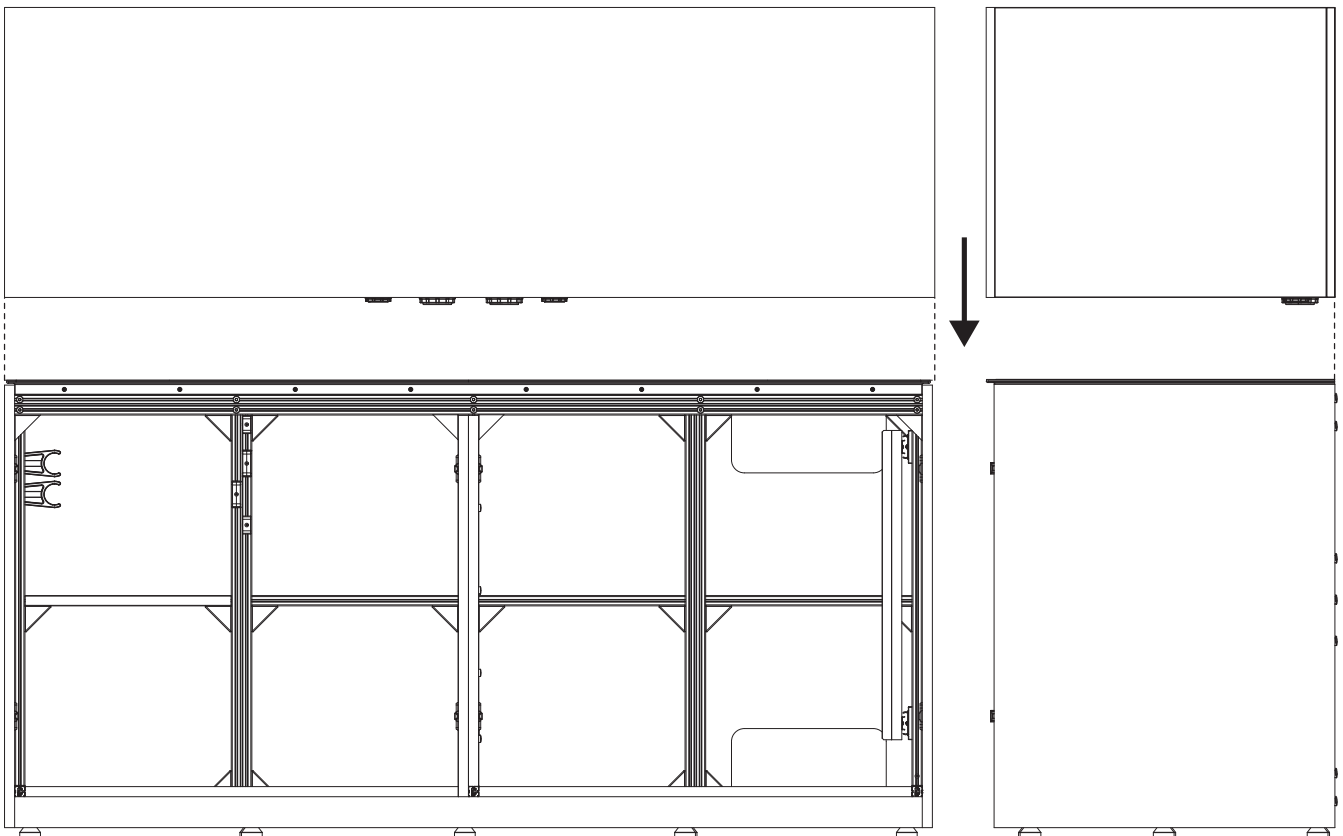
41



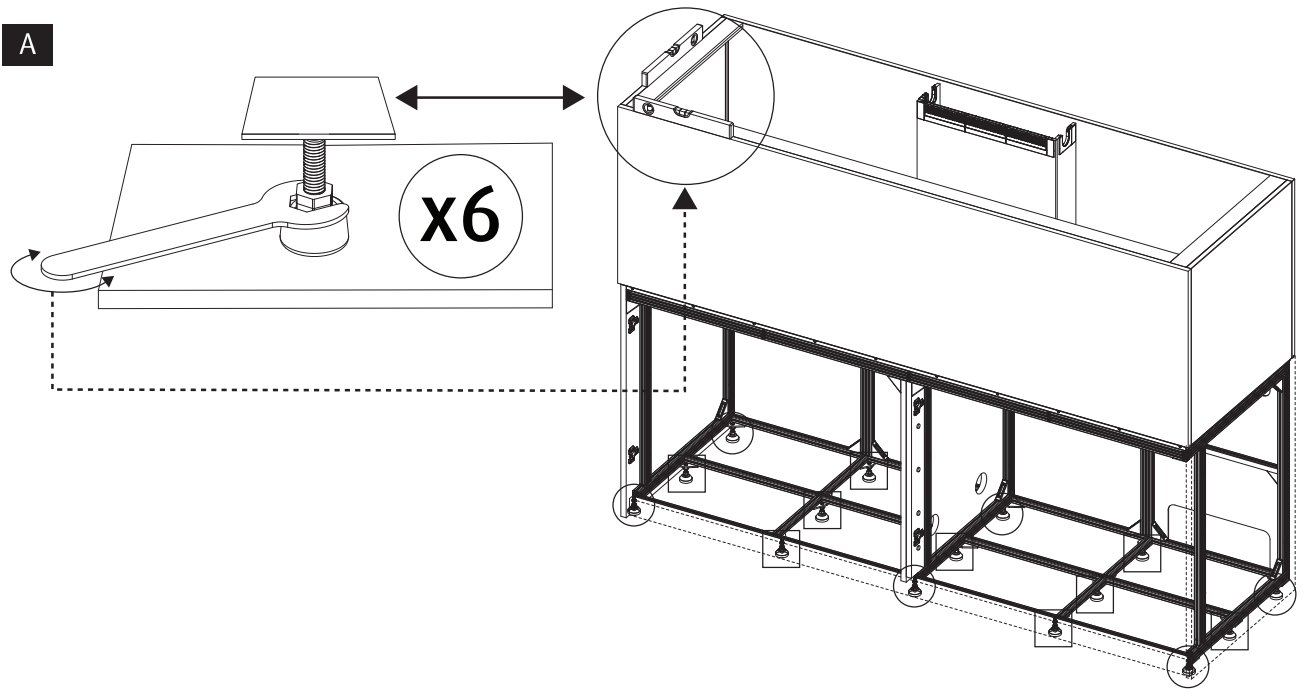
V15x58  
Wx58



42



43 A



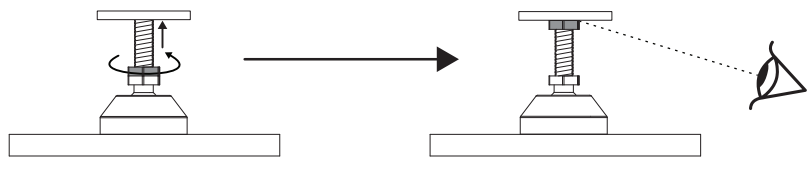
B

x9



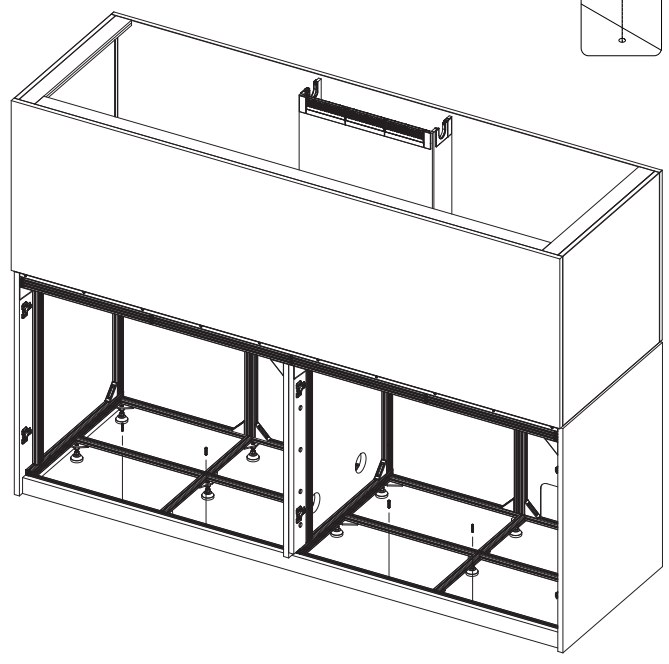
C

x15

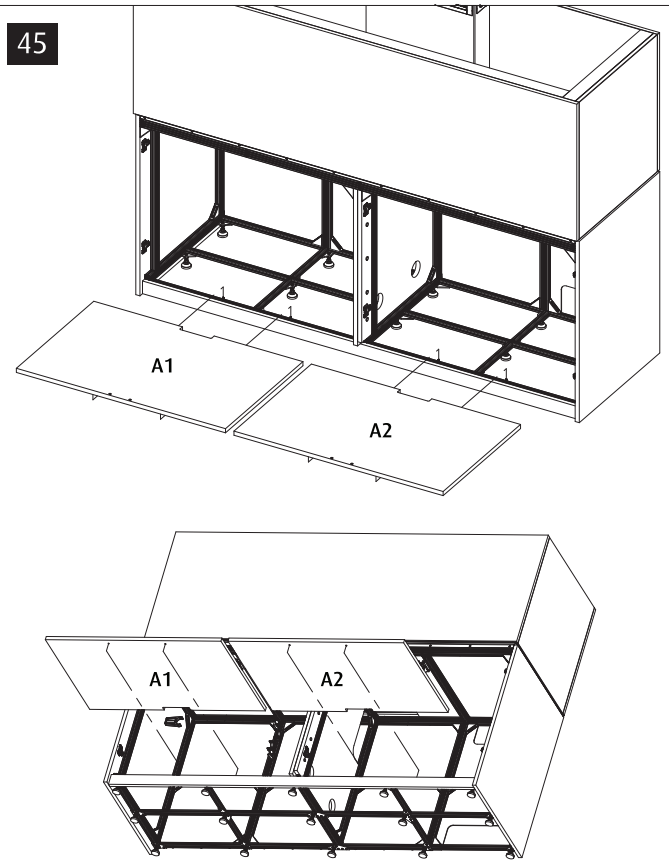


44

Nx4  
↓  
[Screw icon]

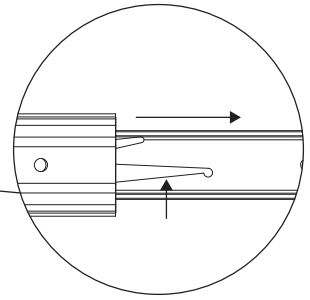
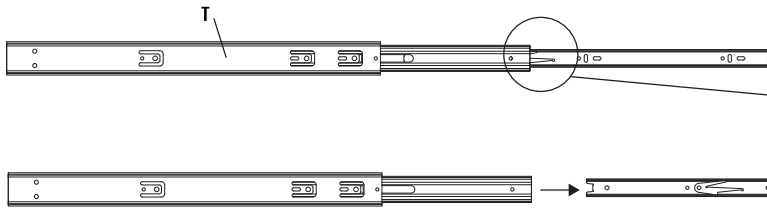


45



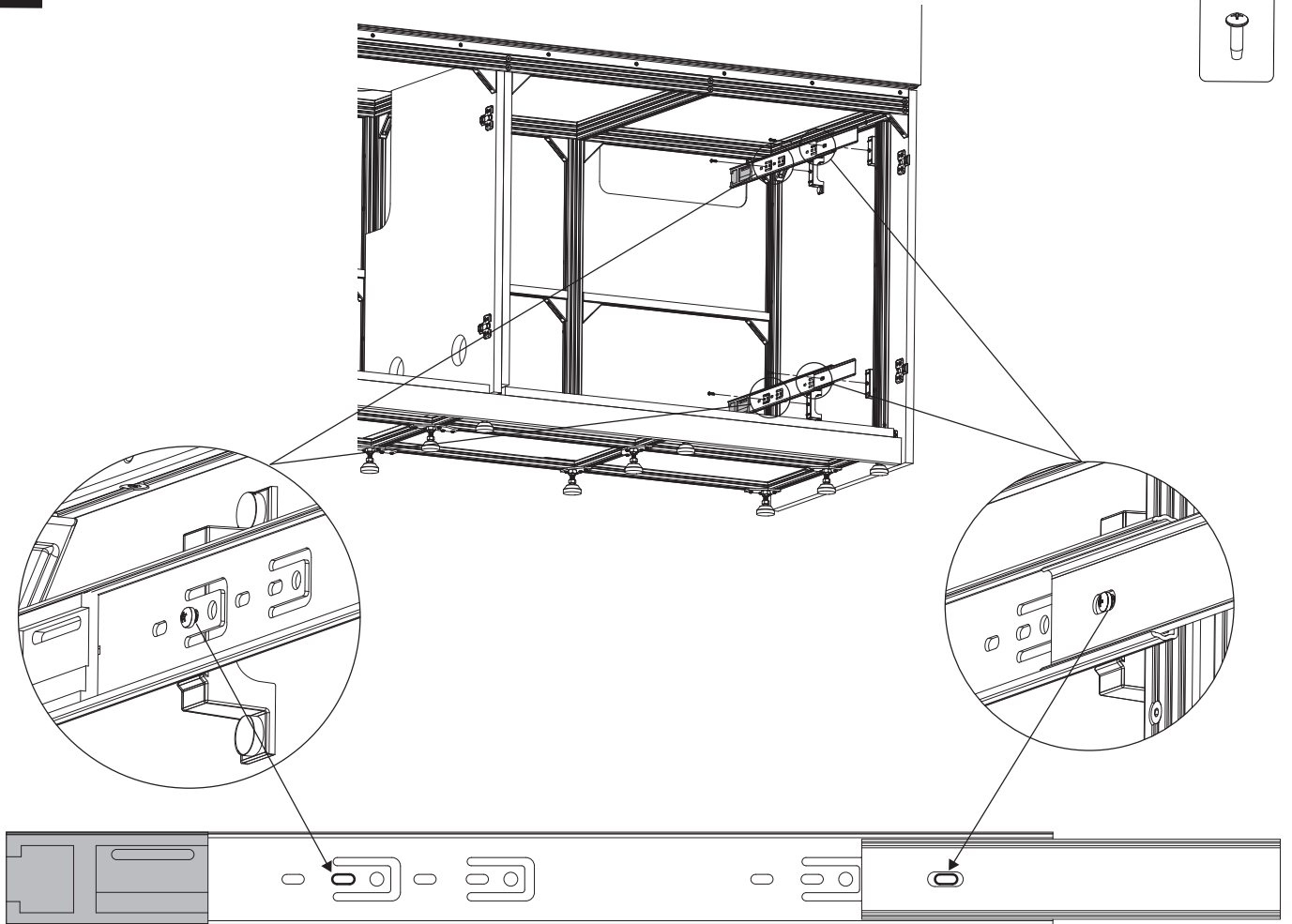
46

A



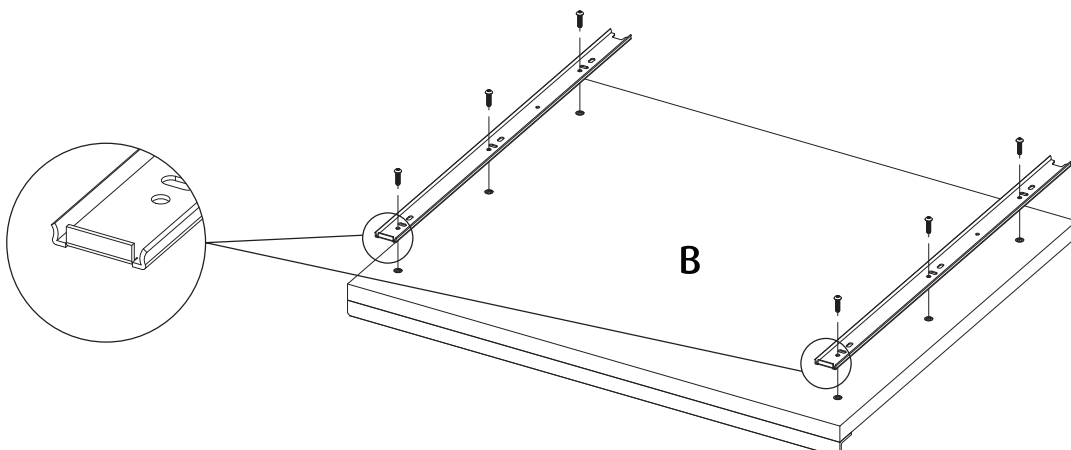
B

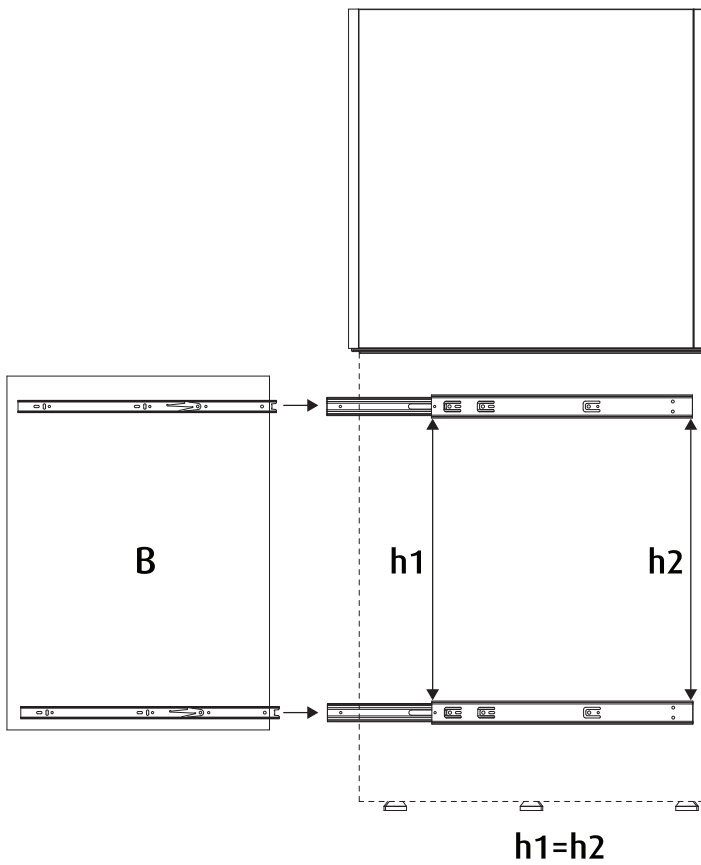
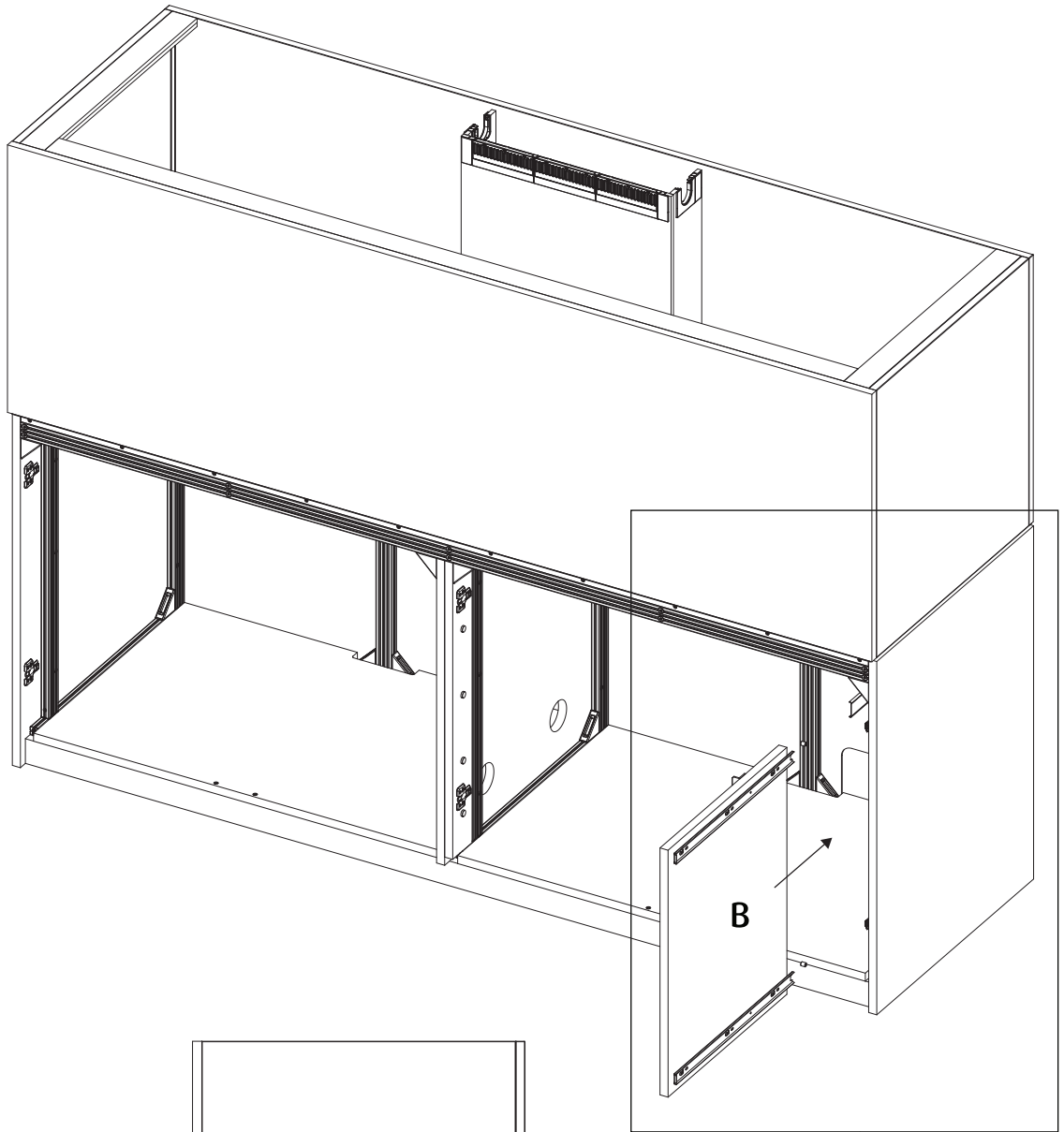
V14x4



47

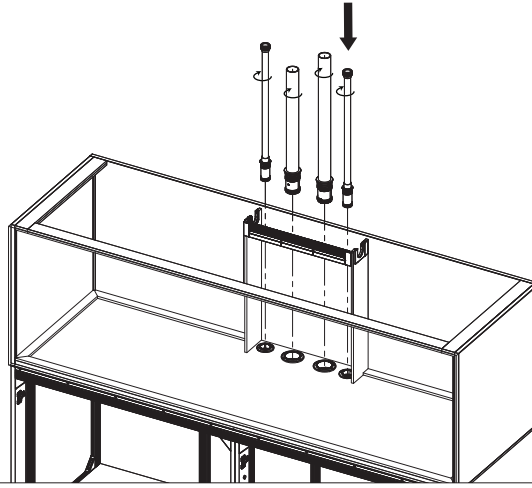
V16x6



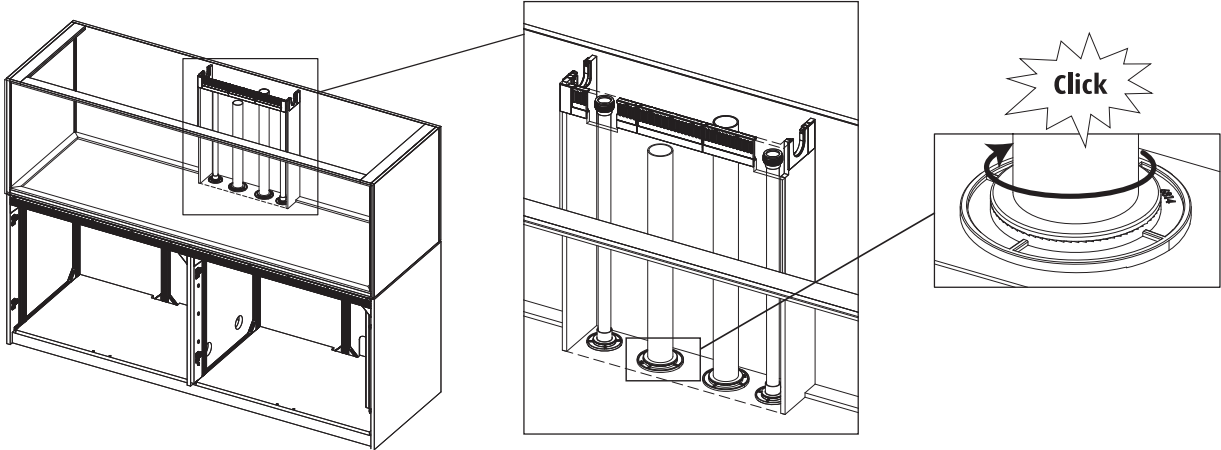




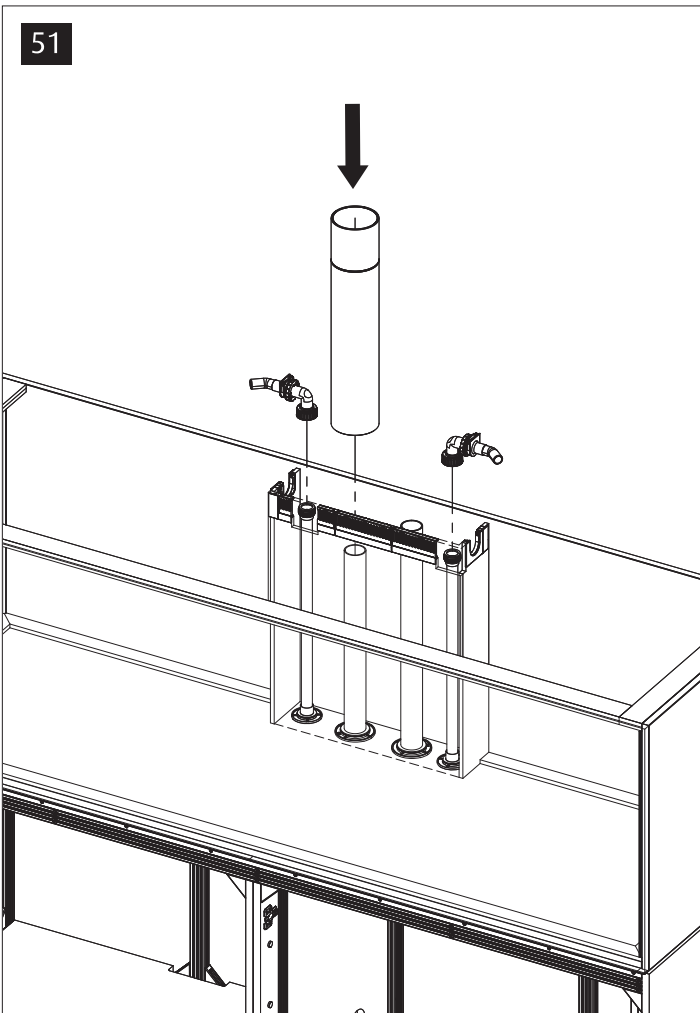
49



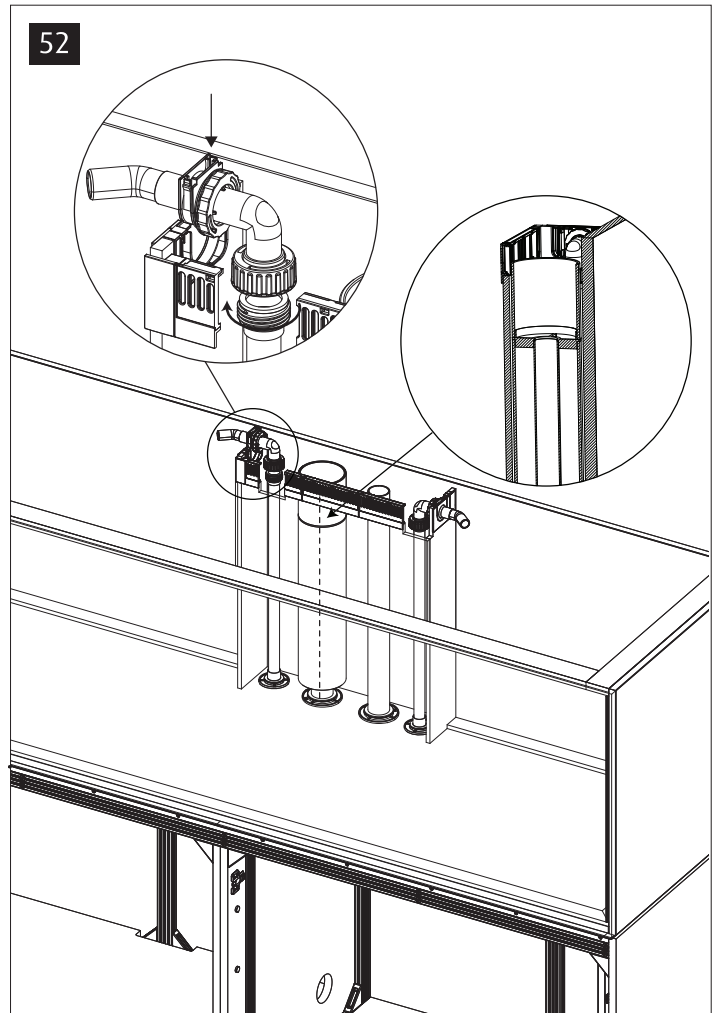
50

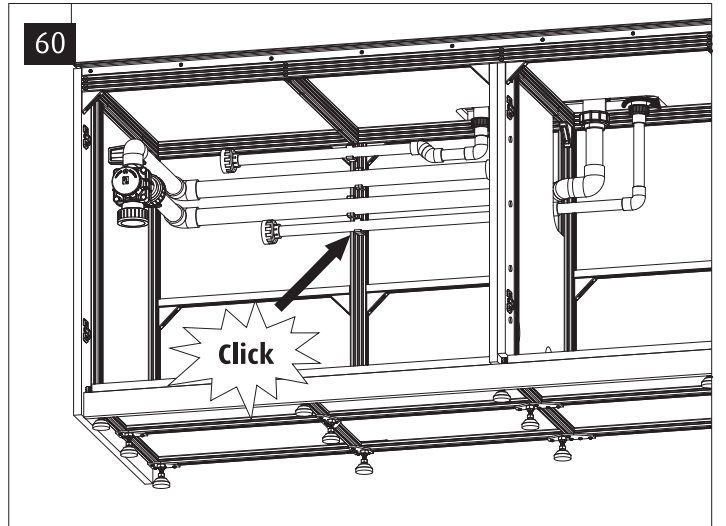
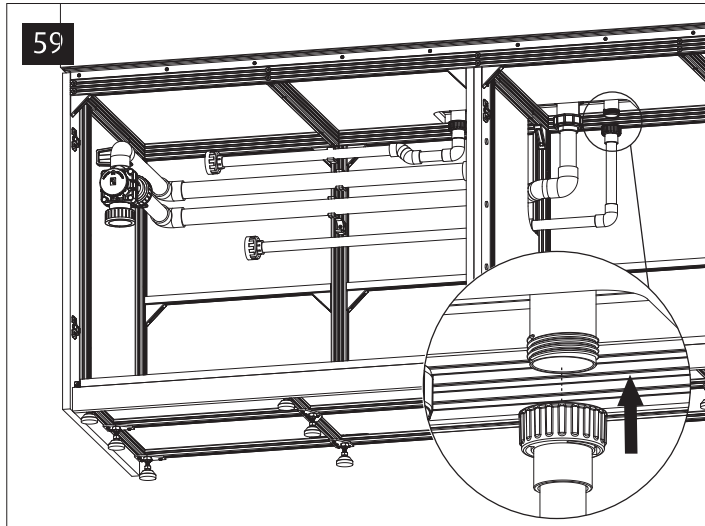
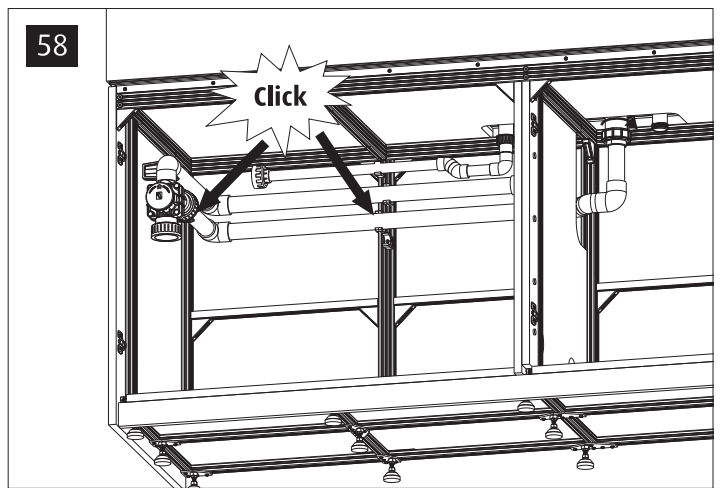
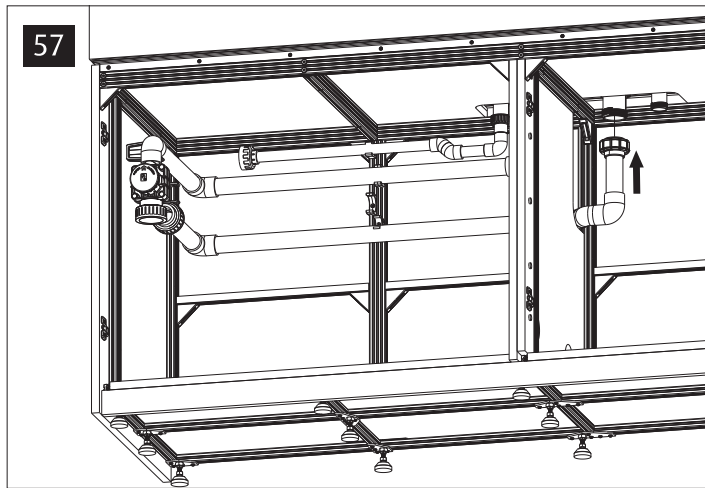
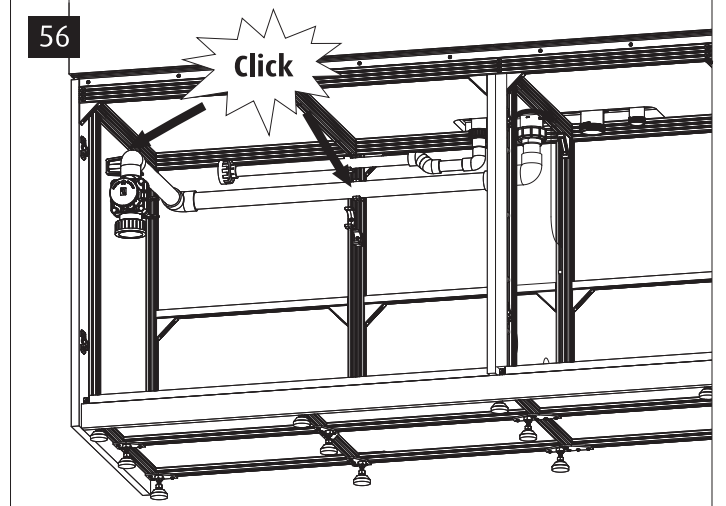
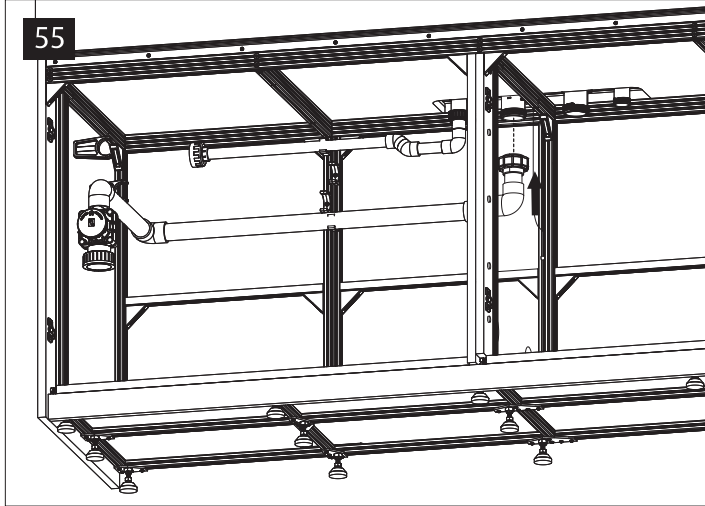
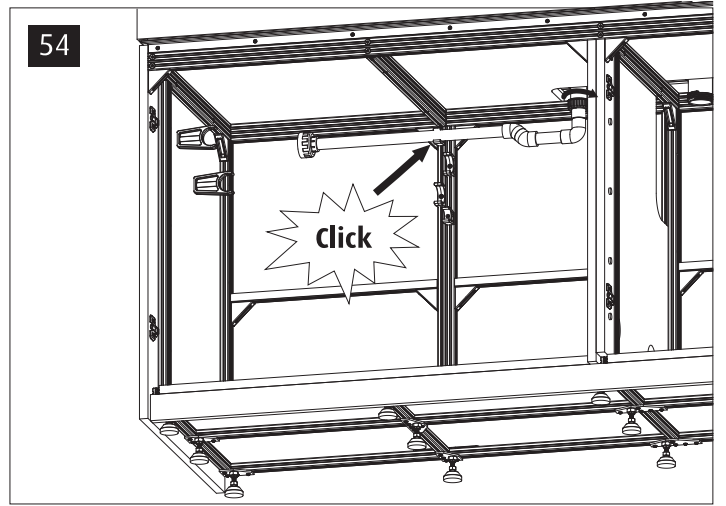
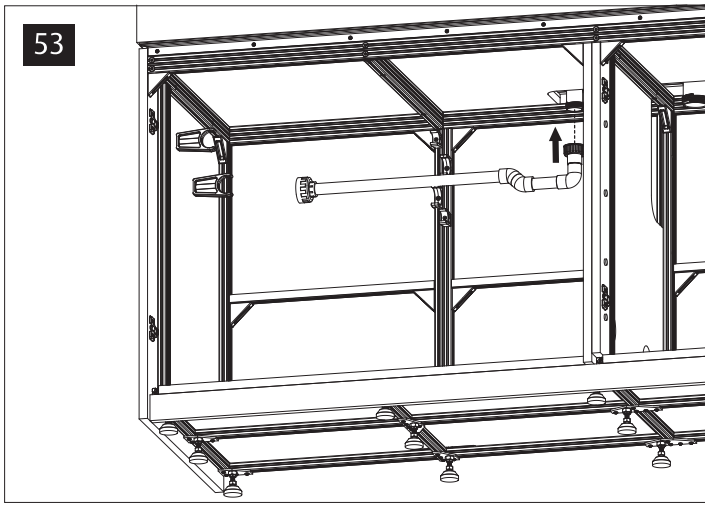


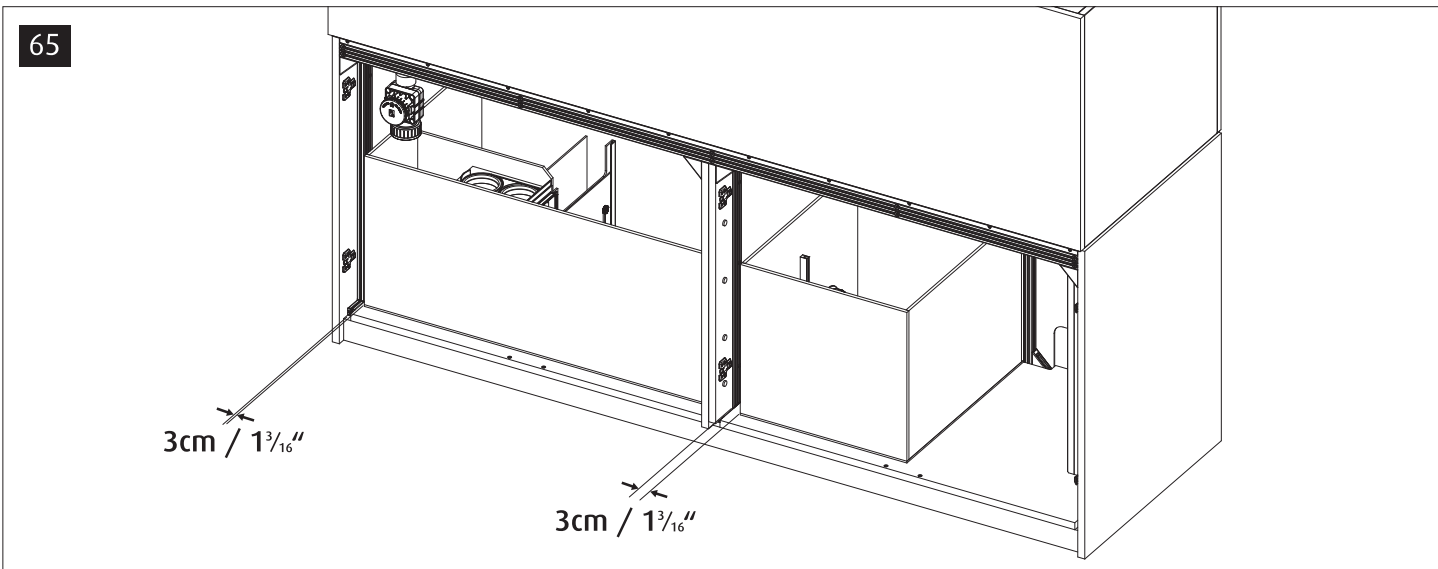
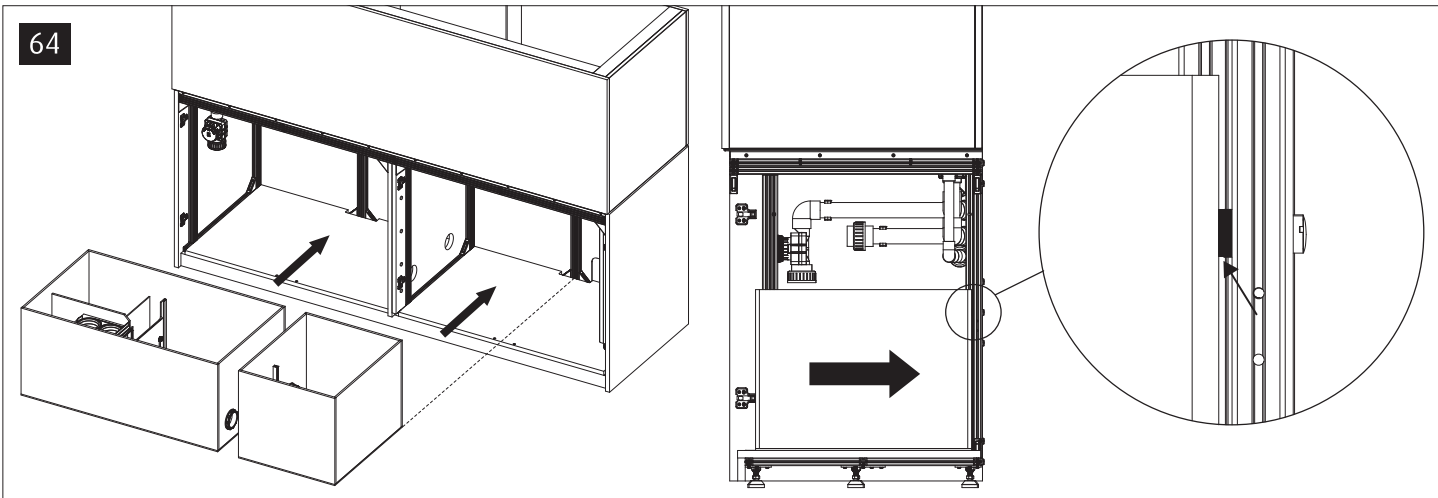
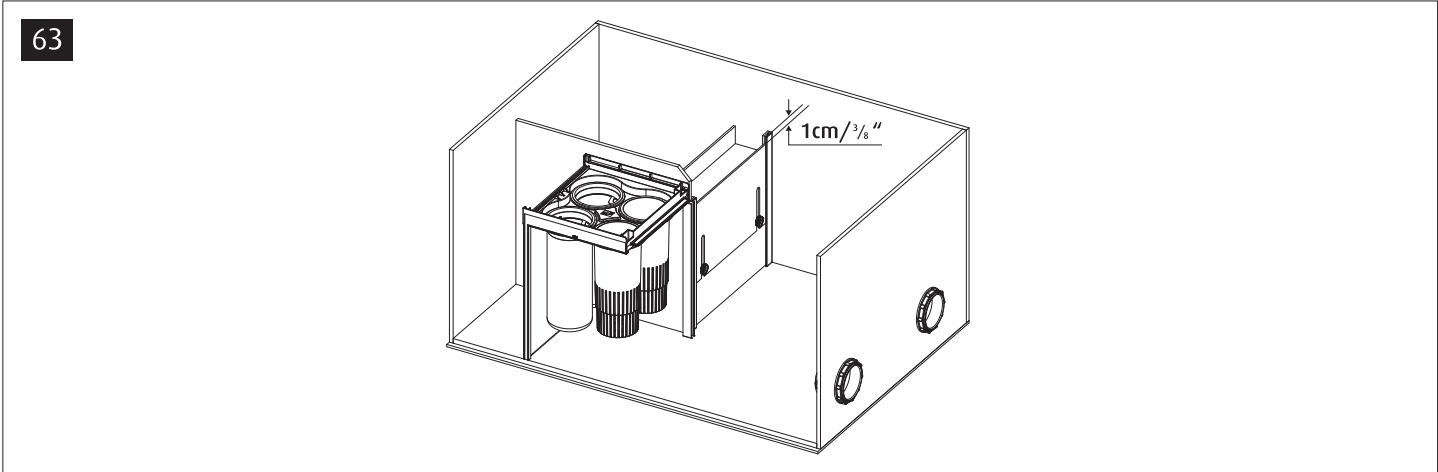
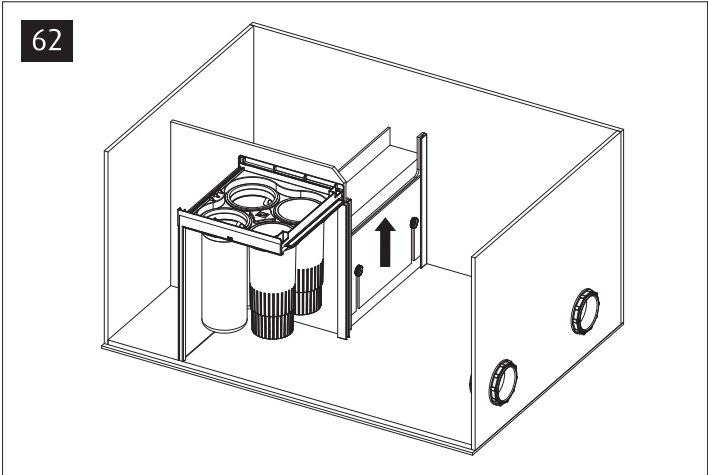
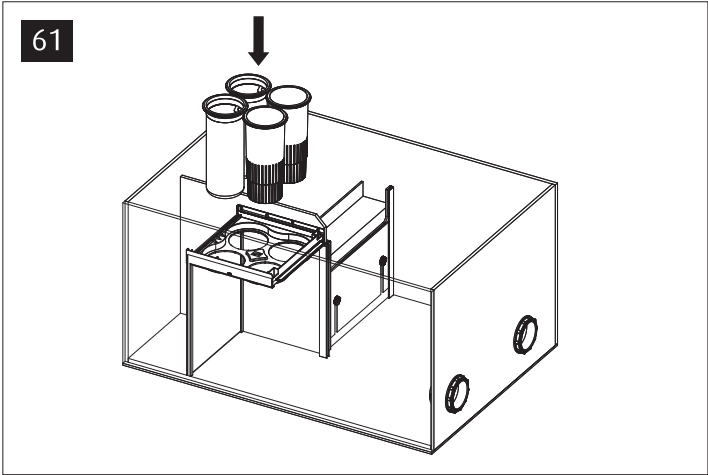
51



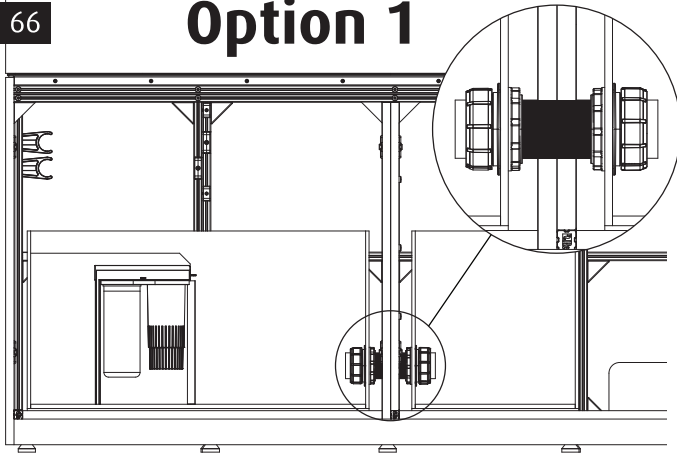
52



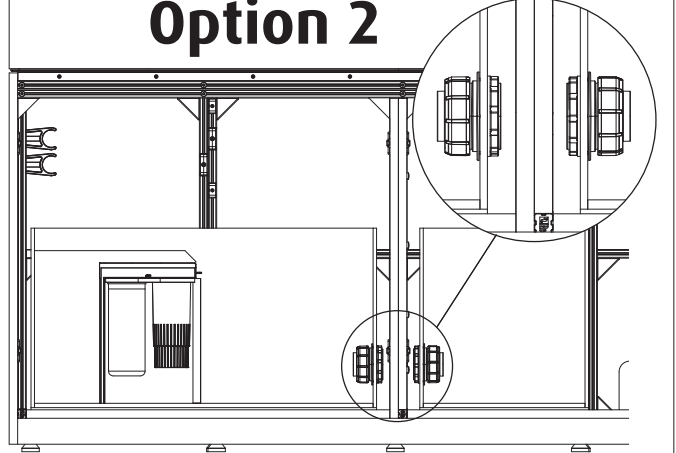




## Option 1

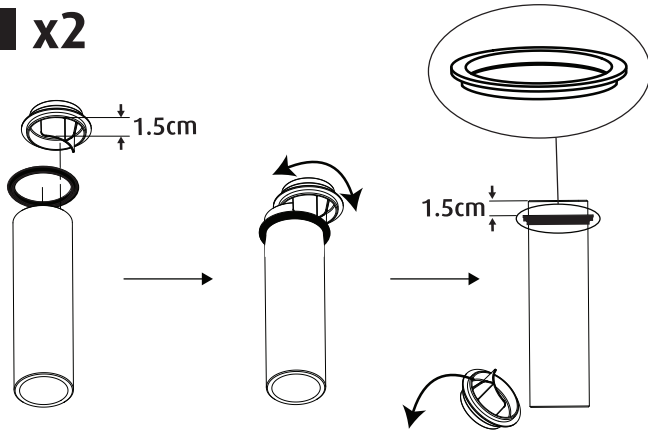


## Option 2

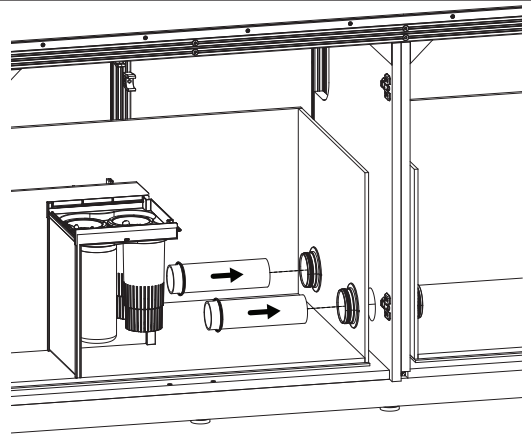


## Option 1

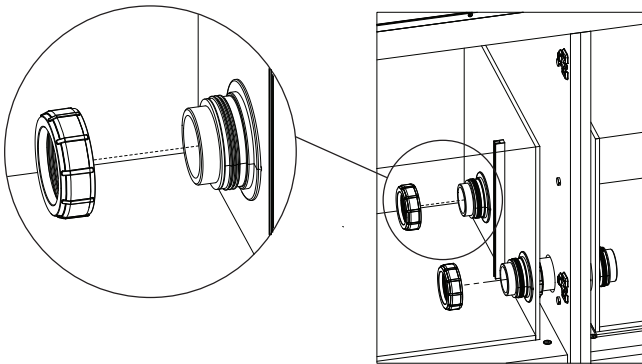
A x2



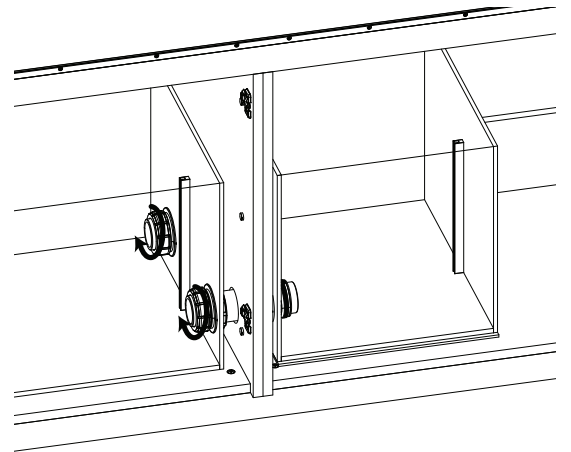
B



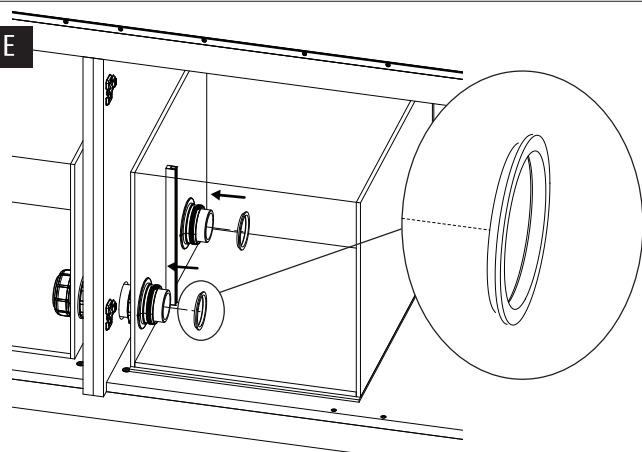
C



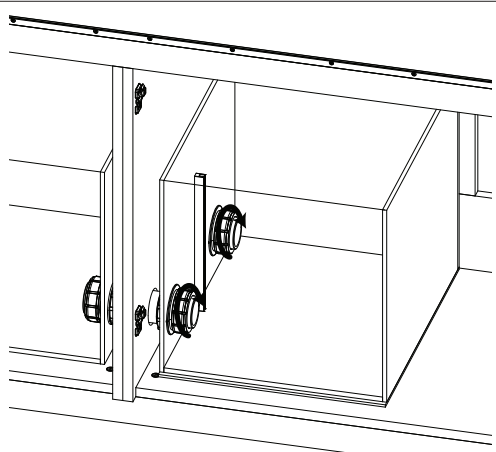
D

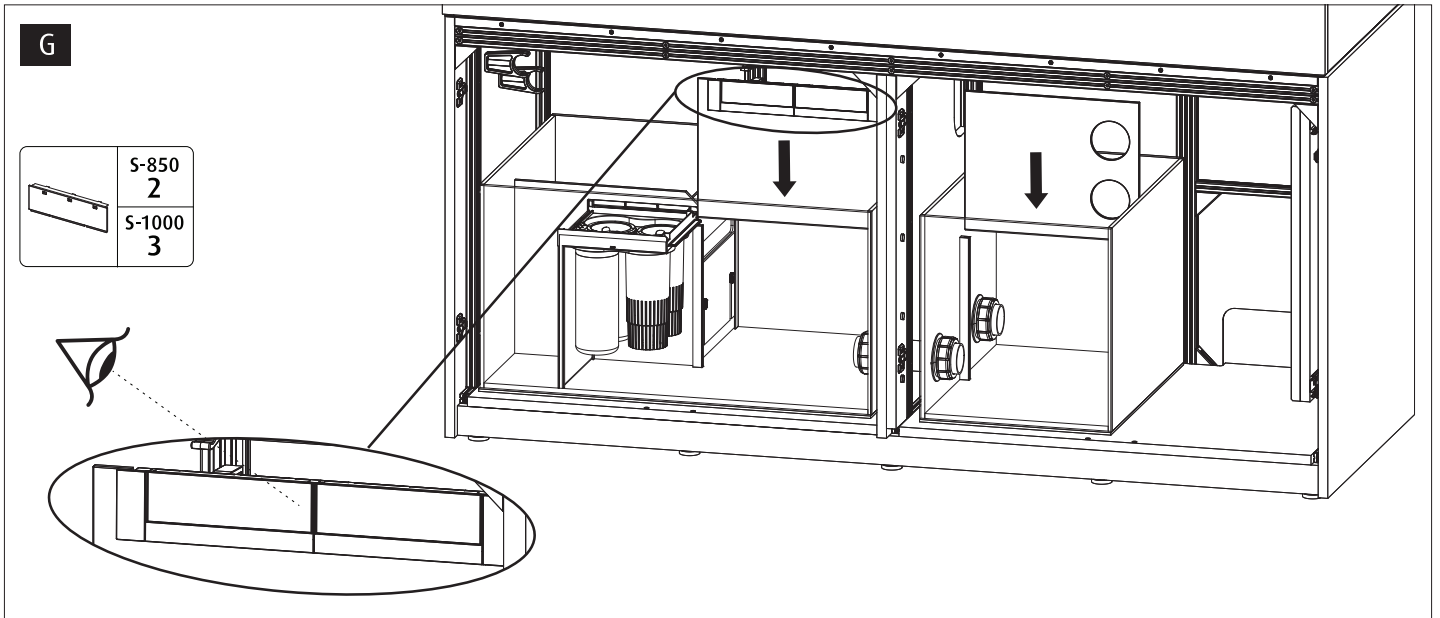


E

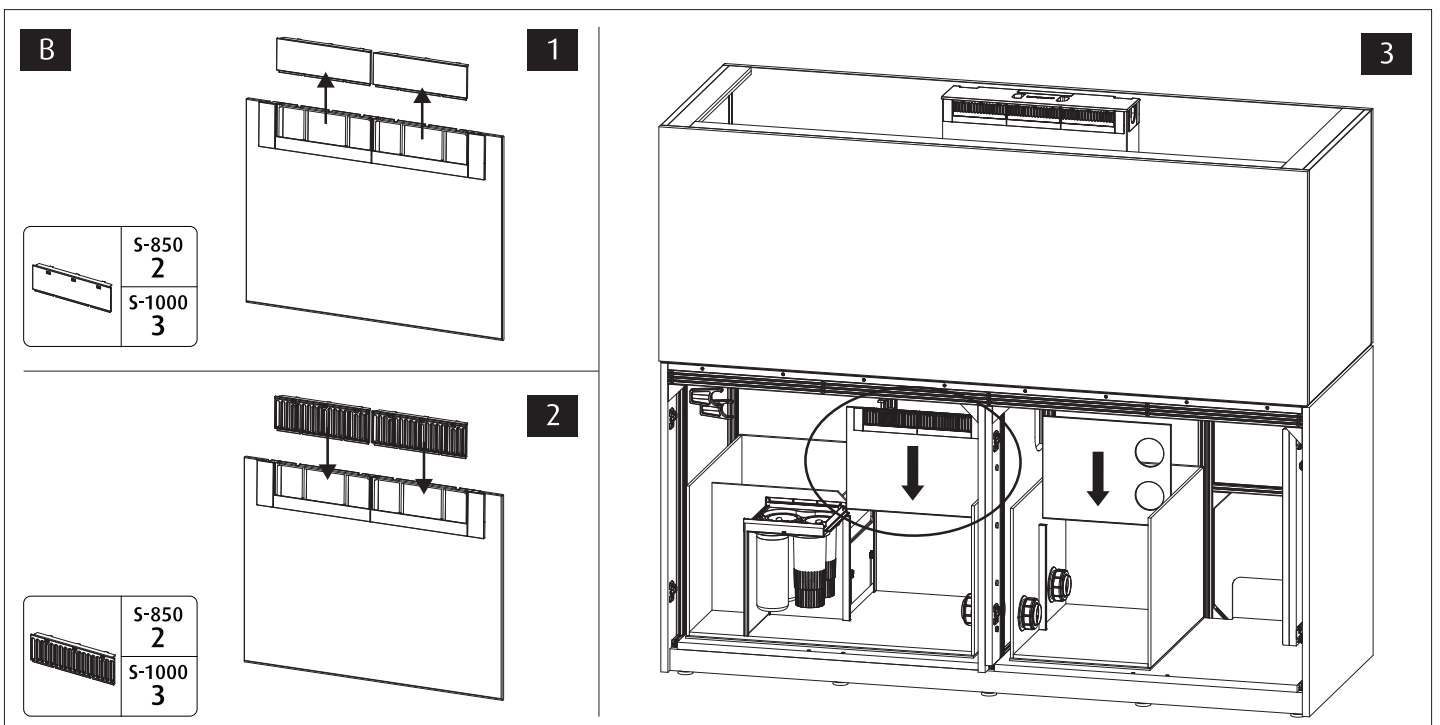
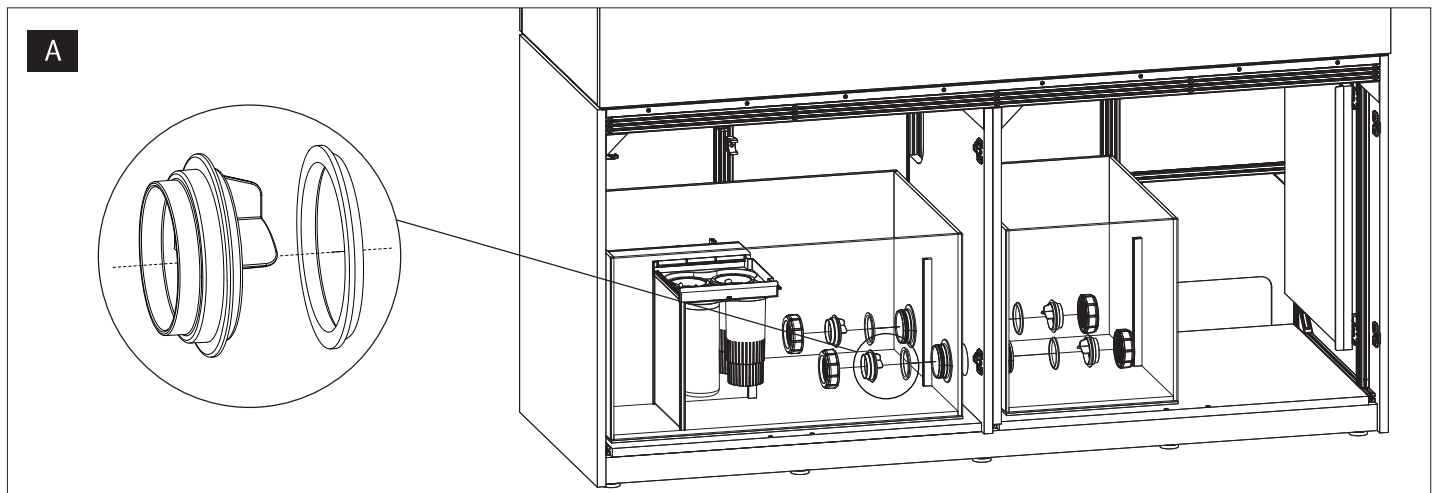


F

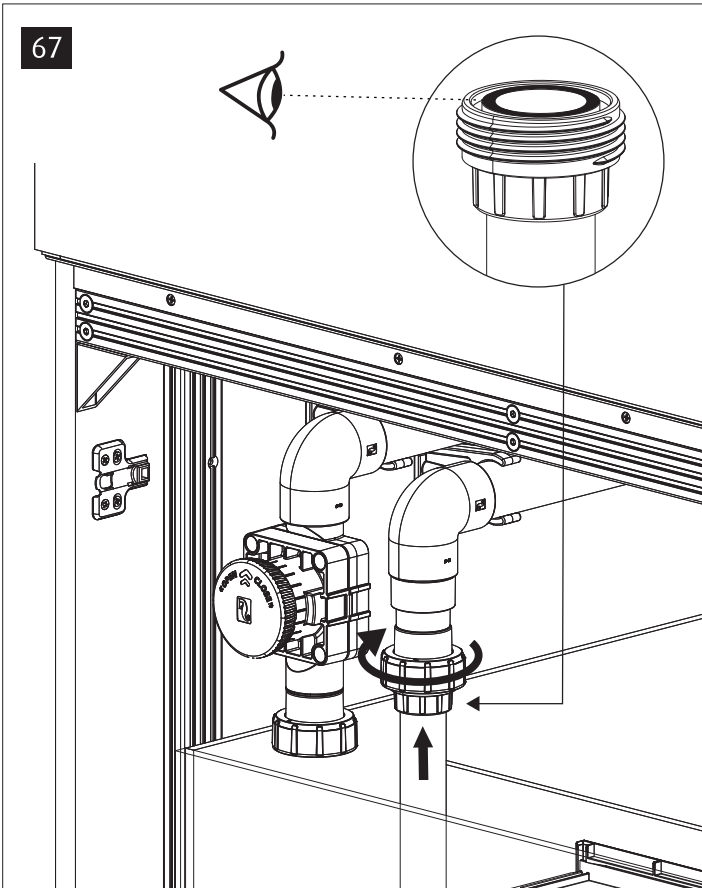




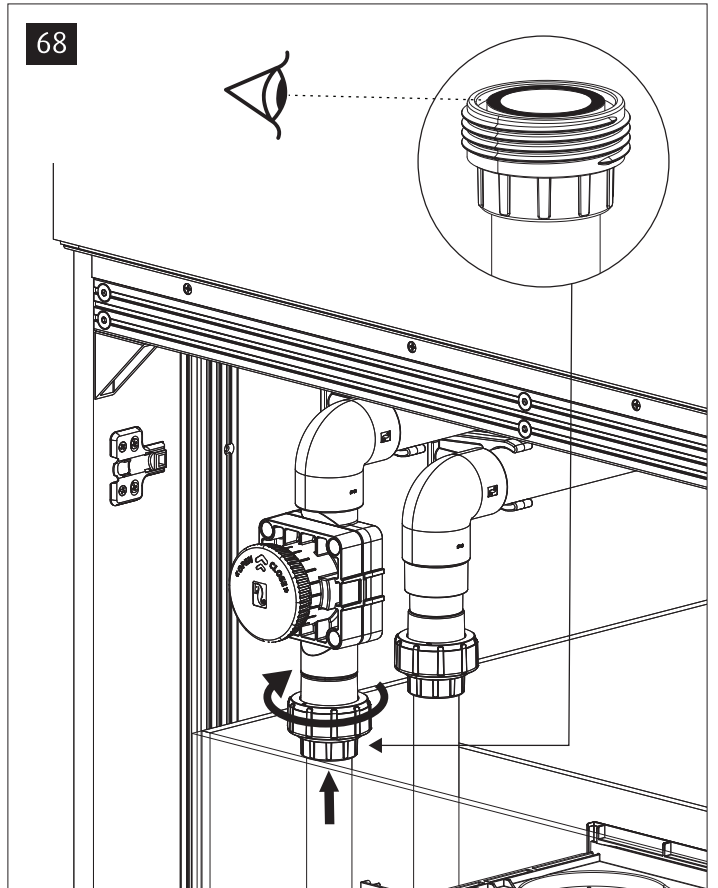
## Option 2



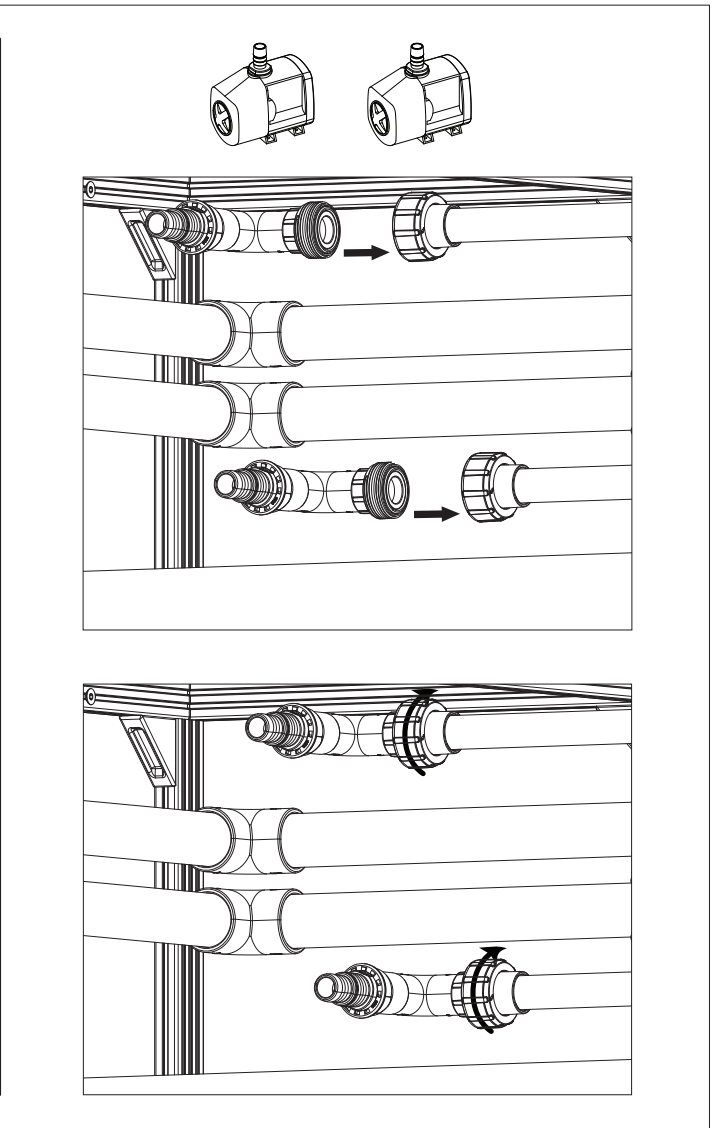
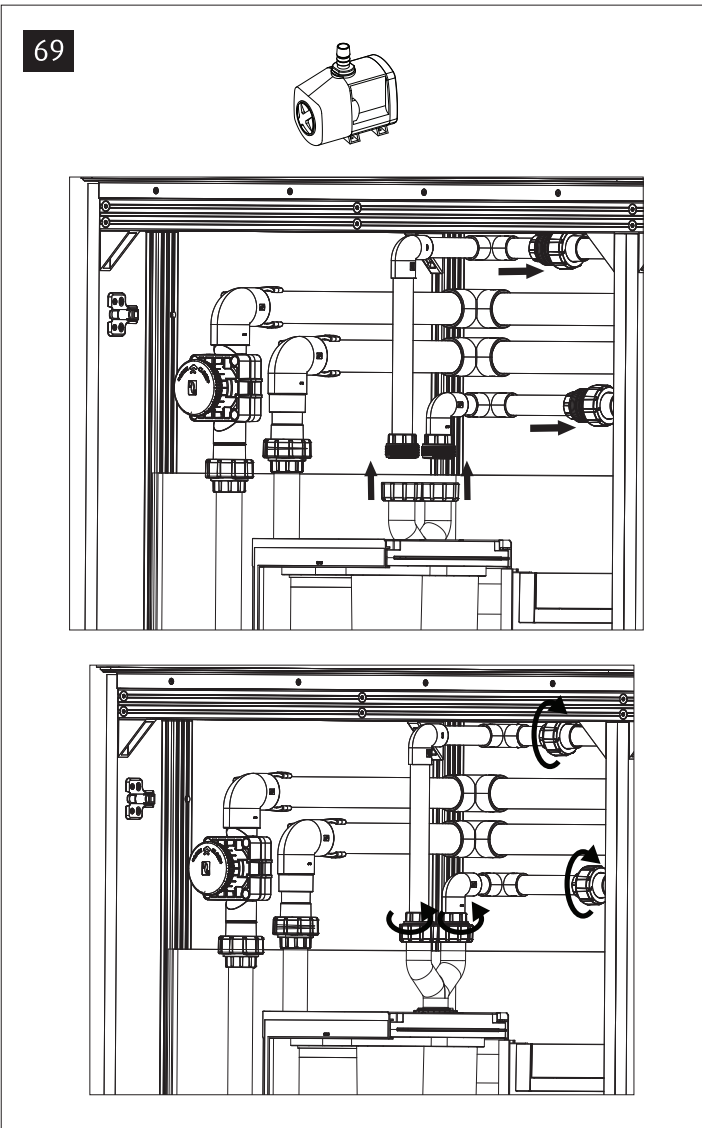
67



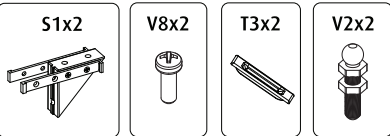
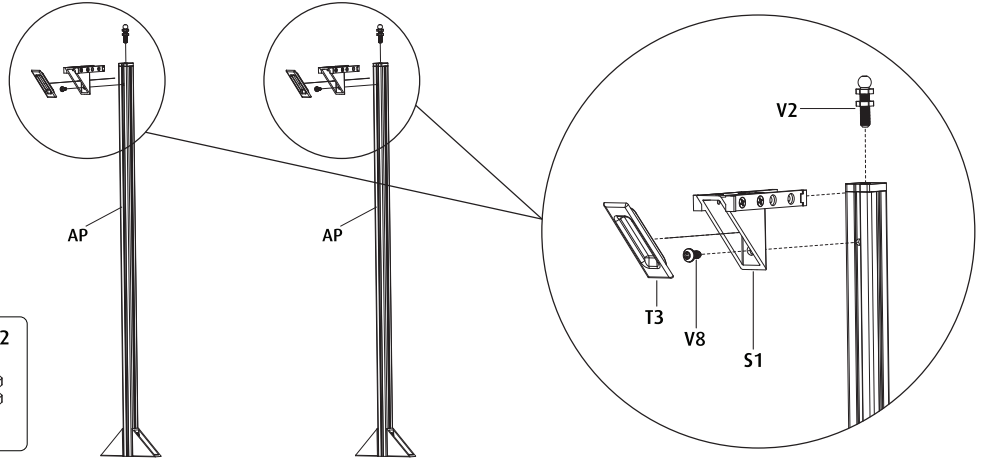
68



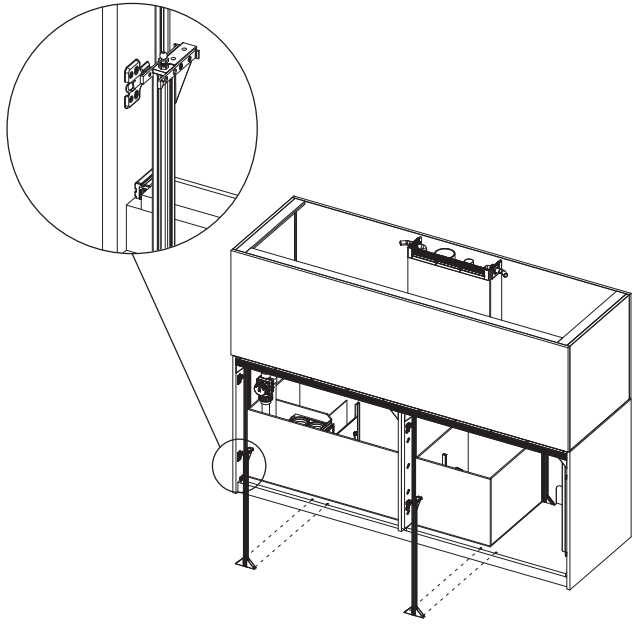
69



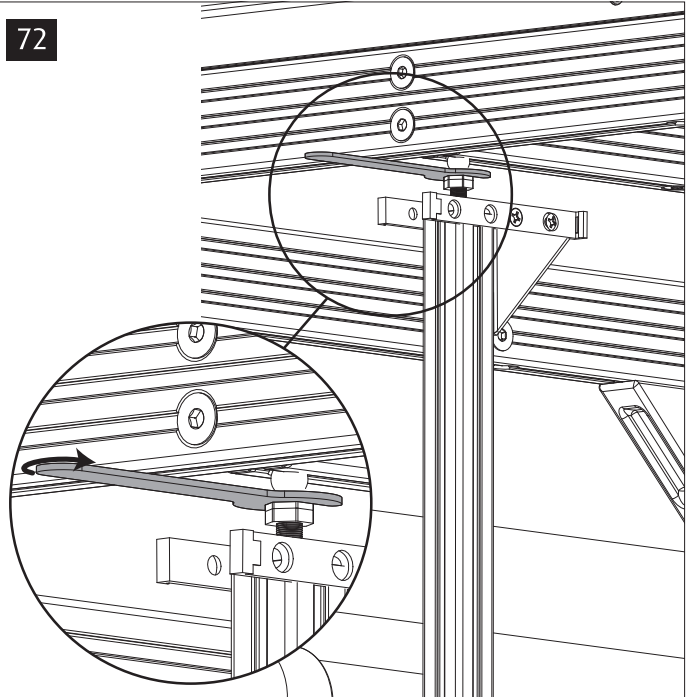
70



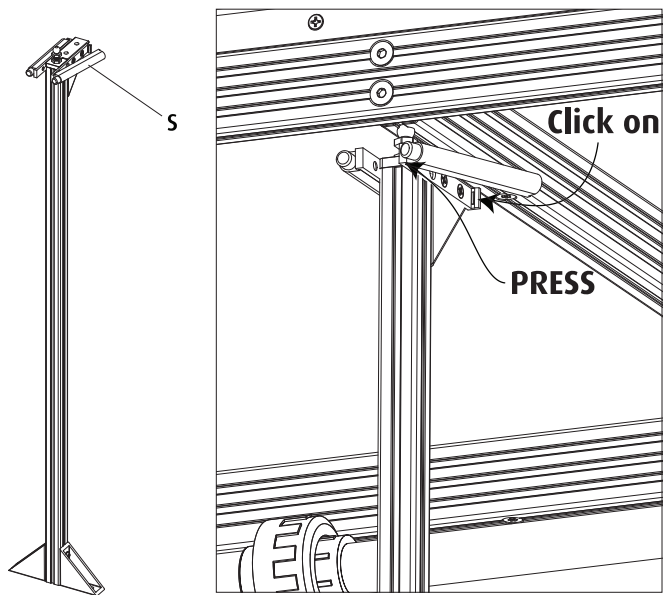
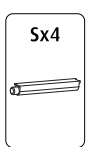
71



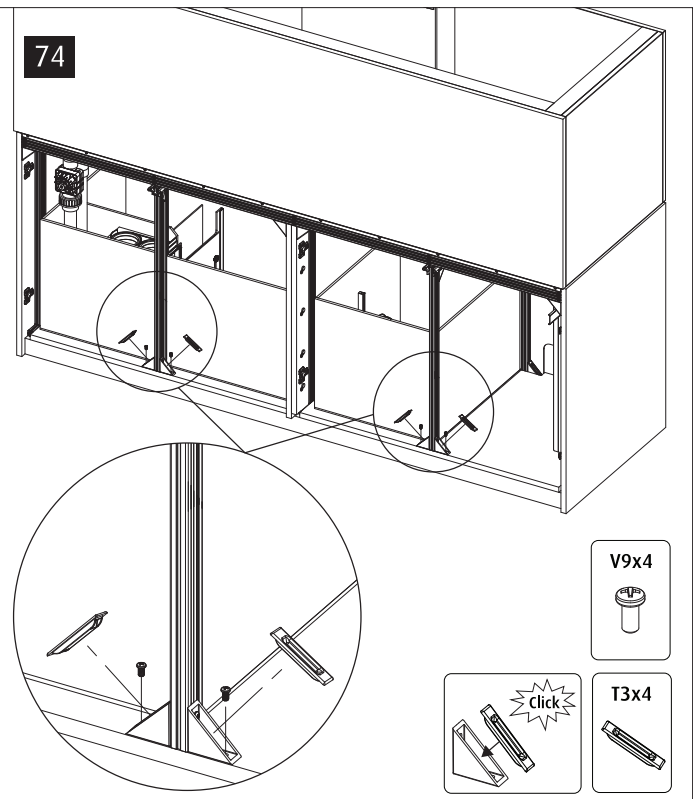
72

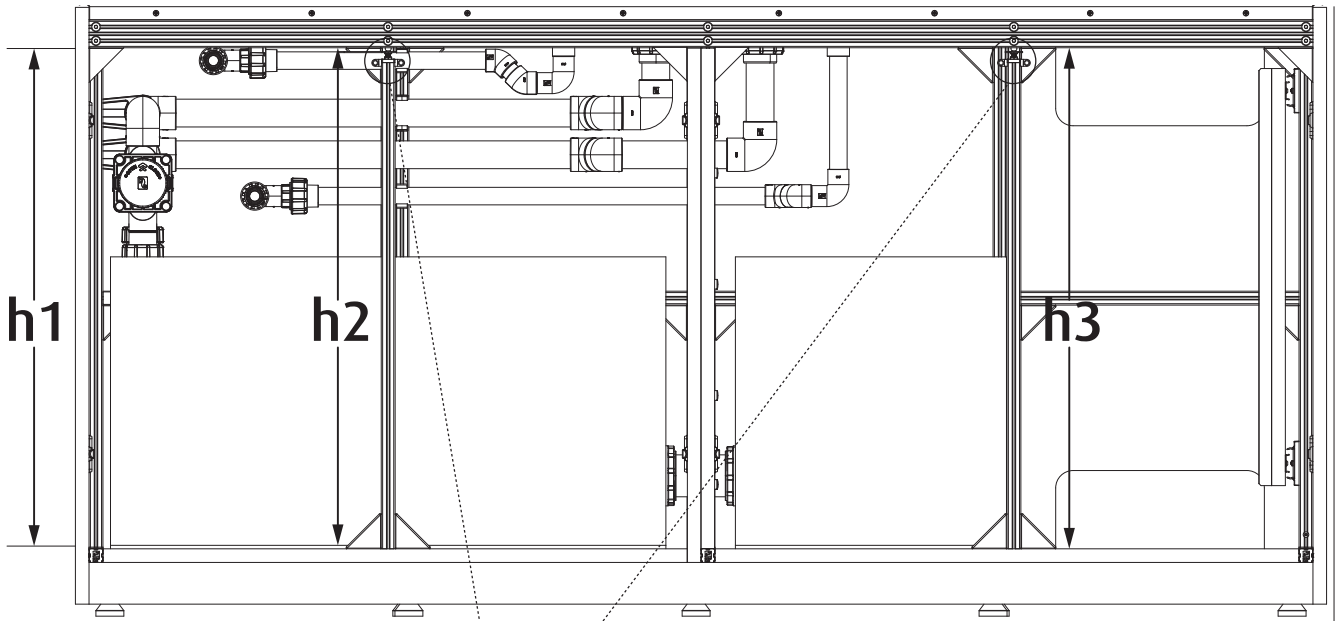


73

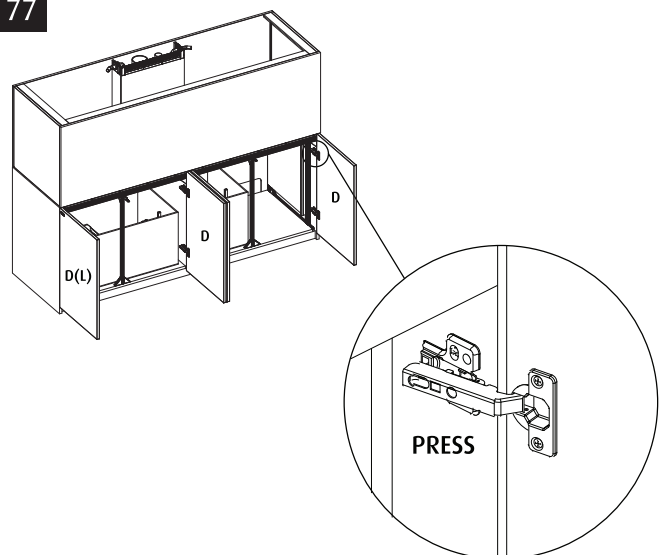
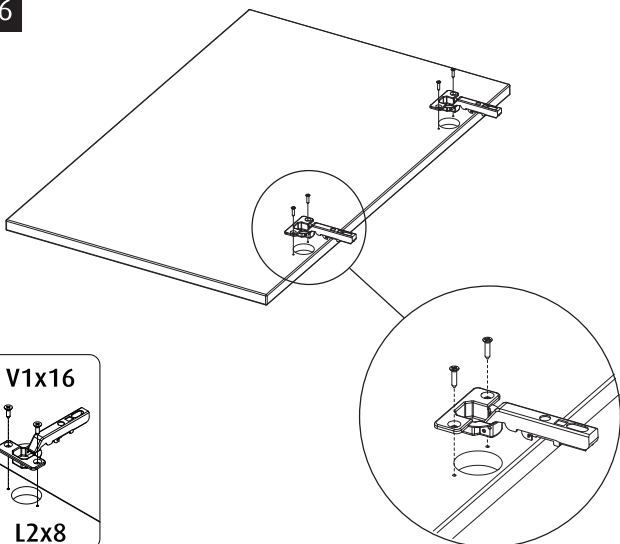
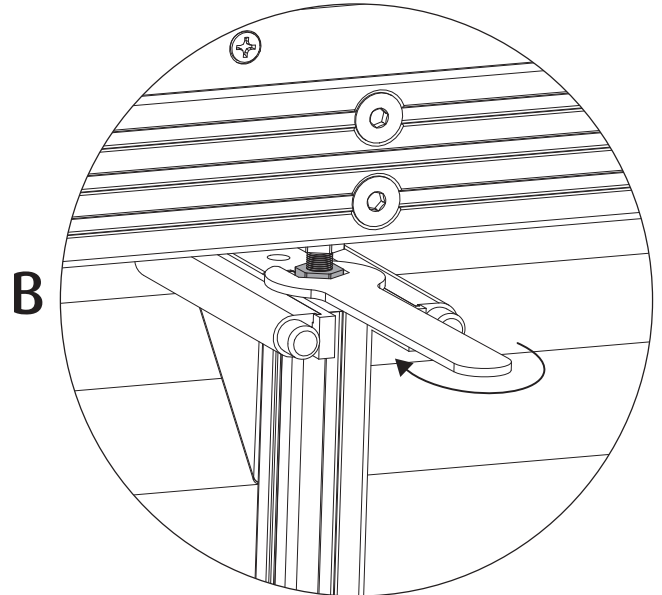
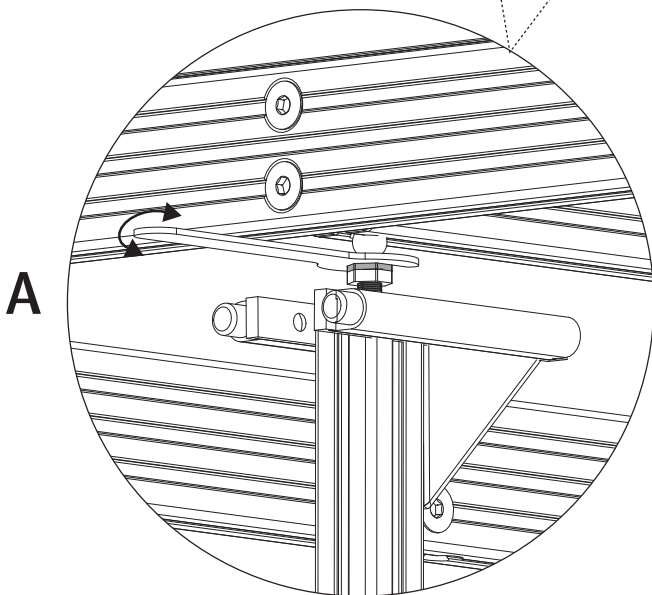


74

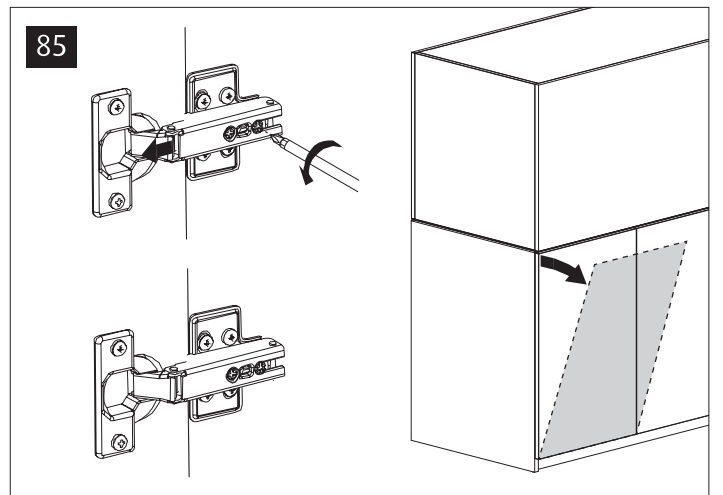
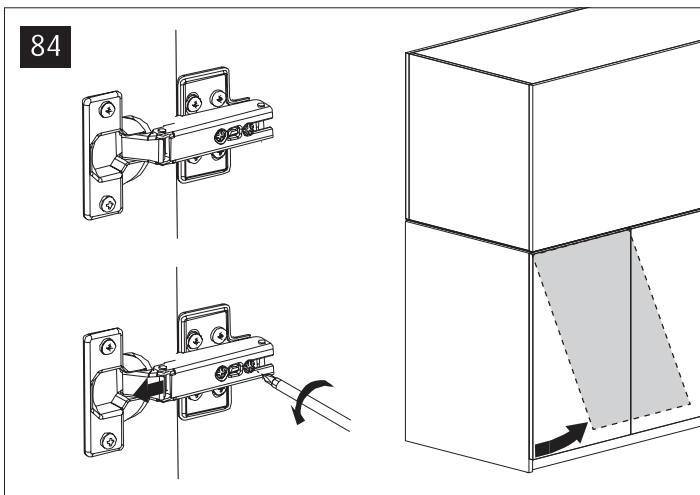
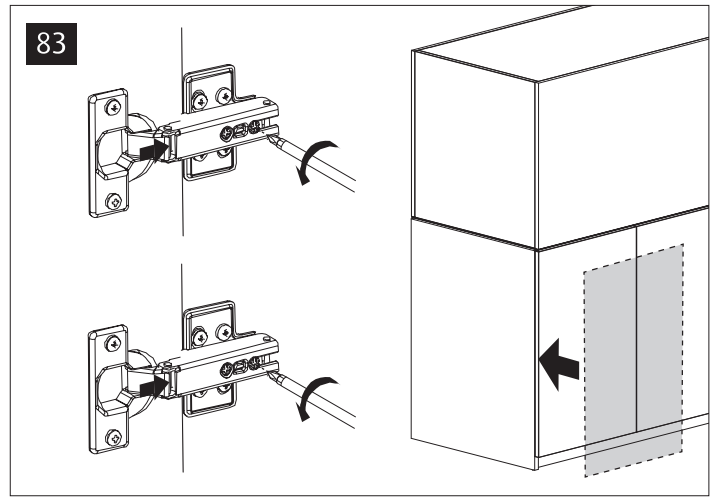
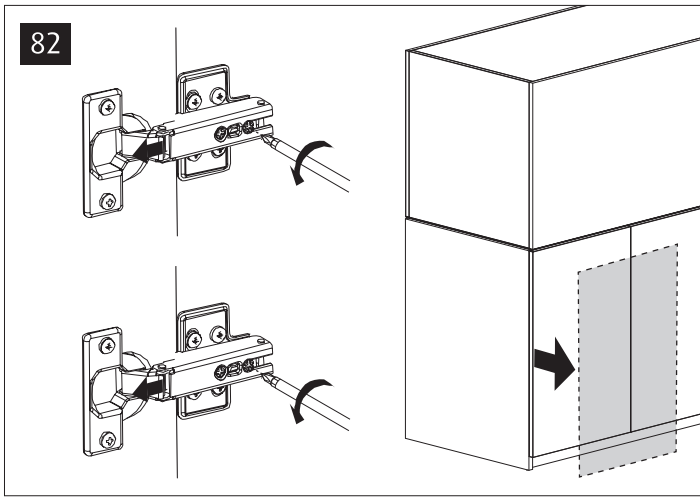
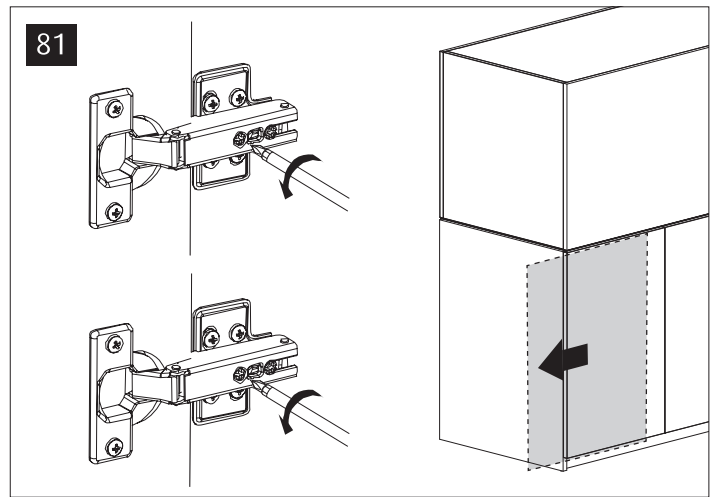
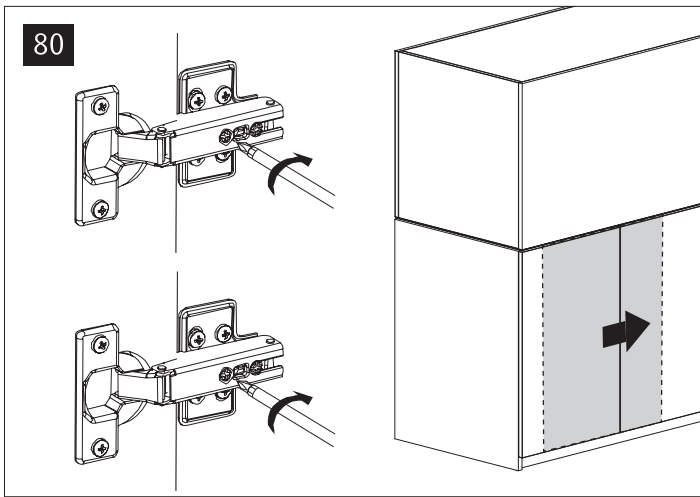
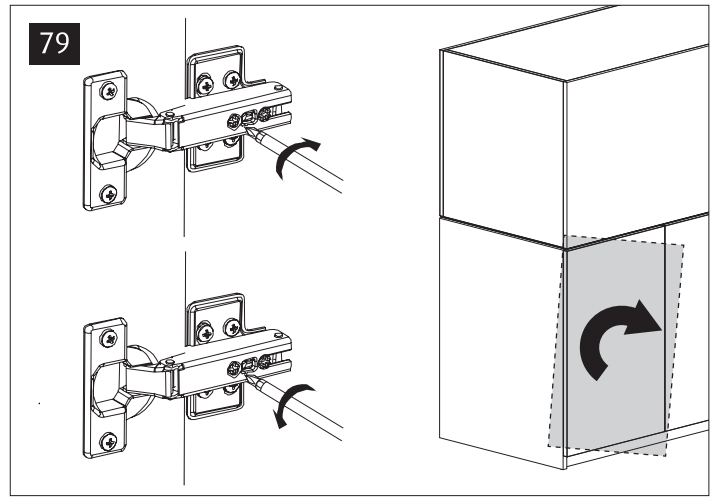
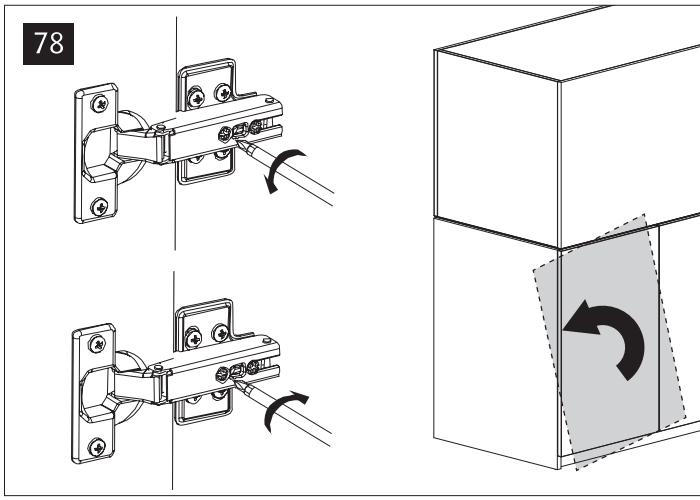




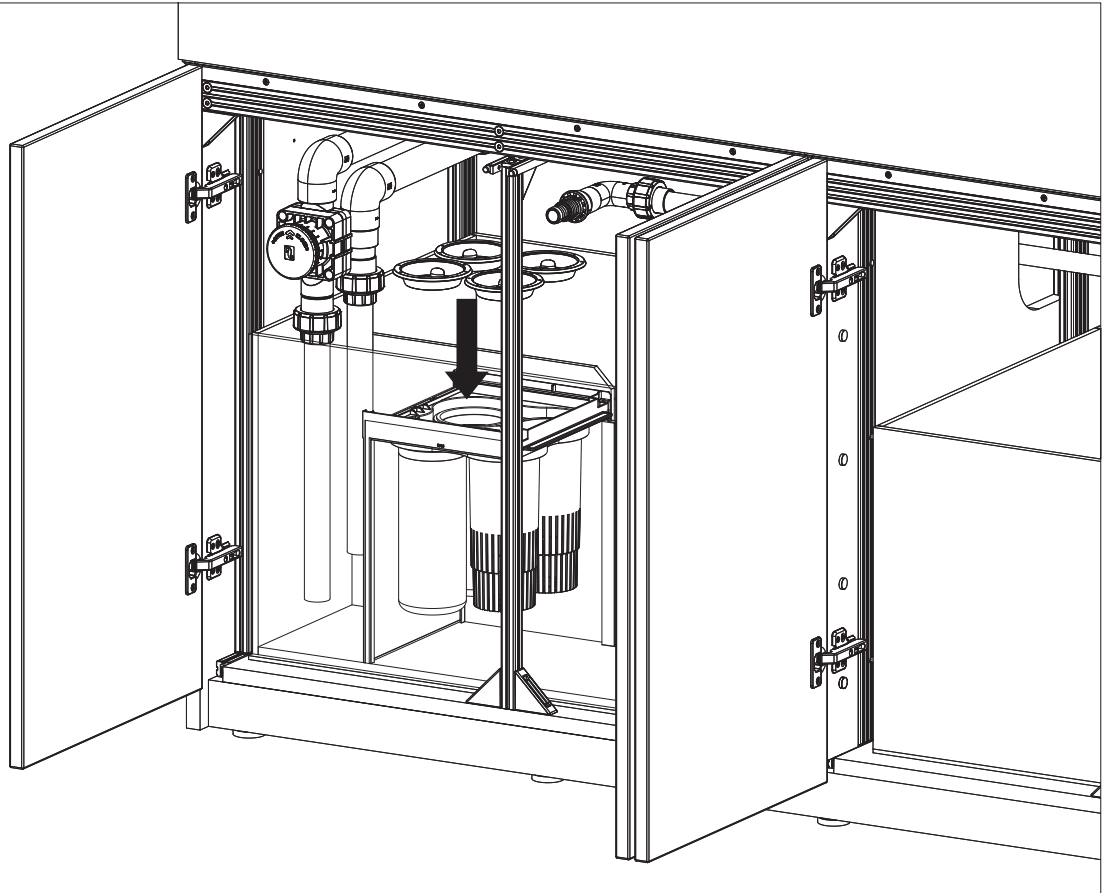
$h_1 = h_2 = h_3$



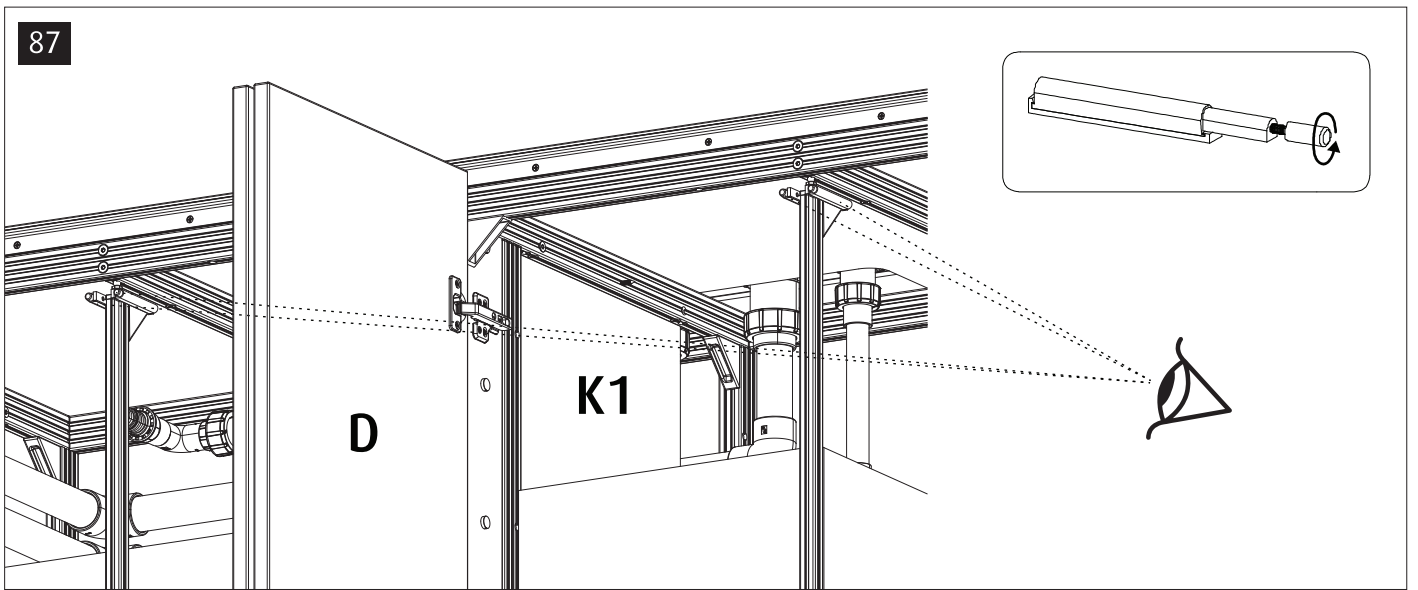




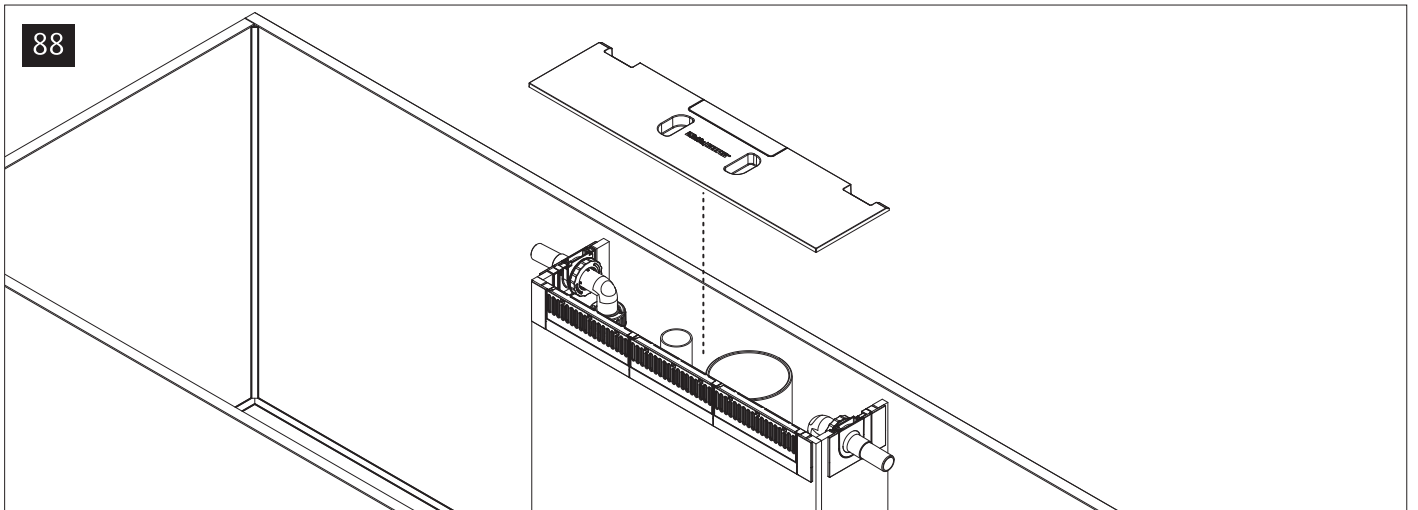
86



87

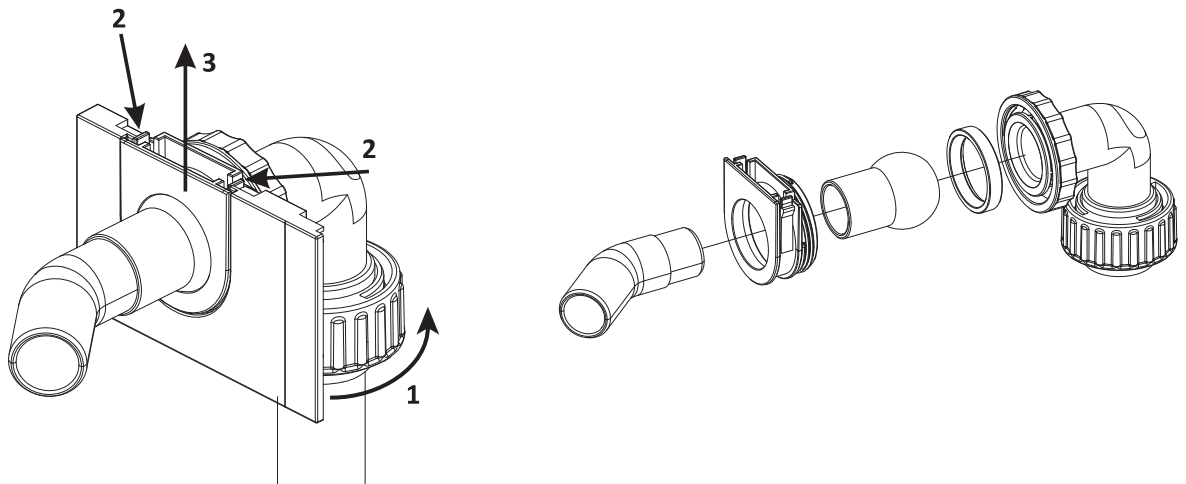


88

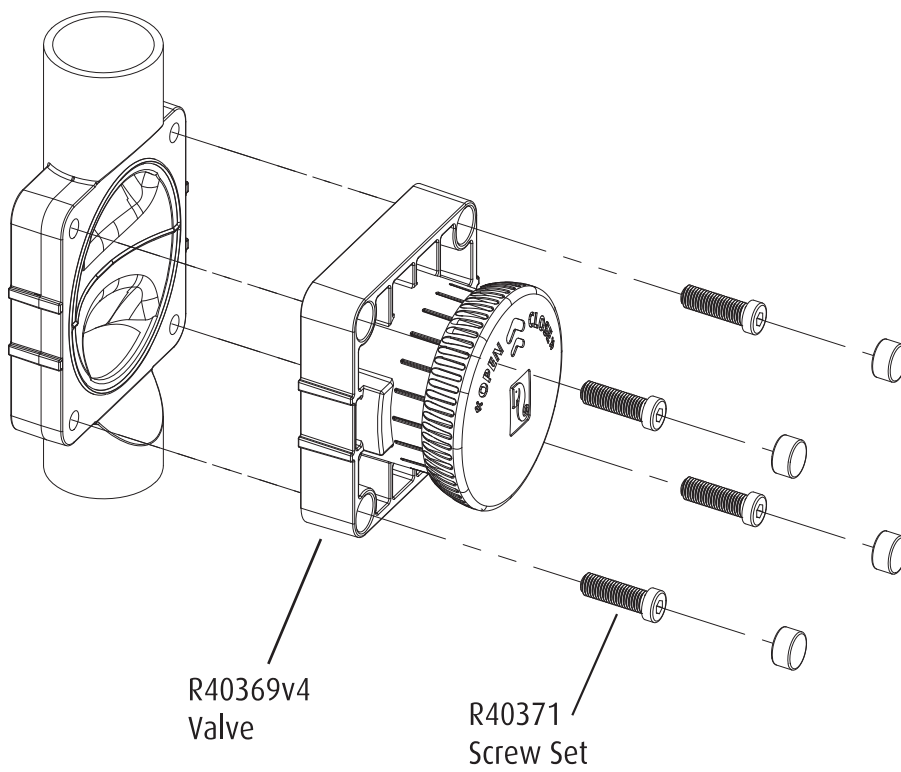


# MAINTENANCE

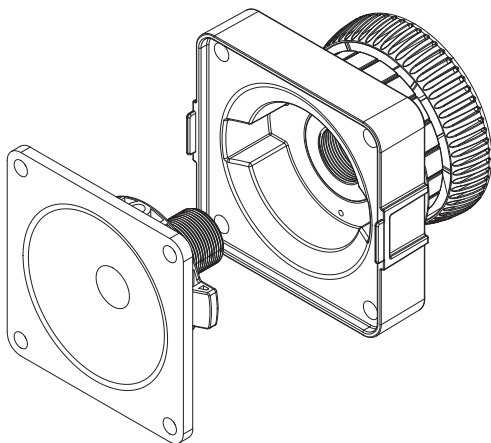
**A**



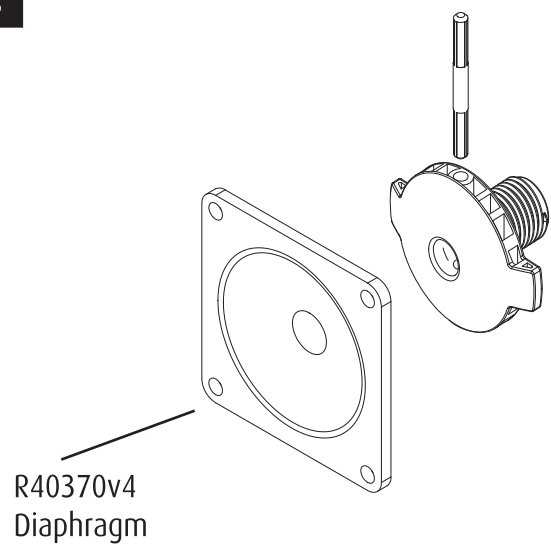
**B 1**

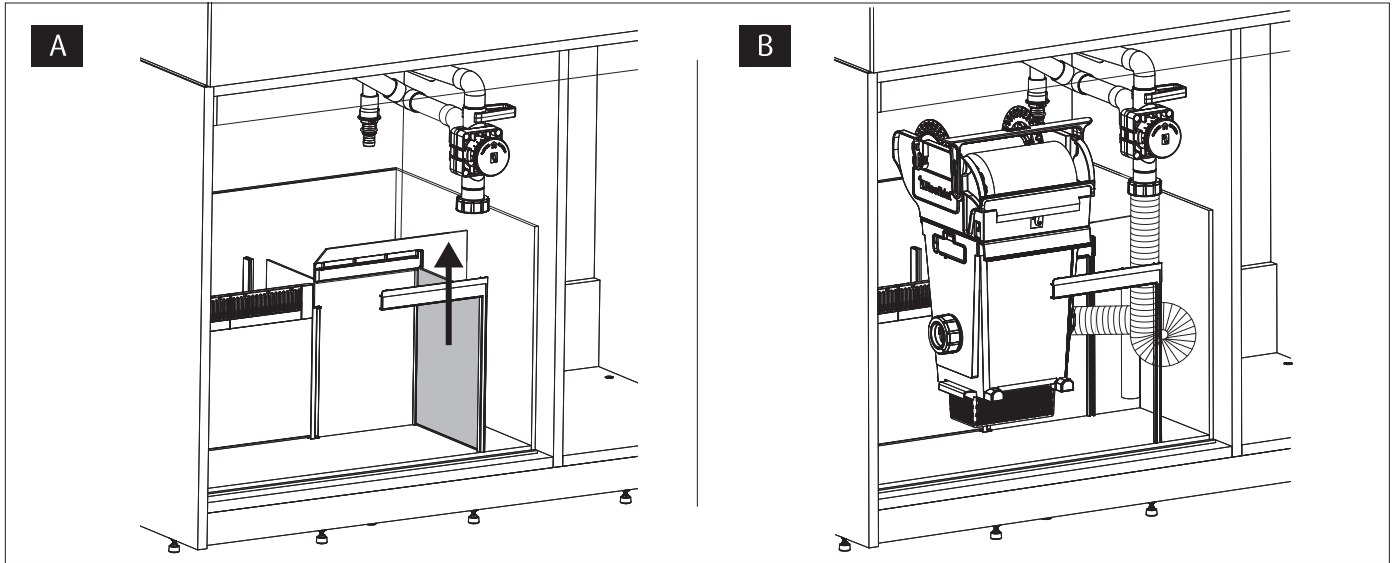


**2**



**3**





*Europe*

**Red Sea Europe**  
655 Rue des Frères Lumière  
27130 Verneuil d'Avre et d'Iton,  
France  
support.fr@redseafish.com

*UK & Ireland*

**Red Sea Aquatics (UK) Ltd**  
PO Box 1237  
Cheddar, BS279AG  
uk.info@redseafish.com

*North America*

**Red Sea U.S.A & Canada**  
4687 World Houston Parkway  
#200  
Houston, TX 77032, U.S.A  
support.usa@redseafish.com

*Germany & Austria*

**Red Sea Deutschland**  
Büro Deutschland  
Prinzenallee 7 (Prinzenpark)  
40549 Düsseldorf  
support.de@redseafish.com

*China*

**Red Sea Aquatics (GZ) Ltd.**  
Block 2-4, No.168, West Yingbin  
Road, Xinhua Industrial Park,  
Huadu District, Guangzhou City,  
China, Postal code 510812.  
Tel: +86-020-6625 3828  
info.china@redseafish.com