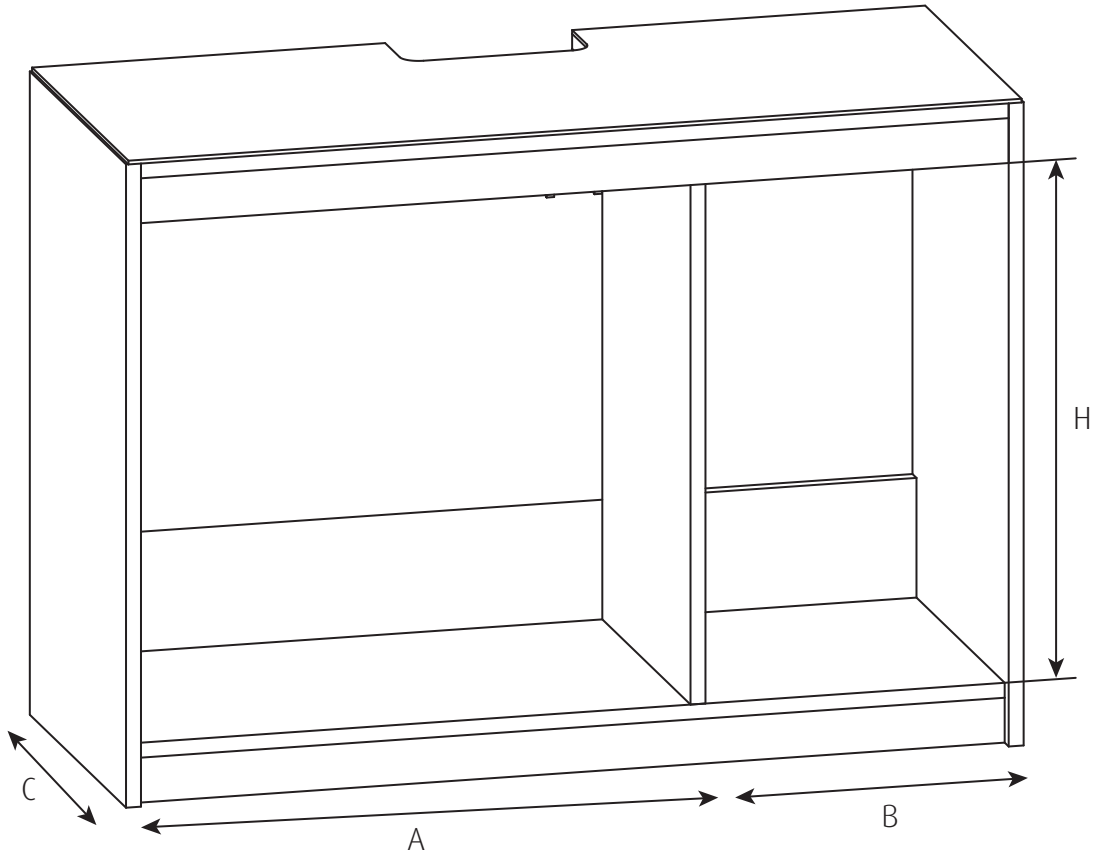


Red Sea REEFER™

350 G2+ / 425 G2+ / 525 G2+



	350 G2+	425 G2+	525 G2+
Sump Compartment "A"	74cm/ 29 9/64"	74cm/ 29 9/64"	96cm/ 37/51/64"
Chiller Compartment "B"	40cm/ 15 3/4"	40cm/ 15 3/4"	48cm/ 18 57/64"
Depth (rear wall to door) "C"	46cm/ 18 7/64"	56cm/ 22 3/64"	56cm/ 22 3/64"
Height (Cabinet floor to Top header) "H"	70 cm / 27 9/16"	70 cm / 27 9/16"	70cm/ 27 9/16"