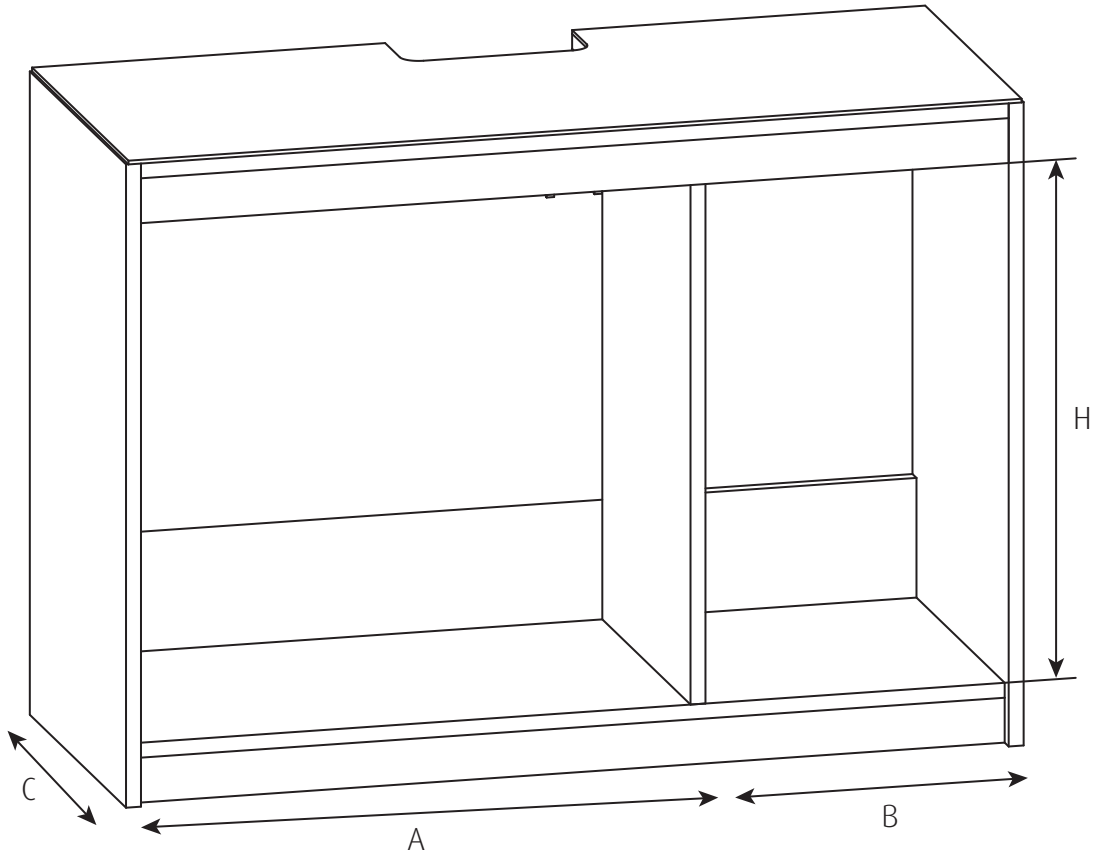


Red Sea REEFER™

625 G2+ / 750 G2+



	625 G2+	750 G2+
Sump Compartment "A"	96cm/ 37 51/64"	116cm/ 45 43/64"
Chiller Compartment "B"	48cm/ 18 57/64"	56cm/ 22 3/64"
Depth (rear wall to door) "C"	61cm/ 24 1/64"	61cm/ 24 1/64"
Height (Cabinet floor to Top header) "H"	70 cm / 27 9/16"	70 cm / 27 9/16"