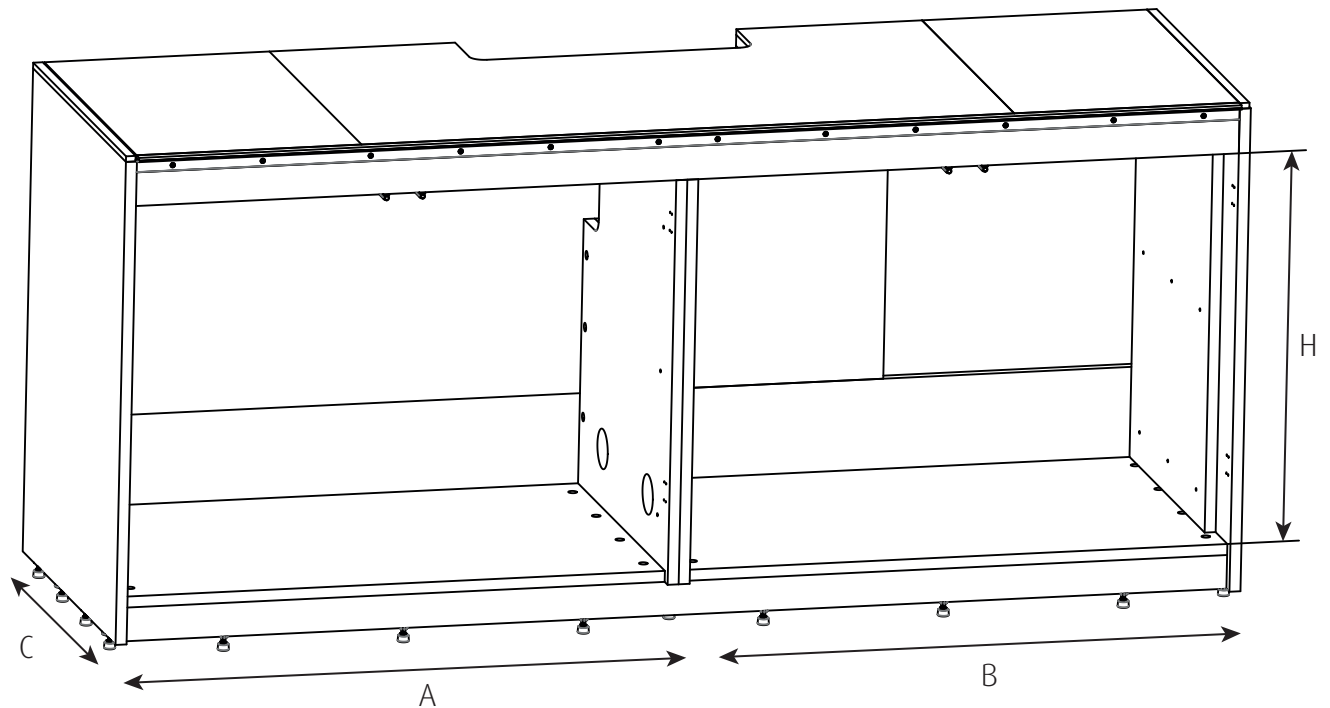


Red Sea REEFER™

900 G2+



	900 G2+
Sump Compartment "A"	94cm / 37 1/64"
Chiller Compartment "B"	94cm / 37 1/64"
Depth(rear wall to door) "C"	61cm/ 24 1/64"
Height (Cabinet floor to Top header) "H"	70 cm / 27 9/16"