



ReefMat[®] 250

User Manual

ENG | JP | CH

 Red Sea

ReefMat® 250

Smart- Plug & Play®- Efficient

User Manual



Contents

Introduction.....	5
ReefMat Components.....	6
Safety	7
Overview.....	8
Features of the ReefMat smart fleece-mat roller filter.....	8
Benefits of roller filters over static mechanical filters.....	9
Preparations before installing the ReefMat roller filter.....	9
Installation of the ReefMat.....	12
LED Indicators.....	15
Settings Button - Function.....	16
Wind / Unwind Buttons.....	16
Connection and initial Setup.....	17
Inserting a new fleece-mat roll.....	17
Activating a new fleece-mat roll.....	21
Operation.....	22
Other Settings.....	24
ReefMat Data.....	25
Partial Roll.....	26
Removing used fleece-mat from the Take-up shaft.....	26
Device Maintenance.....	27
Troubleshooting.....	28
Warranty.....	30

Introduction

Congratulations on your purchase of Red Sea's ReefMat®.

The ReefMat is a plug & play, fully automated, smart fleece roller filter that keeps your aquarium water crystal clear for weeks at a time. Designed with the hobbyist in mind, the ReefMat features an easy fleece-mat replacement system that allows you to switch rolls without having to remove the filter from the sump or turn off the pumps.

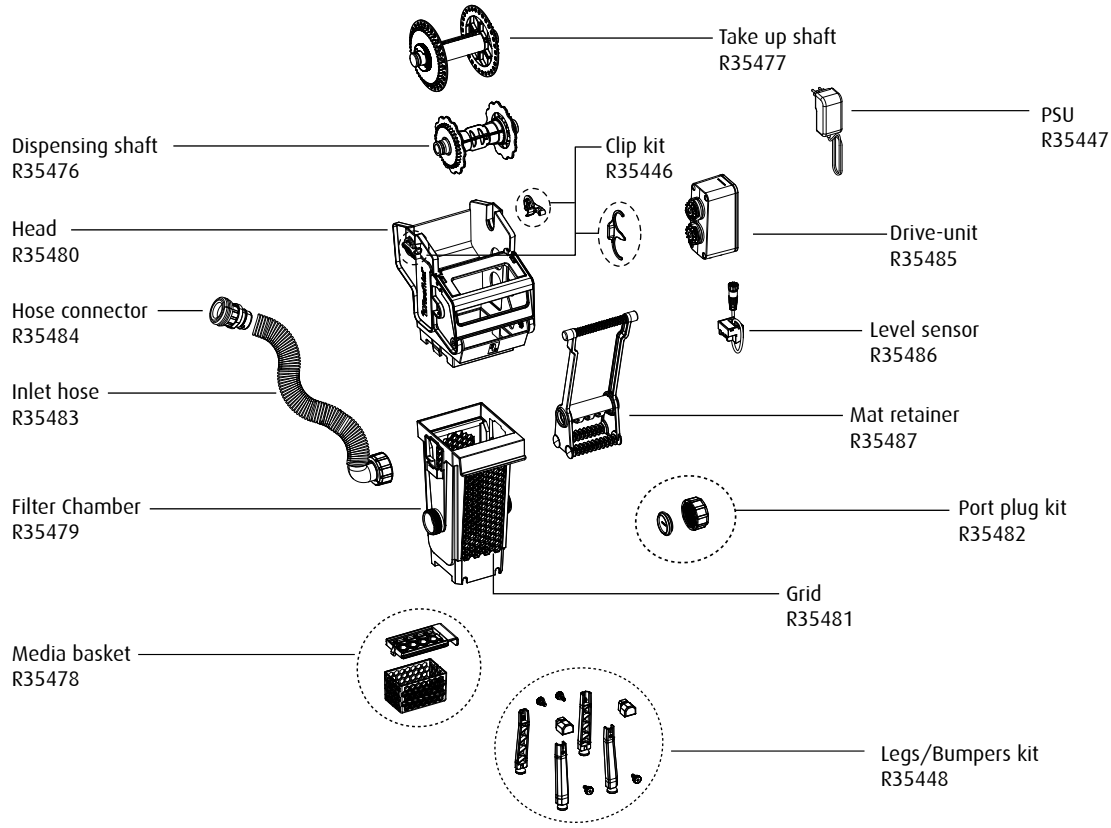
ReefMat includes a smart drive unit that controls and monitors the exact length of fleece-mat that is used as well as many other unique features.

ReefMat is part of Red Sea's suite of smart devices that are operated via Wi-Fi by Red Sea's ReefBeat® App, which needs to be installed on a smart mobile device with internet connectivity.

Welcome to Red Sea's smart reef-keeping.

Sincerely,
The Red Sea Team

ReefMat Components



Safety

PLEASE READ AND FOLLOW ALL SAFETY INSTRUCTIONS.

THIS DEVICE IS INTENDED FOR HOUSEHOLD AND INDOOR USE ONLY.

DANGER: To avoid possible electric shock, special care should be taken when handling a wet aquarium. For each of the following situations, do not attempt repairs yourself; return the appliance to an authorized service facility for service or discard the appliance.

WARNING: To guard against injury, basic safety precautions should be observed, including the following:

Do not operate any appliance if it has a damaged cord or plug, if it is malfunctioning, or if it is dropped or damaged in any manner.

This appliance can be used by children aged from 8 years and above and persons with reduced physical, sensory or mental capabilities or lack of experience and knowledge if they have been given supervision or instruction concerning use of the appliance in a safe way and understand the hazards involved. Children shall not play with the appliance.

Cleaning and user maintenance shall not be made by children without supervision.

The appliance is only to be used with the power supply unit provided with the appliance.

Close supervision is necessary when any appliance is used by or near children.

To avoid injury, do not contact moving parts.

Always unplug an appliance from an outlet when not in use, before

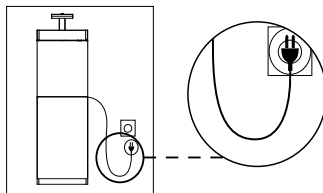


Figure 1: Drip Loop

putting on or taking off parts, and before cleaning. Never pull the cord itself to remove the plug from the outlet. Grasp the plug and pull to disconnect.

Do not use an appliance for anything other than its intended use. The use of attachments not recommended or sold by the appliance manufacturer may cause unsafe conditions.

Do not install or store the appliance where it will be exposed to the weather or to temperatures below freezing point.

Make sure an appliance is securely installed before operating it.

Read and observe all the important notices on the appliance.

Note: A cord rated for less amperes or watts than the appliance rating may overheat. Care should be taken to arrange the cord so that it cannot be tripped over or pulled accidentally.

Do not use if cord is damaged. In case of need, do not attempt to replace or repair yourself; return the appliance to an authorized service facility for service or discard the appliance.

Rating info:

Operating Temperature: 5 to 45°C

Relative Humidity: 15~85%RH

Supply voltage: 100-240V 50/60Hz

Rating: 1A, @10W Max.

Operating Voltage 12 Vdc

Operating Frequency: 2402 - 2480 MHz

Max. Power: 32.43 mW

Overview

The ReefMat is a mechanical filter that removes particulate matter from aquarium water by passing the water through a fleece filter material (fleece-mat) that physically traps the particles that are larger than the mesh of the filter material.

The ReefMat is designed to be located under an aquarium inside the sump and is either gravity fed with water directly from the aquarium or by a dedicated pump that is also located in the sump.

The fleece-mat is supplied in the form of a continuous roll that passes over a series of filter grids inside the filter chamber.

The ReefMat filter chamber is open at the bottom and when the fleece-mat is new the water level inside the chamber will be at the same level as the water in the sump. As the fleece-mat traps more and more waste particles, the water level inside the filter chamber slowly rises.

A water level sensor that is located near the top of the filter body detects the rising water level and at a predefined point will trigger an automatic advancement of the fleece-mat thereby introducing a preset length of clean material, reducing the water level inside unit. This process continues automatically for the full length of the roll which then needs to be replaced.

Features of the ReefMat smart fleece-mat roller filter

Designed with the hobbyist in mind, the ReefMat features an easy mat replacement system that allows rolls to be replaced without having to remove the filter from the sump or even turn off the pumps.

ReefMat includes a dual, solid-state water level sensor and an unprecedented smart drive unit that drives, controls and monitors the exact length of mat that is used. ReefMat is Wi-Fi connected to Red Sea's ReefBeat smart aquarium eco-system and will give you a head's up a few days before the fleece-mat needs replacing or let you know if it needs your attention. The system provides you with a daily and hourly usage log so that you can monitor the performance of your current roll and even keeps track of your previous rolls.

The patent-pending drive-unit, drives the used material take-up shaft while recording the rotation of the new material dispensing shaft. This arrangement enables the unit to immediately turn off the motor if it identifies that the fleece-mat has become blocked or torn as well as sending a notification to the ReefBeat App.

The dual water level sensor is mounted at the top of the filter chamber with one sensor inside the chamber and one outside. The internal sensor is for the regular operation of the ReefMat while the external sensor will detect if there is a high-water level in the sump (such as when the main return pump is off) and prevent continuous dispensing of new fleece-mat.

The built-in media basket at the ReefMat outlet will improve the performance of all filtration media by ensuring only pre-filtered water flows through them.

Benefits of roller filters over static mechanical filters

Static mechanical filters such as micron socks, floss, pads etc. do a good job of trapping filter particles. However until these static filters are removed and washed, the trapped particles remain in the water and gradually decompose adding nutrients (nitrate and phosphate) to the system. Using a correctly rated roller filter will physically remove all collected particles within about a day, significantly reducing their decomposition. Due to the efficiency of the ReefMat, especially with carbon in the built-in media basket, you may well notice a drop in nutrient levels shortly after it is added to an established aquarium.

Red Sea systems

If you are retrofitting the ReefMat to a Red Sea REEFER or MAX aquarium system, check out the recommended installation options on the web-site:

<https://www.redseafish.com/reefmat-installation-options>

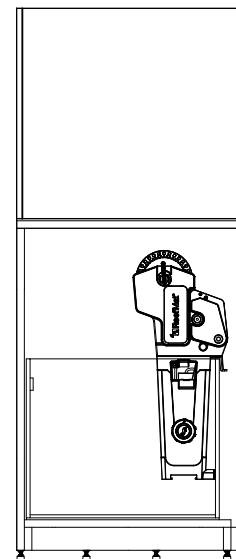
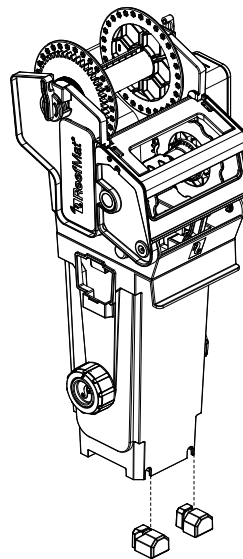


Preparations before installing the ReefMat roller filter

ENG

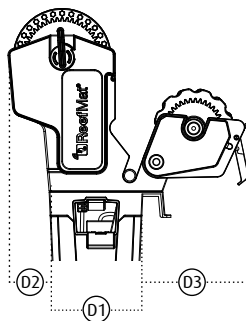
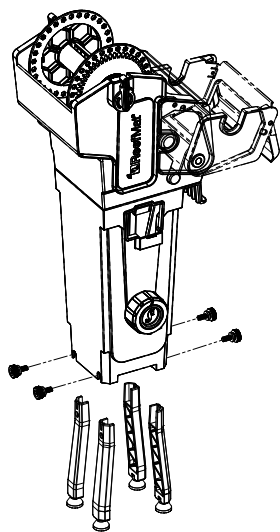
Hang-on Installation

For ease of maintenance, it is recommended to hang the ReefMat on the front wall of the sump. For this installation insert the rubber spacers to the bottom front of the filter chamber.



Freestanding Installation

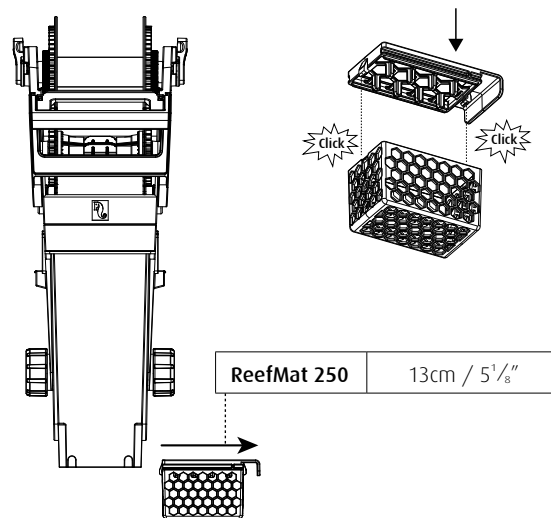
Attach the 4 legs to the bottom of the filter chamber and make sure that there is enough room in front of the ReefMat to fully open the front flap.



	ReefMat 250
D1	11.5cm / 4 ¹⁷ / ₃₂ "
D2	5cm / 1 ³¹ / ₃₂ "
D3	13cm / 5 ¹ / ₈ "

Media Basket

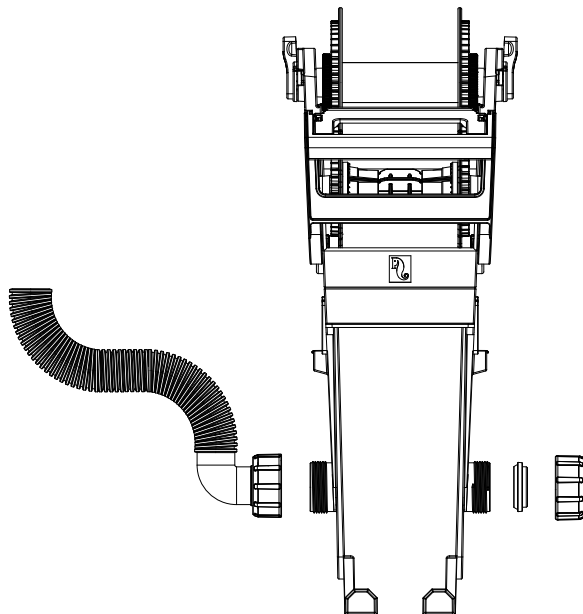
If you plan on using the media basket, make sure that there is enough room to slide the basket completely out from one side of the filter chamber.



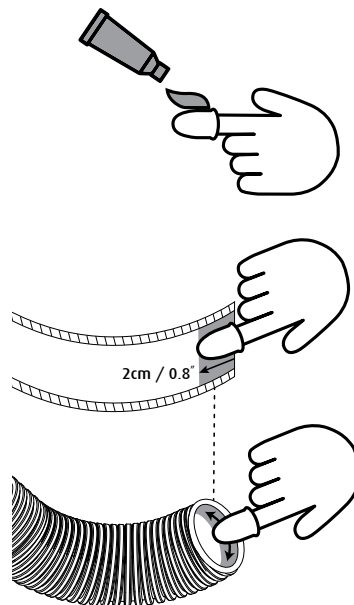
ReefMat 250 13cm / 5¹/₈"

Inlet Hose

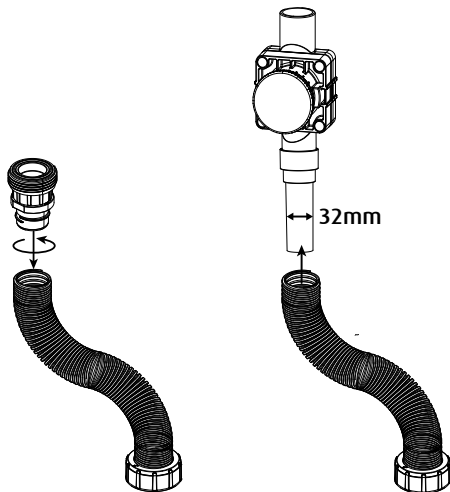
The kink-resistant corrugated inlet hose is supplied with one end ready for connection to one of the inlet ports that are on either side of the filter chamber.



Cut the free end of the hose to the required length according to your installation. Using the finger-cover provided, spread a small amount of the liquid sealant on the first 2cm / 0.8" of the internal surface of the hose and screw in the hose connector until it is tight. Remove the excess sealant from inside the hose.



Note: This part has a left-hand thread. The pipe can be used before the sealant is dry. The other side of the universal connector can be glued to standard 32mm or 1" PVC piping.

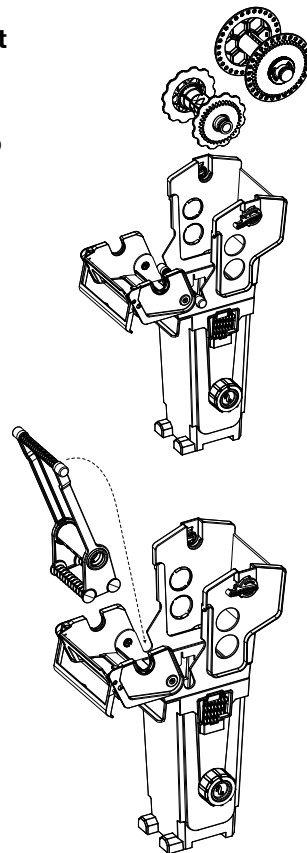


Alternatively, the free end of the corrugated hose can also be attached directly to standard 32mm diameter PVC tubing as used in most Red Sea Reefer series systems. This join is not under any water pressure, however it is advisable to use the liquid sealant and secure the corrugated hose in place with a cable tie.

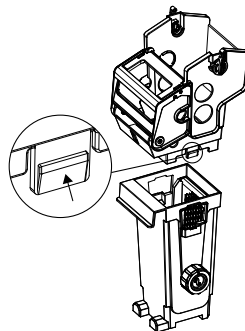
Installation of the ReefMat

Rotate the Take-up Shaft Locks to the open position and remove the take up shaft from the ReefMat Head. Unlock the front flap by raising the handle and rotate the flap forwards to its horizontal position and remove the dispensing shaft.

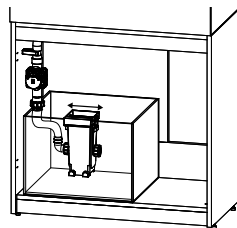
Raise the mat-retainer fully out of the filter chamber, close the flap and lock in position by lowering the handle.



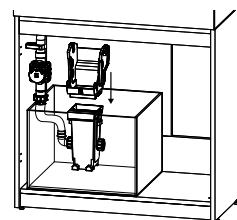
Remove the ReefMat Head from the Filter Chamber by pressing on the side latches while lifting it up.



Place the filter chamber into the chosen location inside the sump and connect the inlet hose to the inlet port on either the left or right side of the filter chamber.

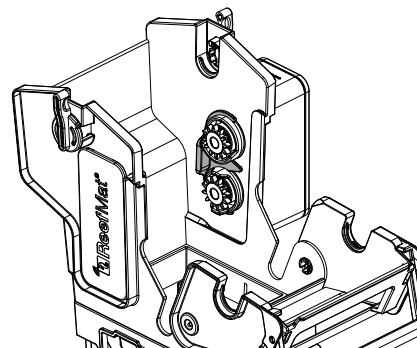
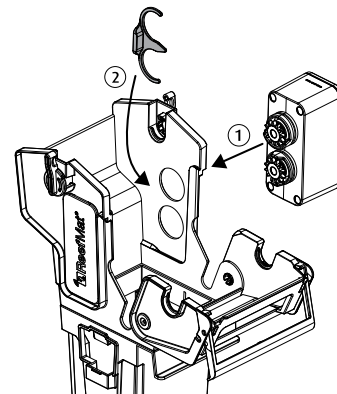


Make sure that the filter grid is in position inside the chamber and click the ReefMat Head unit into place.

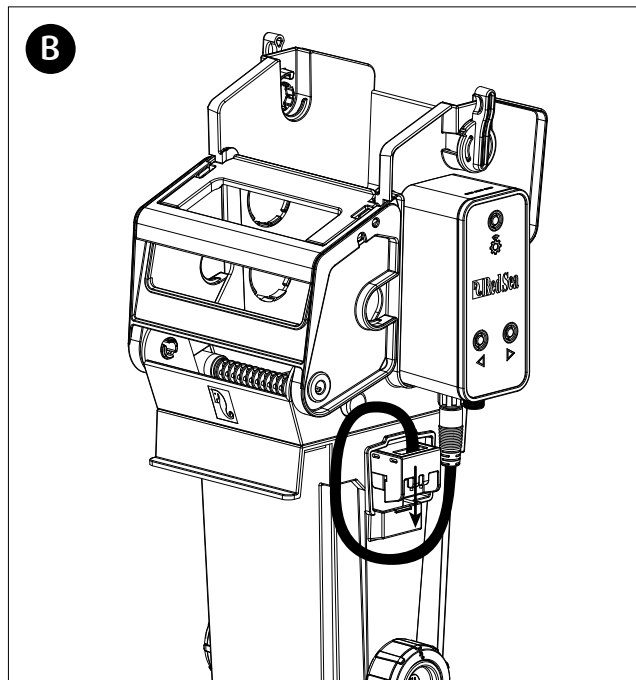
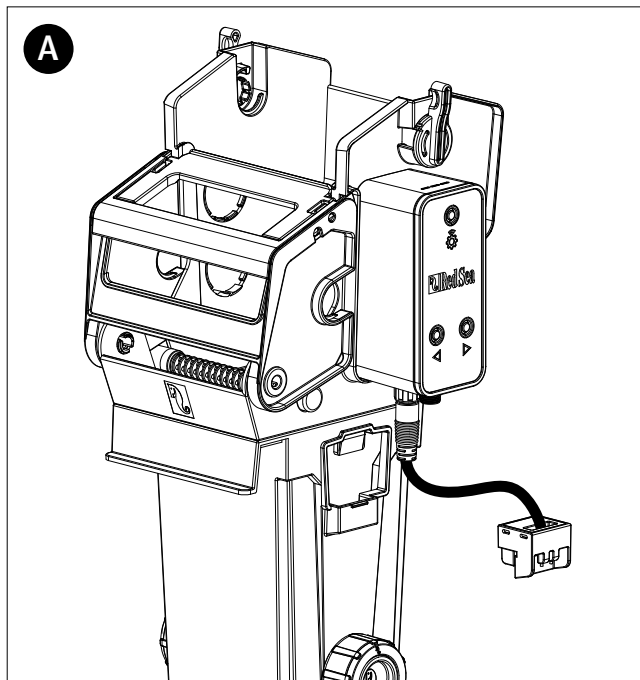


Connect the DC power-supply to the 2-pin power inlet port at the bottom of the drive-unit. Connect the water level sensor to the 4-pin inlet port at the bottom of the drive-unit.

Mount the drive-unit on either the left or right side of the ReefMat Head and secure it in position with the clip provided. Make sure that you have enough room by the side of the drive-unit to operate the Wi-Fi setting and Wind/Unwind buttons.



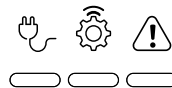
Mount the level sensor to its operating position on the filter chamber.



Thread the power-supply out the rear of the cabinet and insert it into the wall outlet or other suitable power center. Check that the indicator LED on top of the drive-unit is on.

Onboard the drive-unit to the ReefBeat App and complete the initial setup before installing the fleece-mat.

LED Indicators


ENG


Power Indicator:

- Solid Red light – DC power is available.
- No Red light – DC power is not available.



Settings Indicator:

- Solid Red light – ReefMat is connected to the Home network.
- Blinking Red light – ReefMat is in Wi-Fi Access Point (AP) mode (can be discovered by Wi-Fi devices).
- No Red light – ReefMat Wi-Fi is off.
- Double blink – indicates change of status / end of process.



Status Indicator:

- No Red light – ReefMat is operating normally.
- Blinking Red light – indicates that the Auto-Advance mode has been suspended for one of the following conditions: High-Water, Level sensor disconnected, Jammed-Mat, End-of Roll. **Simultaneous pressing of the wind/unwind buttons resets the ReefMat to Auto-Advance mode.**

Settings Button - Function

If indicator LED is off (ReefMat Wi-Fi is off): Pressing button for 5 seconds (until double blink) activates Wi-Fi AP mode.

If indicator LED is blinking (ReefMat Wi-Fi is in AP mode): Pressing button for 5 seconds (until double blink) switches Wi-Fi off.

If indicator LED is on (ReefMat Wi-Fi is connected to a Wi-Fi network): Pressing button for 5 seconds (until double blink) disconnects the ReefMat from the network and switches it to Wi-Fi AP mode.

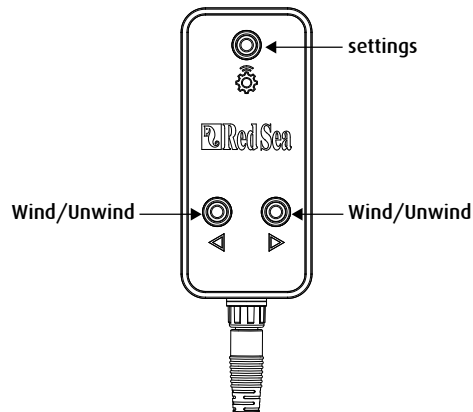
(Note: before disconnecting a ReefMat from a network, delete the ReefMat from the ReefBeat App via the Device Manager.)
Note: All settings are retained and can be restored when reconnected to the ReefBeat.

Clear Settings: Pressing the button for 15 seconds (until double blink) deletes all user settings and switches off the Wi-Fi. Complete the reset process by disconnecting and reconnecting the DC power.

Wind / Unwind Buttons

Pressing the button at the rear of the drive unit will manually advance material from the dispensing roll and wind (▷) it on to the take-up roll. Pressing the button at the front of the drive unit (◁) will manually dispense used material from the take-up roll however it is not automatically wound back to the dispensing roll. This action is primarily to release the tension on the take-up roll so that it can be easily removed from its normal operating position.

Note: The direction of rotation of the wind/unwind buttons are set when selecting the right/left installation of the drive-unit. The default setting is for right side installation where the buttons will work correctly even before onboarding to ReefBeat. For left side installation the buttons will work in the opposite direction until onboarded to ReefBeat.



Connection and initial setup

Download and install the ReefBeat-App from the app Store or Google Play as appropriate for your Smart Mobile Device (SMD). If this is your first ReefBeat device you will need to set up an account and add some details of your aquarium. If you do not have a permanent internet connection set the aquarium to "Offline".

Set your ReefMat to AP mode by pressing the settings button for 5 seconds (until double blink). The indicator LED should be blinking.

Tap the Add Device button from the Device Manager page, select the icon and follow the instructions in the app. This may take a few seconds. If no devices appear on the list, check that the ReefMat is in AP mode and/or refresh the page.

ReefBeat-App will now display a list of Wi-Fi networks and signal strengths that are available to the ReefMat from its current location. Select your preferred network and wait a few moments while the ReefMat connects to it. The indicator LED will now be a solid red. Follow the instructions on the app for initial settings.

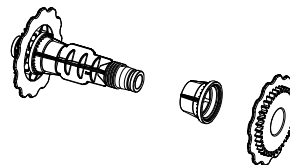
If you have set the aquarium to Offline, select the "Direct Mode" option at the top of the screen to skip the network connection. The indicator LED will continue to blink as the ReefMat Wi-Fi remains in AP mode.

Follow the instructions in the app for connecting the ReefMat to the ReefBeat App and cloud. Then select which side of the ReefMat (Left or Right) you have installed the drive-unit. It is best to come back to the App and confirm that the fleece-mat roll has been installed after it has actually been installed to avoid triggering any of the warning notifications.

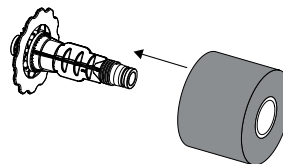
Inserting a new fleece-mat roll

ENG

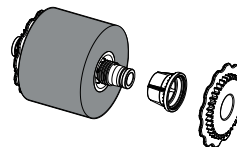
Remove all of the packaging material and assemble the new mat onto the dispensing shaft as follows:
Disassemble shaft.



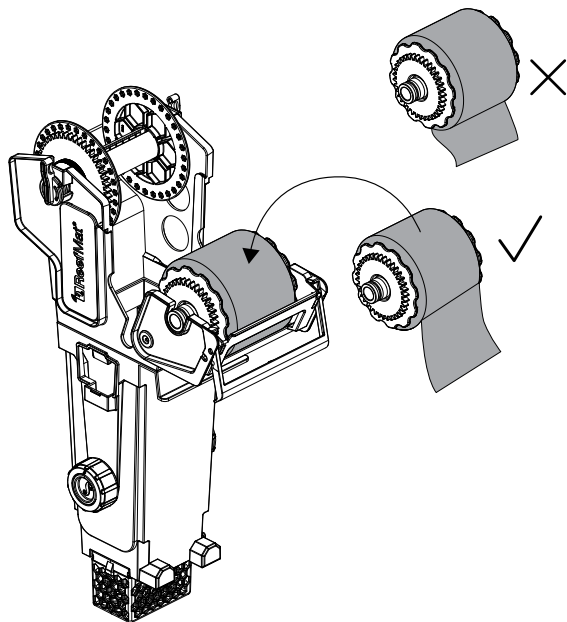
Insert the shaft into the cardboard core of the new roll.



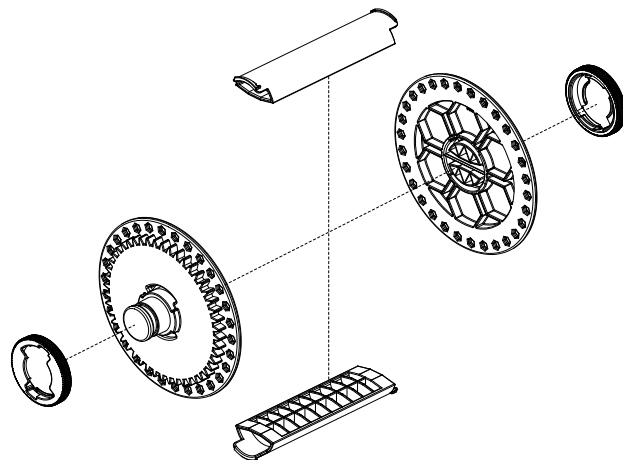
Insert the chuck on the shaft and screw the side plate firmly into position.



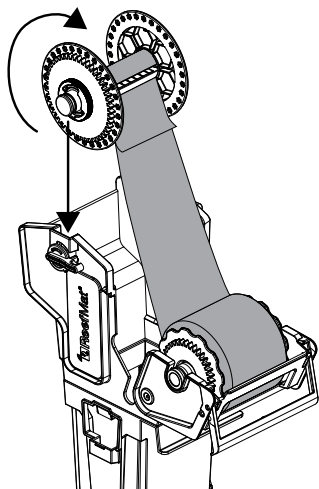
Open the flap and place the dispensing shaft into the recesses in the flap, with the free end of the material hanging down on the outside.



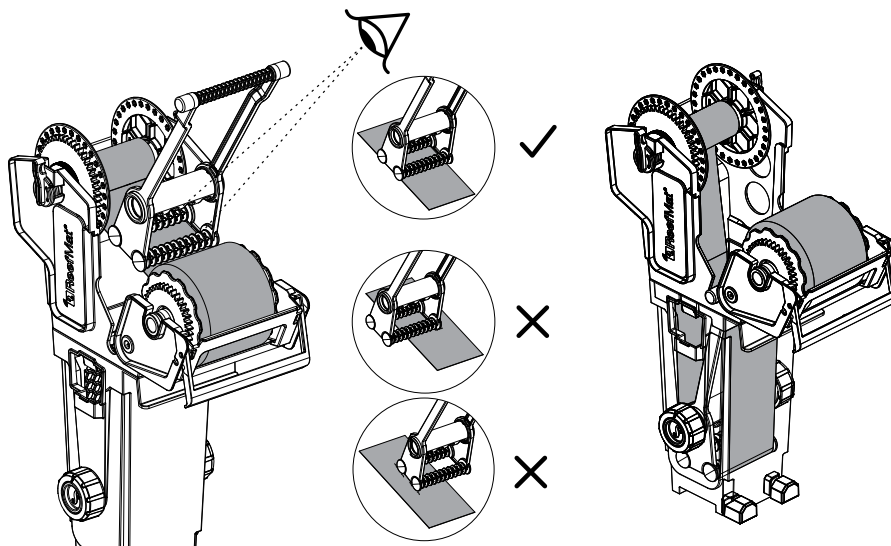
Note: Disassemble and reassemble the take-up shaft to familiarize yourself with how this is done. This will make it easier when you need to remove the first full used roll.



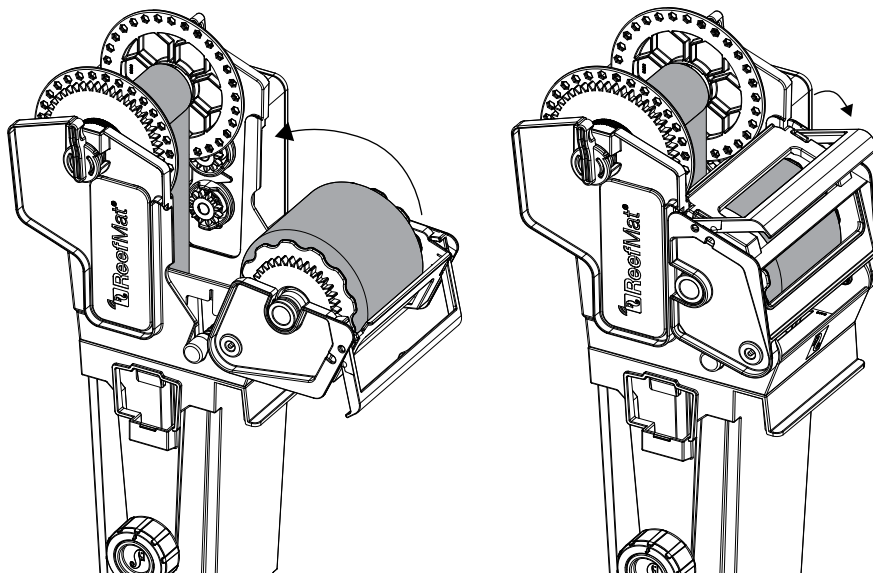
Thread the free edge of the fleece-mat into the slot in the take-up shaft and rotate the top side forwards (so that the new material comes from the bottom rear of the shaft) for a few turns to firmly attach the material to the shaft. Lower the shaft to its operating position in the Head and rotate slightly as the gears on the shaft engage with the gears on the drive-unit. Close the side locks to hold the shaft in position.



Check that the seals are mounted on both sides of the retainer. Align the external rollers with the outer edges of the fleece-mat. Carefully lower the retainer inside the chamber until it is firmly seated at the bottom and the retainer handle is in its slot in the head. The mat will naturally unwind from the new roll while lowering the retainer as the take-up shaft cannot rotate freely.



Return the flap to the upright position and lock in position by lowering the handle. Make sure that the fleece is tightened by rotating the dispensing roll. Alternatively, pressing the wind button on the drive-unit will wind any loose material on to the take-up roll.



Activating a new fleece-mat roll

- Open the App and go to the “New roll installation” from the settings page and select the “Full roll” option. This will activate the unit in the normal operating “Auto-Advance” mode. If you are not installing a full roll, see the “partial roll” instructions below.
- When installing a new roll, the entire filter chamber is lined with clean fleece-mat and therefore it could take quite some time before the initial fleece-mat gets blocked enough for it to be advanced. The ReefBeat homepage will present the initial length (38cm / 15”) in the usage progress bar included in the “today” and “total usage” counters.
- If you wish to ensure that you have installed the new roll correctly, use the “Manual Advance” option from the settings page to advance the fleece-mat by the preset default length of 2 – 2.5cm / 0.8”-1”.

Operation

Auto-Advance

The ReefMat is designed to automatically advance the fleece-mat by a preset length each time the water level inside the filter rises to the level of the internal water sensor. The auto-advance function can be disabled/enabled as required from: **Homepage>settings page>Auto Advance**. When activated the auto-advance function will continue for the entire length of the roll unless one of the following situations occur. In such cases the appropriate notification will be sent to the ReefBeat App, the status indicator LED on the drive-unit will blink and the ReefMat will wait for your intervention to resolve the issue.

If there is no Auto-Advance for a period of 6 hours the drive-unit will perform an automatic self-test of approximately 0.5cm / 0.2" that will detect if the fleece-mat is torn.

Jammed-Mat

In the event that the fleece-mat cannot advance due to a mechanical blockage (the take-up shaft is stuck or is rotating without advancing the fleece-mat) or the fleece-mat gets torn, the drive-unit will stop trying to advance the fleece-mat and wait for your intervention to resolve the issue. The status indicator LED on the drive-unit will blink. The ReefBeat App will receive a notification and the status in the homepage will be shown as "Jammed-Mat".

If the fleece-mat is blocked, it is most likely that an animal such as a snail has got wedged between the fleece-mat and one of the rollers on the retainer. To resolve the blockage, do the following:

- Press on the unwind button until about 2.5cm/1" of fleece-mat has been released from the take-up roll.
- Rotate the dispensing roll by hand to take up the released fleece-mat. This may dislodge whatever is causing the blockage without having to remove the mat retainer.
- Press on the wind button until the fleece-mat advances about 5cm or 2". If this does not resolve the blockage then do the following:
 - Open the front flap and move the dispensing roll from the head to the flap.
 - Raise the mat-retainer and remove it from the fleece-mat.
 - Wash the mat-retainer and ensure that the guide rollers can rotate freely.
 - Return the mat-retainer to the fleece-mat and lock it back into position inside the filter chamber.
 - Return the dispensing roll to the head, close the flap and press the wind button until the dispensing roll begins to rotate.

If the take up shaft is still rotating without advancing the fleece-mat or the fleece-mat has torn, remove the used fleece-mat from the take-up shaft (cut the fleece-mat if required) and reinsert the fleece. Note: The usage counters will continue as normal as they are not affected by removing material from the take-up roll.

Once the jam has been resolved, restart the unit either from ReefBeat by pressing the “Resume” button or directly from the drive-unit by pressing on the wind/unwind buttons at the same time for 2 seconds.

Note: If the Jammed-Mat notification occurs within the first day of onboarding ReefMat to the ReefBeat, check that the Left/Right setting for the drive unit is correct. The wrong drive unit position setting will cause the “Jammed-Mat” state as soon as the first mat advance occurs.

Homepage>settings page>more settings>Drive-unit position

End of Roll

When a roll ends, the drive-unit will stop trying to advance the fleece-mat and wait for you to install a new roll. The status indicator LED on the drive unit will blink. The ReefBeat App will receive a notification and the status in the homepage will be shown as “End of Roll”.

Once the new roll has been installed, open the ReefBeat App and select the “New roll installation” from the settings page. If you are installing a partially used roll instead of a full new roll, see the instructions below.

No Level sensor

If the level sensor is not connected to the drive-unit, the ReefMat cannot function. The status indicator LED on the drive-unit will blink. The ReefBeat App will receive a notification and the status in the homepage will be shown as “No sensor”.

Once the sensor has been connected the drive-unit will return automatically to Auto-Advance.

High-Water

If the water level in the sump rises to the operating water level inside the ReefMat filter chamber (such as when the main return pump has been switched off) the drive-unit will stop trying to advance the fleece-mat until the water level in the sump drops (such as when the main return pump has been switched on again). While the High-Water state is detected the status indicator LED will blink and the status in the ReefBeat App will be shown as “High-Water”.

Set-up Error

Set-up error will be received after initial set-up or after installing a new fleece-mat if any of the following has occurred:

- Left/Right setting for the drive unit in the ReefBeat App is incorrect.
- The Mat on the take-up shaft has been wound the wrong way.
- The Mat roll has been installed the wrong way around on the Dispensing shaft.
- The free end of the new Mat was not firmly attached to the take-up shaft, and the shaft now rotates without advancing the Mat.

After resolving the issue you need to press the “Resume” button in the App, or simultaneously press on the wind/unwind buttons for 2 seconds for the ReefMat to resume its normal operation.

Other Settings

Manual Operation

The fleece-mat can be manually advanced by pressing the “wind” button on the side of the drive-unit. The length of fleece-mat advanced will be according to how long the button is pressed, however the actual length is recorded and is included in the hourly dispensing log.

A manual advance of the same length as the pre-set auto-advance can be given at any time by selecting the manual advance option from the head settings page. (*Homepage>settings page>manual advance*) This can be used to as a test to confirm the proper functioning of the unit.

Mat Advance (length)

The drive-unit can be set to auto-advance the fleece-mat from a minimum of 0.5cm – 1.0cm / 0.2 – 0.4” up to the full length of the filter chamber.

The default preset is for 2.0 – 2.5cm / 0.8 – 1.0”. It is recommended to leave this default setting for the first few days of operation, until the average daily usage settles down to a regular value. Once the daily average is established the mat advance length can be customized to give the desired frequency of advances.

To customize the Mat advance length: *Homepage>settings page>more settings>Mat advance*. Remember to press the “Save” button to implement your changes.

Scheduled Advance

The scheduled advance feature enables you to preset a long fleece-mat advance at a specific time every day. For example, if the average daily usage is 36cm and you set a scheduled advance of 12cm you can assume that the ReefMat will not need to advance the fleece-mat again for about 8 hours. This is useful if you want to ensure a specific period without any noise, such as during the night for a tank located in a bedroom. This feature is only available once the daily average has been established. To activate the Scheduled Advance: *Homepage>settings page>more settings>Scheduled advance*. Remember to press the “Save” button to implement your changes.

End of Roll monitor

The end of roll monitor lets you know a preset number of days before the roll is due to run out, based on the daily average consumption. The default value is set at 5 days. This can be changed from: *Homepage>settings page>more settings>End of Roll monitor*. Remember to press the “Save” button to implement your changes.

Editing ReefMat Drive-unit position

If during initial setup of the ReefMat the wrong position of the Drive-unit was selected, this setting can be changed from *Homepage>settings page>more settings>Drive-unit position*. Remember to press the “Save” button to implement your changes.

Clear settings

To permanently remove all user settings from the memory of the ReefMat and return it to its initial default state, perform the following steps.

If the device is connected to the ReefBeat, trigger the hard-reset option from the Device-Manager: ***Device Manager>Hard-Reset***

If the device is not connected to the ReefBeat, press the Settings button for about 15 seconds (until the Wi-Fi indicator LED shows a double blink), release the button and wait for about 1 minute for the device to reboot.

The unit will restart without any user settings and with the Wi-Fi switched on, exactly as shipped from the factory. The unit will retain the latest installed version of the firmware.

ReefMat Data

The ReefBeat provides a daily and hourly log of fleece mat usage for the previous 30 days (7 days for offline aquariums). The log for the full roll can be exported as a .csv file.

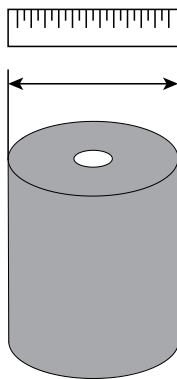
In addition, ReefBeat maintains a roll log history showing the number of days previous rolls were used for.

Partial Roll

In the event that you have removed a partially used roll of fleece-mat and wish to use it at a later time you should select the “Partial roll” option when installing it as a new roll.

To get full functionality, it is best to measure the external diameter of the roll before installing it on the dispensing shaft and enter this value in the ReefBeat App.

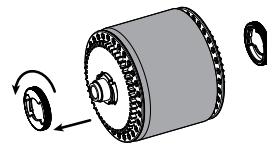
As a guide the diameter of the side disk is 98mm 3.9”.



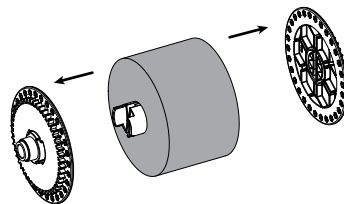
If you choose not to enter the diameter, the ReefMat will continue filtering the aquarium correctly however the system will not be able to monitor the exact usage and the end-of-roll notification will be disabled.

Removing used fleece-mat from the Take-up shaft

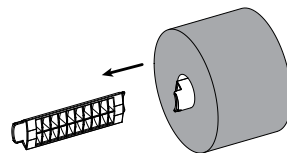
Remove the retaining nuts by rotating counter-clockwise.



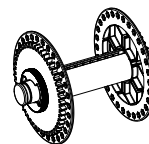
Remove the side disks by pushing the 2 halves of the shaft through the disk.



Slide the 2 halves of the shaft out from the used fleece-mat, one at a time.



Reassemble the take-up shaft ready for next use.



Device Maintenance

Drive-unit

For continued smooth running of the Drive-unit, we recommended making sure that it is kept clean, dry and free of any buildup of salt deposits on a regular basis.

The unit is not waterproof. Do not submerge in water or other solutions. Do not open, there are no user serviceable parts inside the Drive-unit.

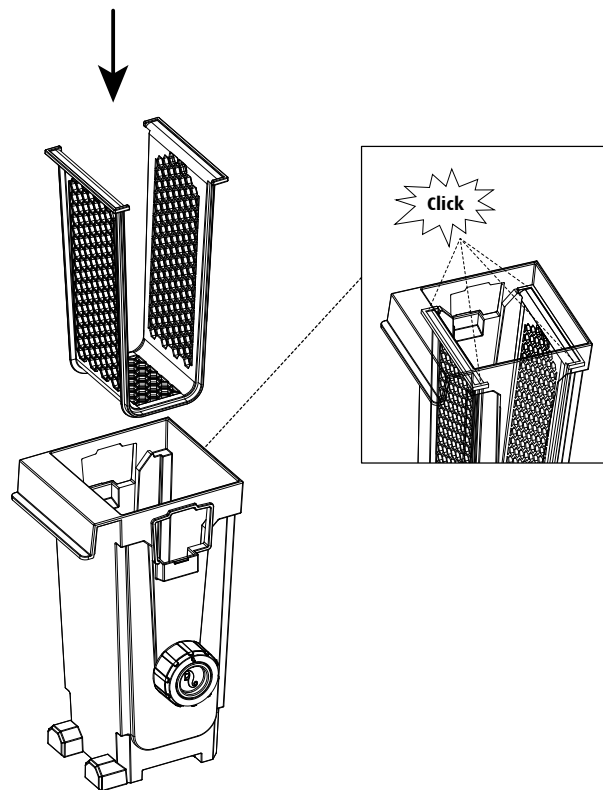
Water level sensor

We recommended making sure that the sensor is kept free of any buildup of algae growth or salt deposits on a regular basis. The sensor is waterproof and can be safely washed under running water. The titanium tips can be brushed to remove any hard deposits.

Filter chamber components

It is recommended to rinse the mat-retainer and filter grid each time the fleece-mat is replaced to prevent the buildup of bacteria, algae or marine fauna that could cause blockages or tears.

Note: after assembling the grid, secure it by pressing the top edges against the body.



Troubleshooting

A full and up to date FAQ for the ReefMat and the ReefBeat app is available in the app (*Homepage Main Menu> Help> FAQ*) and on our website.

Q. I am having trouble installing the ReefBeat App or it crashes or does not seem to be working as described in the manual.

A. Check that your specific mobile device is on the list of supported devices on our website.

Q. My mobile is on the list of supported devices but keeps crashing.

A. Uninstall and reinstall the app and sign in again with your username and password. If this does not help, contact customer support.

Q. I'm having difficulty connecting the ReefMat to my home network.

A. Check that the ReefMat Wi-Fi is working correctly by using the "Offline Direct Mode" option. If it does, try connecting to the hot-spot of a mobile phone in the same room: *Device Manager> Device Line menu> About > Connect*.

If neither of these options work, contact customer support. If they do work, the problem is likely with the router signal strength or its configuration, or it may be overloaded with devices.

- Check that the signal strength of your router is sufficient for a stable connection exactly where the ReefMat is located. You may need to install a suitable Wi-Fi extender closer to the aquarium.
- The router may have too many devices already connected to it.
- Your router may be configured not to allow devices like the ReefMat to be connected. This situation is common in an office environment- contact your IT professional.

Q. I keep getting notifications that my ReefMat is not connected.

A. If your network router is not permanently connected to the internet, set your Aquarium as "Offline" *My Aquariums> Device Line Menu> Offline*. If your network router is meant to be permanently connected, check the quality of the Wi-Fi connection between the ReefMat and your router or the stability of your internet connection.

Q. I have just set up the ReefMat for the first time or just re-onboarded it to the ReefBeat App and the Wind/Unwind buttons on the drive-unit seem to be working in the opposite direction.

A. Check that the Left/Right setting for the drive unit is correct. The wrong setting will cause the take-up shaft to rotate in the opposite direction. If not corrected the first manual or auto-advance will stop the unit from working and you will receive the "Jammed-Mat" notification. To check/reset the drive unit position: *Homepage>settings page>more settings>Drive-unit position*.

Q. Water is flowing out the top of the filter chamber and the fleece-mat is not advancing

A. Please check the following:

- The ReefMat sensor is correctly installed in its operating position on the filter chamber.
- The titanium pins on the bottom of the ReefMat sensor are clean and free of any obstruction of organic/mineral build-up.
- The Auto-Advance in the ReefBeat App settings page has been switched on and you pressed the save button at the top of the page.
- You have a saltwater system. The ReefMat sensor will not detect freshwater or low salinity brackish water.

- Q.** The water level inside the filter chamber does not seem to be rising and the fleece-mat is not advancing.
- A.** If this is a newly installed unit, it could take about a day for the initial fleece-mat lining the filter chamber to get blocked enough to cause an advance. In an established system check that the Mat-Advance-length setting is at a reasonable length to cause regular advances in the time frame you are expecting. Also check that that a long “Scheduled-Advance” is not implemented. If all of the settings are correct check for one the following issues that is causing the water to completely or partially bypass the fleece-mat:
- The inlet hose is not firmly connected to the inlet port or is missing the silicone seal.
 - The inlet port plug is not correctly sealing the unused inlet port.
 - The mat-retainer is not seated correctly inside the filter chamber.
 - The fleece-mat inside the filter chamber has been perforated or twisted.

Warranty

Red Sea Products Limited Warranty.

The limited warranty sets forth all of **Red Sea Aquatics Ltd (Red Sea)** responsibilities regarding this product. There are no other express or implied warranties from Red Sea.

Red Sea warrants your product against defects in materials and workmanship for a period of 24 months, valid from the date of original purchase and will repair this product free of charge (not including shipping costs) with new/rebuilt parts. The precondition for the warranty is that the stipulated set-up routine is observed. In the event that a problem develops with this product during or after the warranty period, contact your local dealer or Red Sea (at the company address indicated) for details of your nearest authorized service center.

The warranty is extended only to the original purchaser. Proof of date of purchase will be required before warranty performance is rendered. This warranty only covers failures due to defects in materials or workmanship which occur during normal use. It does not cover damage which occurs during shipment or failures which result from misuse, abuse, neglect, improper installation, operation, mishandling, misapplication, alteration, modification or service by anyone other than an authorized Red Sea service center. Red Sea shall not be liable for incidental or consequential damages resulting from the use of this product, or arising out of any breach of this warranty. All express and implied warranties, including the warranties of saleability and fitness for particular purpose, are limited to the applicable warranty period set forth above.

These statements do not affect the statutory rights of the consumer.

USA

Some states do not allow the exclusion or limitation of incidental or consequential damages, or limitations on how long an implied warranty lasts, so the above exclusion or limitations may not apply.

FCC Compliance Statement:

This device complies with part 15 of the FCC rules. Operation is subject to the following two conditions: (1) This device may not cause harmful interference, and (2) this device must accept any interference received including interference that may cause undesired operation. Any changes or modifications not expressly approved by Red Sea could void the user's authority to operate the RF Module and/or the product that incorporates the RF Module. The user is cautioned to maintain a 20 cm (8 inch) spacing from the product to ensure compliance with FCC regulations.

CE Declaration of Conformity:

The equipment complies with the RF Exposure Requirement 2014/53/EU, Council Recommendation on the limitation of exposure of the general public to electromagnetic fields (0-300 GHz). This equipment meets the following conformance standards: EN 300 328, EN 301 489-17.



DISPOSAL: Do not dispose this product as unsorted municipal waste. Collection of such waste separately for special treatment is necessary.

This product must not be disposed together with the domestic waste. This product has to be disposed at an authorized place for recycling of electrical and electronic appliances.

By collecting and recycling waste, you help save natural resources, and make sure the product is disposed in an environmental friendly and healthy way.

Red Sea Aquatics (GZ) Ltd.
Block 2-4, No.168, West Yingbin
Road,Xinhua Industrial Park,
Huadu District, Guangzhou City,
China, Postal code 510812.

ReefMat® 250

スマート - プラグ&プレイ® - 高効率

ユーザーマニュアル

 Red Sea

目次

はじめに.....	35
ReefMat内容物.....	36
安全についての注意事項.....	37
概要.....	38
ReefMat スマート・フリースマットローラーフィルターの特徴.....	38
静的メカニカルフィルターに対するローラーフィルターの利点.....	39
ReefMatローラーフィルターを取り付ける前の準備.....	39
ReefMatの設置.....	42
LEDインジケーター.....	46
設定ボタン - 機能.....	47
巻き取り/巻き戻しボタン.....	47
接続と初期設定.....	48
新しいフリースマットロールの取り付け.....	48
新しいフリースマットロールの有効化.....	52
操作.....	52
その他の設定.....	54
ReefMatデータ.....	55
部分使用ロール.....	55
使用済みのフリースマットの巻き取りシャフトからの取り外し.....	56
デバイスのメンテナンス.....	57
トラブルシューティング.....	58
製品保証.....	60

はじめに

レッドシーのReefMat®（リーフマット）のご購入ありがとうございました。

ReefMatは、プラグ&プレイで簡単に設置ができ、完全に自動化されたスマートなフリース・ローラーフィルターです。継続的に数週間も、水槽水をクリスタルクリアーに保ちます。愛好家のニーズを念頭に設計されたReefMatは、簡単なフリースマット交換システムを備えており、サンプから本体を取り外したり、ポンプをオフにしたりすることなく、ローラーを交換することができます。

ReefMatには、使用されるフリースマットの正確な長さを制御および監視し、その他の多くの独自機能を使用するためのスマートドライブユニットが装備されています。

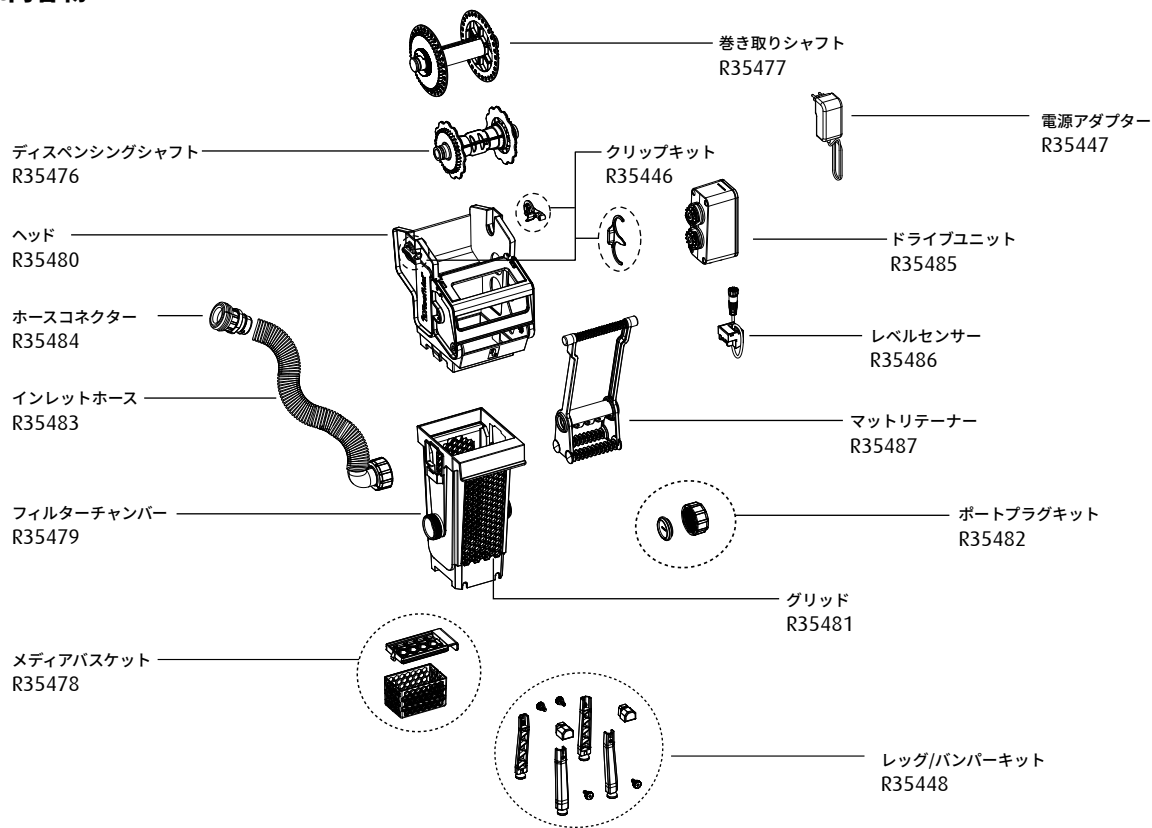
ReefMatは、レッドシーのReefBeat®アプリによりWi-Fi経由で操作できる、レッドシー・スマートデバイスシリーズの一員です。このアプリは、インターネットに接続できるスマートモバイルデバイスにインストールする必要があります。

レッドシーのスマート・リーフキーピングによるこそ。

日頃のご愛顧、誠にありがとうございます。

Red Seaチーム一同

ReefMat内容物



安全についての注意事項

以下の安全についての注意をよく読み、遵守してください。

本製品は、家庭および屋内でのみ使用ください。

危険: 感電の危険を避けるため、水を張った水槽でのお取り扱いに特にご注意ください。万一、器具の修理等の必要が生じた場合は、ご自身で行うことは避け、お買い求めの販売店または弊社までご連絡ください。

警告: 使用上における怪我等を避けるため、次の事項をはじめとする以下の基本的な安全に関する注意事項を遵守してください。

コードまたはプラグが破損した場合、または正常に動作しない場合、あるいは落としたり何らかの形で損傷したりした場合は装置を動作させないでください。

子供など取り扱いに不慣れな方、介助を必要とする方だけでご使用にならないでください。この器具は、安全に関する経験や知識が少ない方の使用は想定しておりません。経験と知識が不足している場合は、器具の安全な使用に関しての指導、監督を受けることをお勧めします。お子様、乳幼児、取り扱いに不慣れな方が近くにいるときは、必ず操作できる大人が付き添ってください。また、使用の際に、危険があることもご理解ください。子供は器具で遊んではいけません。乳幼児の手の届くところで使用しないでください。清掃およびメンテナンスは、成人の監督なしに子供が行うことはできません。

器具には、付属の電源ユニットでのみ使用してください。

お子様の横で器具をご使用になる場合、またはお子様が近くにいる場合は目を離さないようご注意ください。

ケガをしないよう、作動中の部品には触らないでください。

使用していない器具の場合、または部品の脱着および清掃の際には、必ずコンセントから器具の電源コードを抜いてください。プラグをコンセントから抜く際は、コ

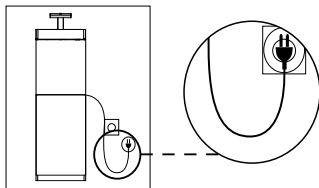


Figure 1: ドリップループ

ードを引っ張らず、必ずプラグを持って引き抜いてください。

正規用途以外に器具を使用しないでください。弊社が推奨または販売していない付属品の使用は、危険を招く原因となります場合があります。

外気に直接触れる場所や氷点下になる場所への器具の設置、保管は避けてください。

器具がしっかりと取り付けられているか、使用前にご確認ください。

すべての重要なお知らせをよく読み、順守してください。

注意: 機器の容量を下回るアンペアやワット数の延長コードを使用するとオーバーヒートの原因となります。誤って引っ張ったり、引っ掛かったりしないようにコードの配置に注意してください。

電源コードに損傷があった場合は、使用しないでください。万一、器具の修理等の必要が生じた場合は、ご自身で行うことは避け、お買い求めの販売店または弊社までご連絡ください。

仕様:

動作環境温度：5°C～45°C

動作環境湿度：15～85%RH

供給電圧：100-240V 50/60Hz

定格：1A（最大10Wあたり）

動作電圧：DC 12V

動作周波数：2402～2480 MHz

最大出力：32.43mW

概要

ReefMatは、素材の網目よりも大きい粒子を物理的に捕捉するフリースフィルター（フリースマット）に水を通過させることにより、水槽の水から粒子状物質を除去するメカニカルフィルターです。

ReefMatは、水槽下のサンブ内に設置されるように設計されており、直接的に水槽から水を自然落下により供給するか、サンブ内に用意したポンプによって供給します。

ロール状のフリースマットは、フィルターチャンバー内の一連のフィルターグリッドを通過しながら、連続的に供給されます。

ReefMatのフィルターチャンバーは下部が開放しており、フリースマットが新しい場合、チャンバー内の水位はサンブ内の水位と同じになります。フリースマットに老廃物粒子が堆積するにつれて、フィルターチャンバー内の水位はゆっくりと上昇します。

フィルター本体の上部近くにある水位センサーが水位の上昇を検出し、設定された段階に達するとフリースマットの自動巻き取りを開始します。そして、事前設定された長さの新しいマットを送り込み、再び水が通過し易くなることにより、チャンバー内の水位が下降します。このプロセスは、ロールの全長にわたって自動的に続行され、ロールを使い切った後は交換する必要があります。

ReefMat スマート・フリースマットローラーフィルターの特徴

愛好家のニーズを念頭に設計されたReefMat®は、簡単なフリースマット交換システムを備えており、サンブから本体を取り外したり、ポンプをオフにしたりすることなく、ロールを交換することができます。

ReefMatには、ソリッドステート・デュアル水位センサーと、使用されるマットの正確な長さを制御および監視する、新開発のスマートドライブユニットが組み込まれています。ReefMatは、レッドシーのReefBeatスマート・アクアリウムエコシステムにWi-Fi接続するので、ロール交換が必要なタイミングを事前にお知らせし、何か注意が必要な場合にも通知を行います。システムは、毎日および毎時の使用履歴を記録し提供します。よって、現在のロールのパフォーマンスを監視することが可能です。また、過去に使用したロールを再調査することもできます。

特許出願中のドライブユニットは、未使用ロールのディスプレイングシャフトの回転を記録しながら、使用済みロールの巻き取りシャフトを駆動します。この仕組みにより、ユニットはフリースマットの詰まりや破れを識別し、直ちにモーターを停止することが可能となります。また、同時にReefBeatアプリに通知を送信します。

デュアル水位センサーはフィルターチャンバーの上部に取り付けられており、1つはチャンバーの内側に、もう1つは外側にあります。内側のセンサーはReefMatの通常の操作作用であり、外側のセンサーはサンブが高水位であるかどうかを検出し（メイン循環ポンプがオフの場合など）、新しいフリースマットの無駄な巻き取りを防ぎます。

ReefMatの排水口に組み込まれているメディアバスケットは、既にろ過された水だけが流れ落ちるので、すべてのろ過材のパフォーマンスを向上させます。

静的メカニカルフィルターに対するローラーフィルターの利点

ミクロンソックス、フロス、スポンジパッドなどの据え置き型物理ろ過フィルターは、老廃物の粒子を上手く捕捉しますが、取り外して洗浄するまでは捕捉された粒子が水中に残り、徐々に分解しながら栄養塩（硝酸塩とリン酸塩）をシステムに追加していきます。適正なローラーフィルターを使用すると、収集されたすべての粒子が約1日以内に物理的に水中から除去され、分解量が大幅に減少します。既に立ち上がった水槽では、ReefMatの効果と内蔵メディアバスケットでカーボンを併用することにより、設置直後からでも栄養塩濃度の低下が実感できます。

レッドシー・システムでの使用

ReefMatをRedSea REEFERまたはMAXアクアリウムシステムに設置する場合は、次のWebサイトで推奨される設置オプションを確認してください：

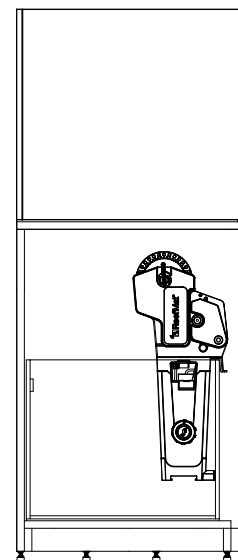
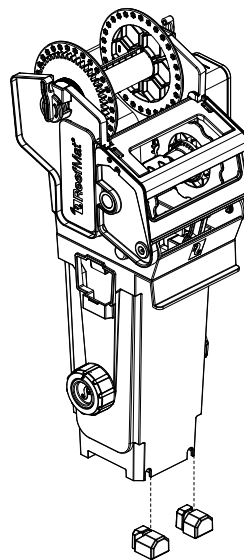
<https://www.redseafish.com/reefmat-installation-options>



ReefMatローラーフィルターを取り付ける前の準備

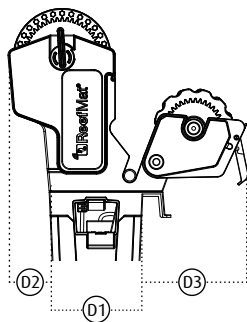
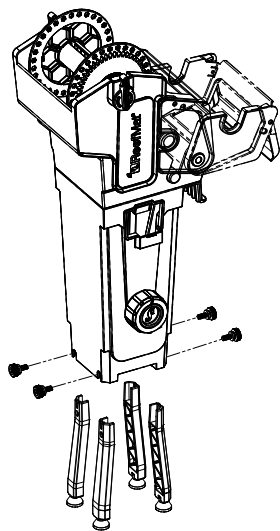
ハングオンでの設置

メンテナンスを容易にするために、サンプルの正面ガラスにReefMatを引っ掛けて設置することをお勧めします。この取り付けでは、フィルターチャンパーの前面下部にゴム製スペーサーを装着します。



自立での設置

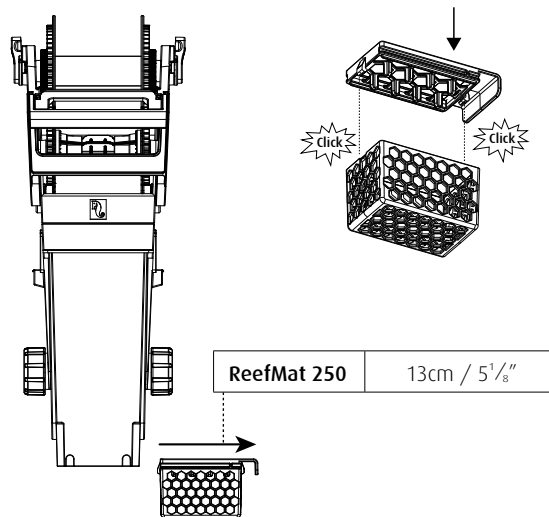
フィルターチャンバーの底に4本のレッグを取り付けます。フロントフラップを完全に開けられるよう、ReefMatの前に十分なスペースを確保してください。



	ReefMat 250
D1	11.5cm / 4 ¹⁷ / ₃₂ "
D2	5cm / 1 ³¹ / ₃₂ "
D3	13cm / 5 ¹ / ₈ "

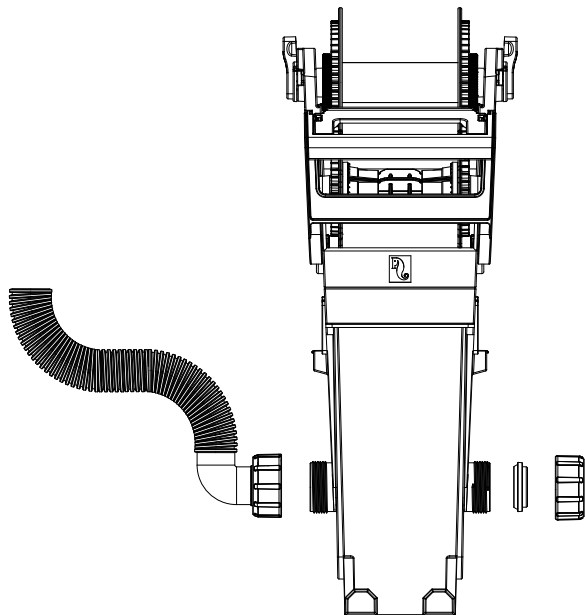
メディアバスケット

メディアバスケットを使用する場合は、フィルターチャンバーの片側からバスケットを引き出すのに十分なスペースを確保してください。

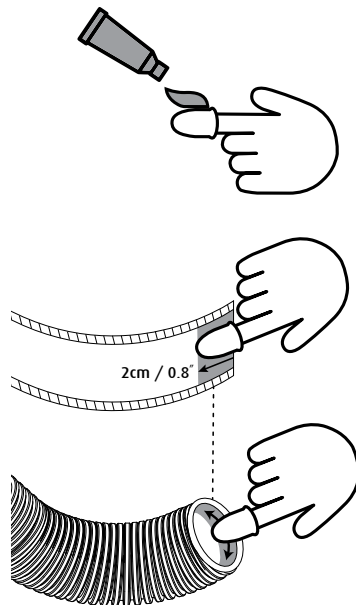


インレットホース

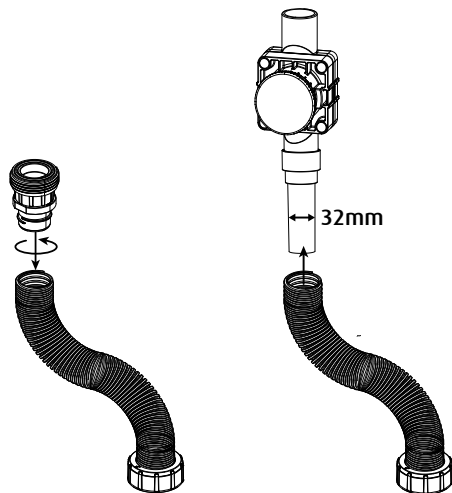
ねじれに強い波形のインレットホースには、フィルターチャンバーの両側にあるインレットポートのどちらかに接続できるよう、コネクタが付属しています。



ホースの端を設置に応じて必要な長さにカットします。付属のフィンガーカバーを使用して、ホースの内側の端から約2cmほど少量の液体シーラント（シリコン接着剤など）を塗り広げ、ホースコネクタをきつく固定するまでねじ込みます。その後、ホースの内側から余分なシーラントを取り除いてください。



注: この部品には左ねじがありますので、締める方向にご注意ください。ユニバーサルコネクタの反対側は、標準の32mmのPVC管に接着できます。

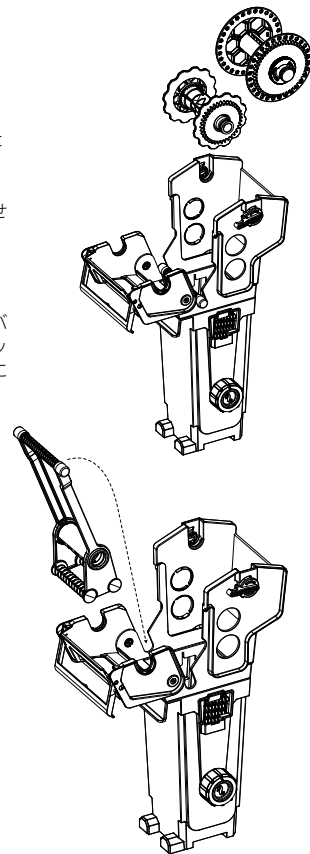


波形ホースの切りっぱなしの方の端は、ほとんどのRed Sea Reeferシステムシリーズで使用されている外径32mmのPVC配管に直接取り付けすることもできます。この接合部には水圧がかかりませんが、液体シーラントを使用し、固定バンドなどで波形ホースを所定の位置に固定することをお勧めします。

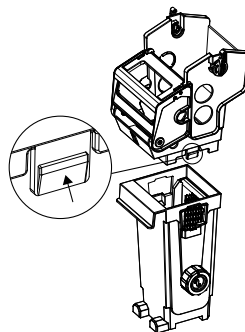
ReefMatの設置

巻き取りシャフトロックを開位置まで回転させ、巻き取りシャフトをReefMatヘッドから取り外します。ハンドルを上げて前面フラップのロックを解除し、フラップを水平位置まで前方に回転させて、ディスペンシングシャフトを取り外します。

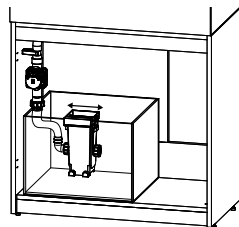
マトリテナーをフィルターチャンバーから引き上げて取り出します。フラップを閉じ、ハンドルを下げて元の位置にロックします。



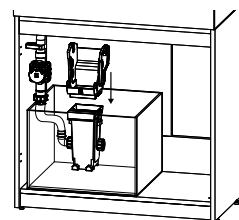
サイドラッチを押しながらReefMatヘッドを持ち上げ、フィルターチャンバーから取り外します。



フィルターチャンバーをサンプ内の任意の場所に配置し、インレットホースをフィルターチャンバーの左側または右側のインレットポートに接続します。



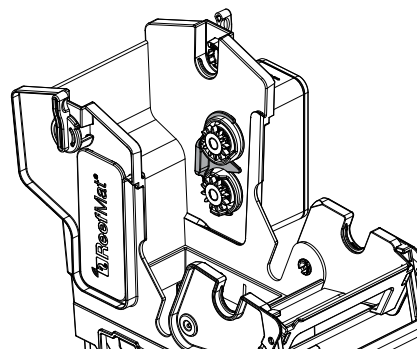
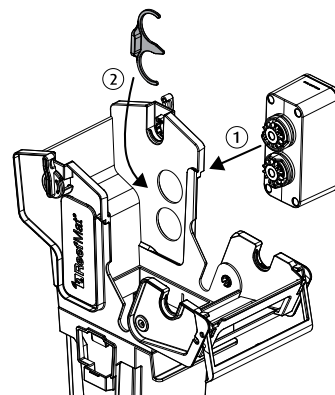
フロントとリアのフィルターグリッドがチャンバー内の所定の位置にあることを確認し、ReefMatヘッドユニットをカチッとなるまで押して所定の位置に固定します。



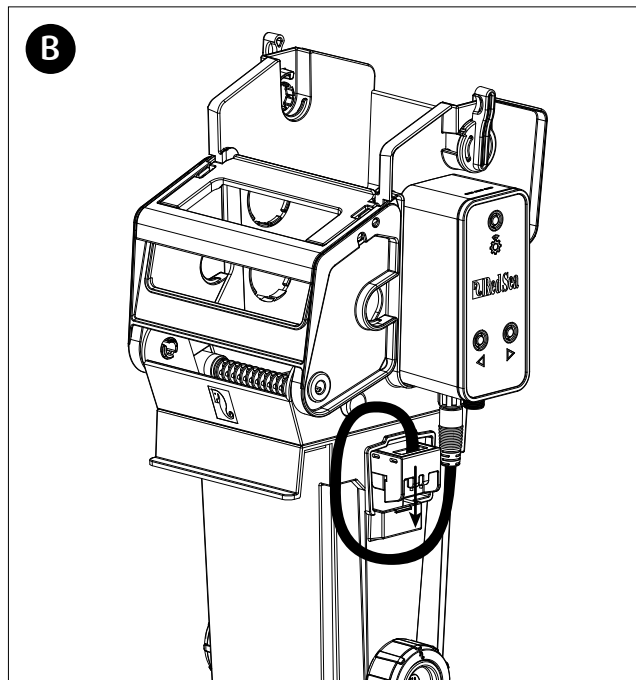
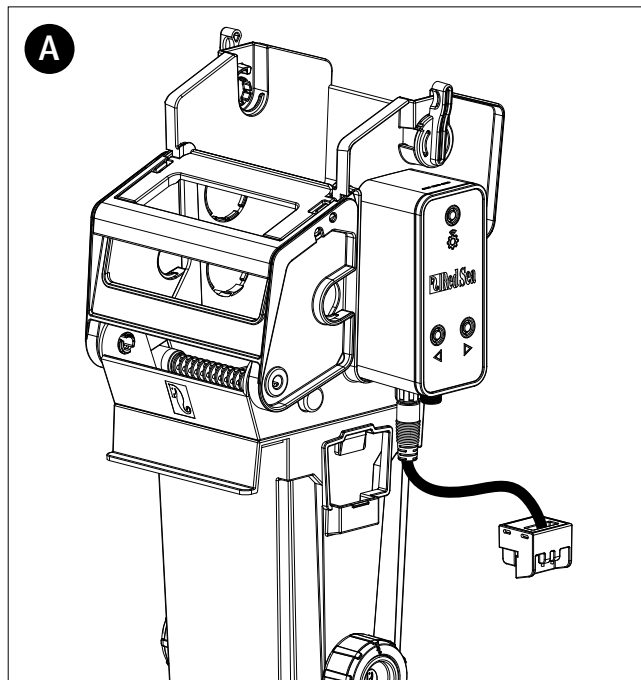
DCアダプターのプラグをドライブユニットの背面にある2ピンの電源ソケットに接続します。

レベルセンサーをドライブユニットの背面にある4ピンのソケットに接続します。

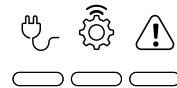
ドライブユニットをReefMatヘッドの右側または左側に取り付け、付属のクリップで所定の位置に固定します。ドライブユニットの横に、Wi-Fi設定および巻き取り/巻き戻しボタンを操作するのに十分なスペースがあることを確認してください。



レベルセンサーをフィルターチャンバーの所定位置に取り付けます。



LEDインジケータ



JP

アダプターの電源コードをキャビネットの背面から引き出し、壁のコンセントまたはその他の適切な電源タップに挿入します。ドライブユニットの前面にあるインジケータLEDが点灯していることを確認します。

ドライブユニットをReefBeatアプリに接続し、フリースマットを取り付ける前に初期設定を完了させます。



電源インジケータ:

- 赤色の点灯 - DC電源が供給されています。
- 赤色の消灯 - DC電源が供給されていません。



設定インジケータ:

- 赤色の点灯 - ReefMatはホームネットワークに接続されています。
- 赤色の点滅 - ReefMatはWi-Fiアクセスポイント (AP) モードとなっています (Wi-Fiデバイスで検出できます)。
- 赤色の消灯 - ReefMatWi-Fiがオフになっています。
- 2回点滅 - ステータスの変更/プロセスの終了を示しています。



ステータスインジケータ:

- 消灯 - ReefMatは正常に動作しています。
- 赤色の点滅 - 次のいずれかの条件で自動巻き取りモードが一時停止されたことを示します: 高水位、レベルセンサーの未接続、マットの詰まり、ロールの終了。巻き取り/巻き戻しボタンを同時に押すと、ReefMatが自動巻き取りモードにリセットされます。

設定ボタン - 機能

インジケータLEDがオフの場合（REEFMATのWi-Fiがオフ）：ボタンを5秒間（2回点滅するまで）長押しすると、Wi-Fi APモードが有効になります。

インジケータLEDが点滅している場合（REEFMATのWi-FiがAPモード）：ボタンを5秒間（2回点滅するまで）長押しすると、Wi-Fiがオフになります。

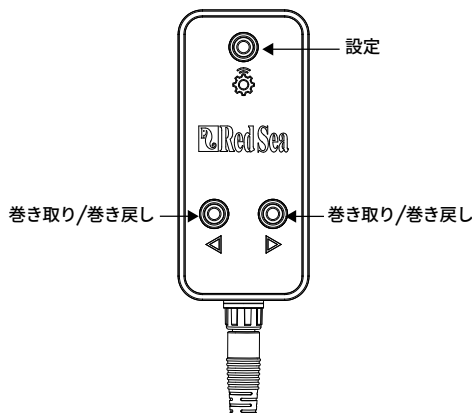
インジケータLEDが点灯している場合（REEFMATのWi-FiがWi-Fiネットワークに接続中）：ボタンを5秒間（2回点滅するまで）長押しすると、ReefMatがネットワークから切断され、Wi-Fi APモードに切り替わります。（注：ReefMatをネットワークから切断する前に、ReefBeatアプリのデバイスマネージャーからReefMatを削除してください。）注：すべての設定は保持されており、ReefBeatに再接続すると復元できます。

設定のクリア：ボタンを15秒間（素早く点滅するまで）長押しすると、すべてのユーザー設定が削除され、Wi-Fiがオフになります。DC電源を切断した後、再接続することでリセットプロセスを完了します。

巻き取り/巻き戻しボタン

巻き取りボタン(<)を押すと、ディスペンスロールからマットが巻き取りロールに巻き取られます。巻き戻し(>)ボタンを押すと、使用済みのマットが巻き取りロールから送り戻されますが、ディスペンスロールに自動的に巻き取られることはありません。この操作の主な目的は巻き取りロールの張力を緩めて、ロールを取り外し易くするためです。

注：ドライブユニットの左右の取り付け位置を選択すると、巻き取り/巻き戻しボタンの回転方向が設定されます。デフォルトでは右側に取り付ける設定になっており、ReefBeatに接続する前でも、右用にボタンが機能します。左側に取り付ける場合、ReefBeatに接続し設定するまで、ボタンは反対方向に機能します。



接続と初期設定

スマートモバイルデバイス(SMD)に応じて、App StoreまたはGooglePlayからReefBeatアプリをダウンロードしインストールしてください。これが初めてのReefBeatデバイスである場合は、アカウントを設定し、水槽の詳細を登録する必要があります。インターネットへの常時接続ができない場合は、水槽を「オフライン」に設定してください。設定ボタンを5秒間(2回点滅するまで)長押しして、ReefMatをAPモードにします。インジケータLEDが点滅しているのを確かめください。デバイスマネージャーのページからデバイスの追加ボタン(+)をタップし、機種を選択してアプリの指示に従います。SMDのWi-Fi設定画面に切り替え、リストからデバイスのIDを選択し、パスワードとなる「password」を入力してください。リストにデバイスが表示されない場合は、ReefMatがAPモードになっていることを確認し、ページを更新してください。

ReefBeatアプリの接続過程では、水槽の設置場所からReefMatで利用できるWi-Fiネットワークと信号強度のリストが表示されます。ご希望のネットワークを選択し、パスワード(ルーターの)を入力したらReefMatが接続するまでしばらく待ちます。接続が完了すると接続インジケータLEDが赤く点灯します。初期設定については、アプリの指示に従ってください。

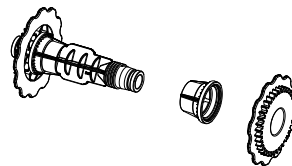
水槽をオフラインに設定している場合は、画面上部に表示される「ダイレクトモード」オプションを選択してネットワーク接続をスキップします。この際、ReefMat Wi-FiがAPモードのままであるため、インジケータLEDは点滅し続けます。

ReefMatをReefBeatアプリとクラウドに接続するには、アプリの指示に従います。次に、接続するReefMatモデル(250、500または1200)を選択し、ReefMatのどちら側(左または右)にドライブユニットを取り付けるかを選択します。警告通知が発信されないよう、フリースマットロールを実際に取り付けた後に、再びアプリに戻ってロールの取り付け確認を行うことをお勧めします。

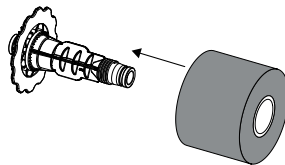
新しいフリースマットロールの取り付け

すべての梱包材を取り除き、下図のように新しいマットをディスペンシングシャフトに取り付けます。

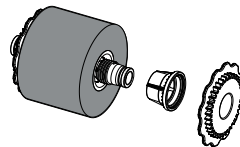
シャフトを分解します。



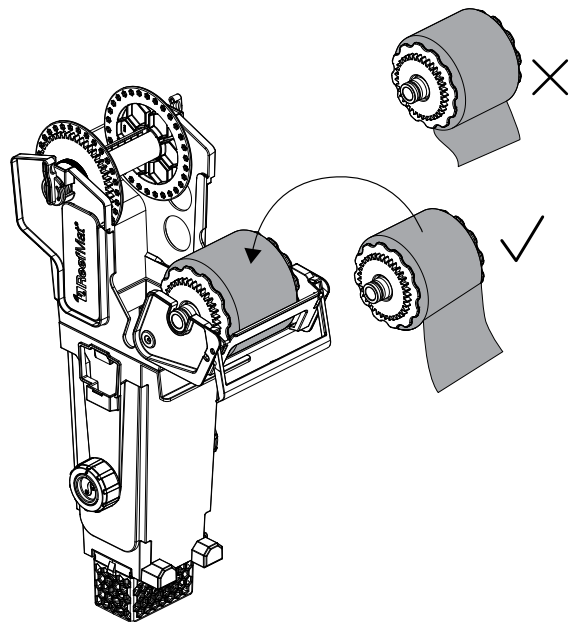
新しいロールのボール紙の芯にシャフトを挿入します。



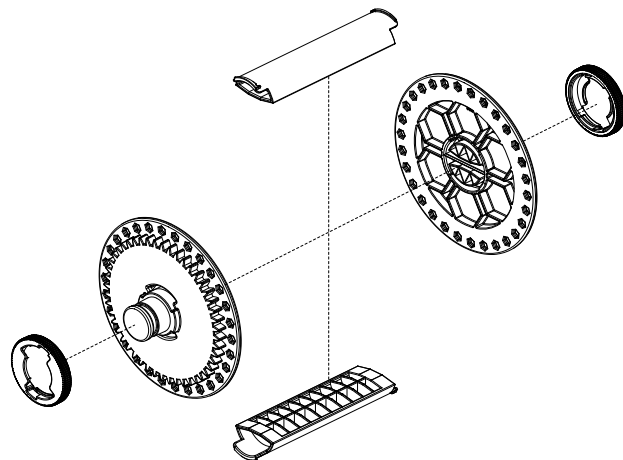
チャック(固定パーツ)をシャフトに挿入し、サイドプレートを所定の位置にしっかりとねじ込みます。



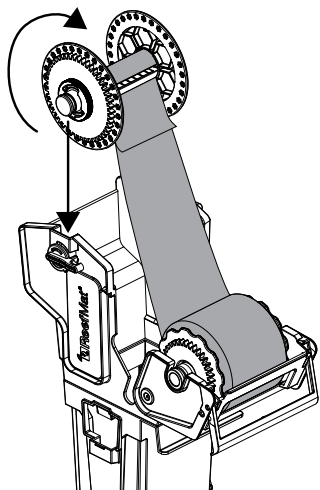
フラップを開き、ディスペンシングシャフトをフラップのくぼみに配置します。この時、マットの端は外側に垂れ下がった状態となります。



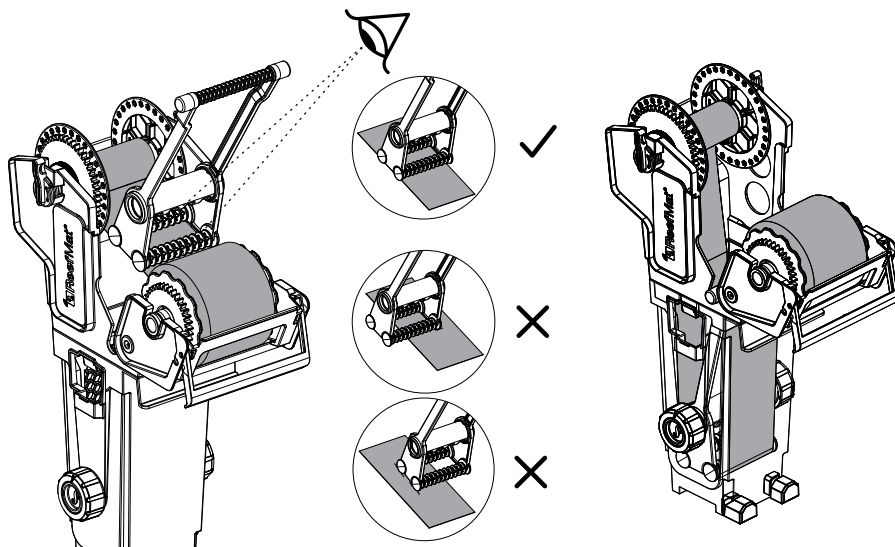
注意:巻き取りシャフトを分解して組み立て直し、構造と仕組みを理解してください。これにより、最初の使用済みのロールの交換が簡単かつスムーズに行えます。



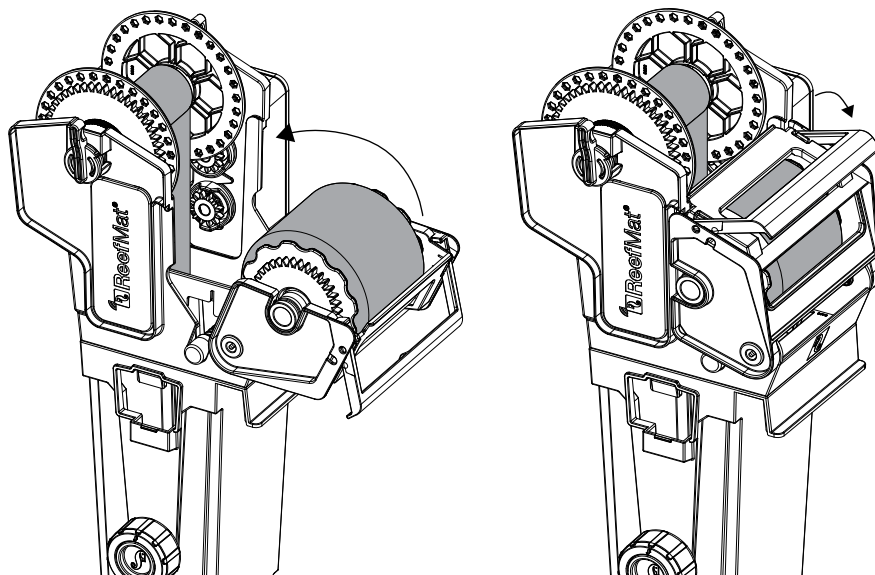
フリースマットの端を巻き取りシャフトの溝に通し、シャフトを前方に数回転させて（マットがシャフトの奥側から巻き上がるように）、しっかりと巻き付けます。シャフトをヘッド内の操作位置に置き、シャフトのギアがドライブユニットのギアと噛み合うように少し回転させます。サイドロックを閉じて、シャフトを所定の位置に固定します。



ゴム製リングがリテーナーの両側に取り付けられていることを確認したら、ローラーをフリースマットの幅側にぴったりと合わせます。リテーナーをゆっくりとチャンバーの底に当たるまで押し下げ、リテーナーハンドルを元のヘッドの凹みに戻します。リテーナーを下げる時、巻き取りシャフトは自由に回転できないため、マットは新しいロールから自然に引っ張り出されます。



フラップを起こして元に戻し、ハンドルを下げて所定の位置にロックします。送る側のロールを少し回転させ、フリースが張っていることを確認します。または、ドライブユニットの巻取りボタンを押すことで、たるみを取ることもできます。



新しいフリースマットロールの有効化

- アプリを開き、設定ページから「新ロールの取り付け」に移動し、「フルロール」オプションを選択します。これにより、ユニットは通常の動作である「自動巻き取り」モードで有効化されます。ロール丸ごとの取り付けではない場合、後述の「部分使用ロール」の説明を参照してください。
- 新しいロールを取り付けた場合、フィルターチャンバー全体が新しいフリースマットで覆われているため、フリースマットが汚れて詰まり、最初に巻き取られるまで、かなりの時間がかかる場合があります。ReefBeat ホーム画面には、「本日」および「総使用量」カウンターに含まれる使用状況バーに、初期の巻き取り長さ(RM250 – 38cm)が表示されます。
- 新しいロールが正しく取り付けられていることを確認したい場合は、設定ページの「手動巻き取り」オプションを使用して、フリースマットを事前設定されたデフォルトの長さ2 – 2.5cmだけ巻き取ります。

操作

自動巻き取り

ReefMatは、フィルター内の水位が内部水位センサーの高さまで上昇するたびに、フリースマットを事前設定された長さだけ自動的に巻き取るように設計されています。自動巻き取り機能は、必要に応じて次の場所から無効/有効にできます（**ホームページ** > **設定ページ** > **自動巻き取り**）。有効にすると、問題が発生しない限り、自動巻き取り機能はロールの全長にわたって継続します。問題が発生した場合、相応の通知がReefBeatアプリに送信され、ドライブのステータスインジケータLEDが点滅し、ReefMatは問題が解決されるまで待機します。

6時間自動巻き取りが行われなかった場合、ドライブユニットは約0.5cmを巻き取る自動自己診断を実行し、フリースマットが破れているかどうかを検証します。

マットの詰まり

機械的に詰まったことによりフリースマットが巻き取りできない場合や（巻き取りシャフトが動かなくなったり、フリースマットが前進せずにシャフトだけが回転している場合など）、フリースマットが破れてしまった場合には、ドライブユニットはフリースマットの巻き取りを停止し、問題が解決されるまで待機します。また、ドライブユニットのステータスインジケータLEDが点滅します。ReefBeatアプリは通知を受け取り、ホーム画面のステータスには「マットの詰まり」と表示されます。

フリースマットが詰まっている場合では、巻貝などがフリースマットやリテーナのいずれかのローラーに挟まっている可能性があります。詰まりを解決するには、次の手順を実行します；

- 巻き取りロールからフリースマットが約2.5cm送り出されるまで、巻き戻しボタンを押します。
- ディスペンシングロールを手で回転させて、送り出されたフリースマットを巻き取ります。これにより、マツリテナーを取り外すことなく、詰まりの原因となっているものをすべて取り除くことができます。
- フリースマットが約5cm進むまで巻き取りボタンを押します。これでも問題が解決しない場合は、次の手順を実行してください；
 - フロントフラップを開き、ディスペンスロールをヘッドから開いたフラップに移動します。
 - マツリテナーを取り出して、フリースマットから取り外します。
 - マツリテナーを洗浄し、ガイドローラーが自由に回転できることを確認します。
 - マツリテナーをフリースマット取り付け、フィルターチャンバー内の所定の位置にロックします。
 - ディスペンシングロールをヘッドに戻し、フラップを閉じてからディスペンシングロールが回転し始めるまで巻き取りボタンを押します。

フリースマットが進まずに巻き取りシャフトが回転している場合、またはフリースマットが破れている場合は、使用済みのフリースマットを巻き取りシャフトから取り外し、フリースマットを再度挿入します（必要に応じてフリースマットを切り取ってください）。注：使用量カウンターは、巻き取りロールからマットを取り除いても影響を受けないため、そのまま継続されます。

詰まりが解消されたら、「再始動」ボタンを押してReefBeatからユニットを再始動するか、巻き取り/巻き戻しボタンを同時に2秒間押してドライブユニットから直接的に再起動します。

注：マットの詰まり通知がReefMatをReefBeatに接続してから1日以内に発生する場合は、ドライブユニットの取り付け位置の右/左設定が正しいことを確認してください。ドライブユニットの位置設定を間違えると、最初のマット前進が行われると直ぐに「マットの詰まり」状態と検知されます。**ホームページ画面>設定ページ>その他の設定>ドライブユニットの位置**からご確認できます。

ロールの終了

ロールが終了すると、ドライブユニットはフリースマットの巻き取りを停止し、新しいロールが取り付けられるのを待機します。また、ドライブユニットのステータスインジケータ-LEDが点滅します。ReefBeatアプリは通知とステータスを受け取り、ホーム画面には「ロールの終了」と表示されます。

新しいロールが取り付けられたら、ReefBeatアプリを開き、設定ページから「新ロールの取り付け」を選択します。新しいロールではなく、部分的に使用されたロールを取り付ける場合は、後述の手順を参照してください（部分使用ロールの項を参照）。

レベルセンサーの未接続

レベルセンサーがドライブユニットに接続されていない場合、ReefMatは機能しません。また、ドライブユニットのステータスインジケータ-LEDが点滅します。ReefBeatアプリは通知を受け取り、ホーム画面のステータスには「センサー未接続」と表示されます。

センサーが接続されると、ドライブユニットは自動的に自動巻き取りに戻ります。

高水位

サンプ内の水位がReefMatフィルターチャンバー内の作動水位まで上昇すると（メイン循環ポンプがオフになっている場合など）、ドライブユニットはサンプの水位が低下するまで（メイン循環ポンプが再びオンになったときなど）、フリースマットの巻き取りを停止します。高水位状態が検出されている間、ステータスインジケータ-LEDが点滅し、ReefBeatアプリのステータスが「高水位」と表示されます。

その他の設定

手動操作

フリースマットは、ドライブユニットの側面にある「巻き取り」ボタンを押すことで手動でも巻き取ることができます。巻き取られるフリースマットの長さは、ボタンを押した時間に応じて異なりますが、実際の長さは記録され、時間毎の巻き取りログに反映されます。

ヘッド設定ページから手動巻き取りオプションを選択することにより、事前設定した自動巻き取りと同じ長さの手動巻き取りをいつでも行うことができます。(ホーム画面>設定ページ>手動巻き取り) これは、ユニットが適切に機能していることを確認するためのテストとしても使用できます。

マットの巻き取り (長さ)

ドライブユニットでは、フリースマットを最小0.5cm/1.0cm から最大フィルターチャンバーの全長まで、1回の自動巻き取りする長さを設定できます。

デフォルトの設定は2.0/2.5cmとなっています。1日の平均使用量が通常の値に落ち着くまで、設置して最初の数日間はこのデフォルト設定のままにしておくことをお勧めします。1日の平均が確立されると、マットの巻き取りの長さをカスタマイズして、巻き取りの頻度をお好みに調整することができます。

マットの巻き取りの長さをカスタマイズするには：ホーム画面>設定ページ>その他の設定>マットの巻き取りから行ってください。変更を実装するには、必ず「保存」ボタンを押してください。

予約巻き取り

事前スケジュール機能を使用すると、毎日任意の時間にフリースマットの巻き取りを前もって予約できます。たとえば、1日の平均使用量が36cmで、予約巻き取りを12cmに設定した場合、ReefMatは約8時間フリースマットを再び巻き取ることがないようにできます。これは水槽のある寝室の夜間など、動作音の無い特定の期間を確保したい場合に便利です。この機能は、1日の平均が確立された後のみ使用できます。予約巻き取りを有効化するには：ホーム画面>設定ページ>その他の設定>予約巻き取りから行ってください。変更を実装するには、必ず「保存」ボタンを押してください。

ロール終了モニター

ロール終了モニターは、1日の平均消費量に基づいて、事前設定されたロールがなくなるまでの日数を通知します。デフォルトは5日に設定されています。これは、ホーム画面>設定ページ>その他の設定>ロール終了モニターから変更できます。変更を実装するには、必ず「保存」ボタンを押してください。

ReefMatモデルとドライブユニットポジションの編集

ReefMatの初期セットアップまたはフリースマットの取り付け中に間違ったモデルおよびマットを選択しまった場合、これらの設定は、ホーム画面>設定ページ>その他の設定>ドライブユニットポジションまたはモデルの変更から変更できます。変更を実行するには、必ず「保存」ボタンを押してください。

ReefMatデータ

設定の消去

ReefMatの内部メモリからすべてのユーザー設定を完全に削除し、初期のデフォルト状態に戻すには、次の手順を実行します。

デバイスがReefBeatに接続されている場合は、デバイスマネージャーから初期化を行います：**デバイスマネージャー>初期化**

デバイスがReefBeatに接続されていない場合は、設定ボタンを約15秒間長押しし（Wi-FiインジケータLEDが素早く点滅するまで）、ボタンを放してからデバイスが再起動するまで約1分間待ちます。

ユニットは、工場出荷時とまったく同じように、ユーザー設定なしでWi-Fiをオンにして再起動します。ユニットは、インストールされている最新バージョンのファームウェアを保持しています。

ReefBeatは、過去30日間（オフライン水槽の場合は7日間）のフリースマットの日毎および時間毎での使用状況のログを提供します。フルロールのログは、.csvファイルとしてエクスポートできます。

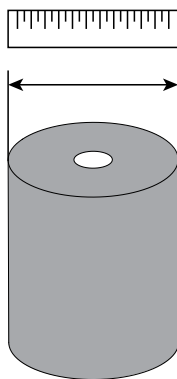
さらに、ReefBeatは、前のロールが使用された日数を示すロールログも保管します。

部分使用ロール

部分的に使用されたフリースマットのロールを取り外して後で使用したい場合は、ロールを取り付けるときに「部分使用ロール」オプションを選択する必要があります。

完全に機能を活用するには、ロールをディスペンシングシャフトに取り付ける前にロールの外径を測定し、この値をReefBeatアプリに入力することをお勧めします。

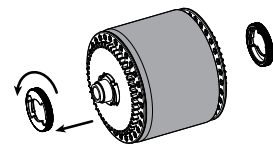
目安として、サイドディスクの直径は98mmとなっています。



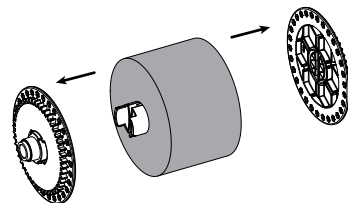
直径を入力しないことを選択した場合、ReefMatは水槽水を正しくろ過し続けますが、システムは正確な使用状況を監視できず、ロール終了通知は無効になります。

使用済みのフリースマットの巻き取りシャフトからの取り外し

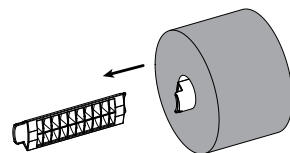
反時計回りに回転させて保持ナットを取り外します。



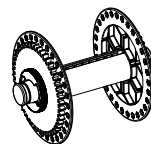
2分割シャフトをディスク方向に押し込んで、サイドディスクを取り外します。



2分割シャフトを使用済みのフリースマットから、1つずつ引き出します。



次の使用に備えて、巻き取りシャフトを再組み立てします。



デバイスのメンテナンス

ドライブユニット

ドライブユニットの円滑な稼働を継続するために、定期的にドライブユニットを清掃して乾燥させ、塩分が堆積しないようにすることをお勧めします。

ドライブユニットは防水ではありません。清掃の際は、水やその他の液体に浸さないでください。

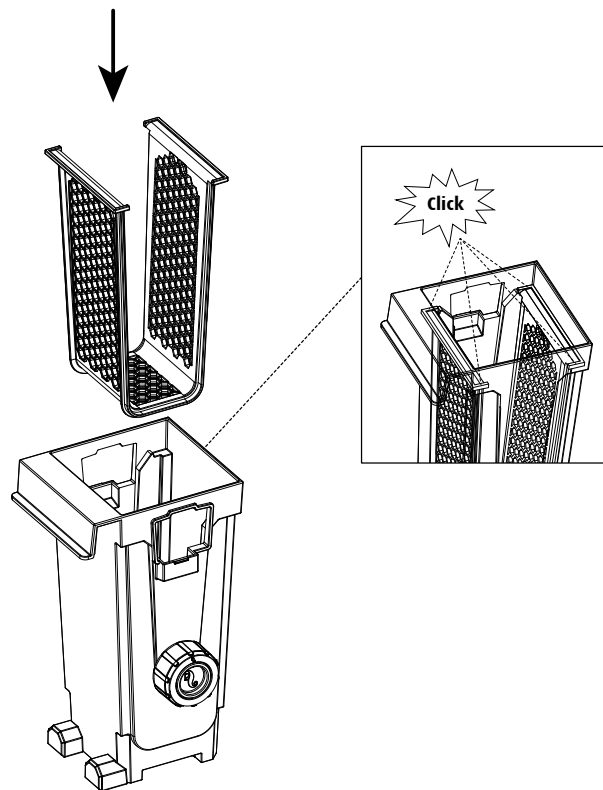
ドライブユニットを開かないでください。ユニット内にユーザーが修理できる部品はありません。

水位センサー

センサーに藻類の付着や塩の固着がないことを定期的にご確認ください。センサーは防水仕様で、流水で安全に洗浄できます。先端のチタンチップは、硬い固着物を取り除く場合にブラシをかけても大丈夫です。

フィルターチャンパーコンポーネント

フリースマットの交換時には、バクテリアや藻類、生物の蓄積を防ぐため、マトリテナーとフィルターグリッドを洗浄することをお勧めします。それらは詰まりやマットの破れを引き起こす恐れがあります。



トラブルシューティング

ReefMatおよびReefBeatアプリの詳細かつ最新のFAQは、アプリ（ホーム画面のメインメニュー>ヘルプ>よくある質問）および当社のウェブサイトから入手できます。

- Q.** ReefBeatアプリのインストールに問題があるか、不具合が起きるか、またはマニュアルの説明どおりに動作していないようです。
- A.** ご使用中のモバイル端末が、当社のウェブサイトですべてサポートされているデバイスのリストに載っているかお確かめください。
- Q.** モバイル端末はサポートされているデバイスのリストに含まれていますか、不具合が起きます。
- A.** アプリをアンインストールして再インストールし、ユーザー名とパスワードを使用して再度サインインします。これで解決しない場合は、カスタマーサポートに連絡してください。

Q. ReefMatをホームネットワークに接続するのが困難です。

- A.** 「オフラインダイレクトモード」オプションを使用して、ReefMatのWi-Fiが正しく機能していることを確認します。機能している場合は、同じ部屋にある携帯電話のインターネット共有に接続してみます：デバイスマネージャー>デバイス3ドットメニュー>アバウト>接続性

この接続に失敗する場合、カスタマーサポートにご相談ください。これが上手くいった場合、問題はルーターの信号強度、設定、周波数、またはデバイスの過負荷などが考えられます。

- ルーターの信号強度が、デバイスが設置されている場所に安定した接続するのに十分であることを確認してください。十分でない場合、水槽の近くに適切なWi-Fi子機を設置する必要があります。
- ルーターに既に接続されている機器が多すぎる可能性があります。
- ご使用のルーターは、ReefMatなどのデバイスを接続できないように構成されている場合があります。この状況はオフィス環境では一般的であり、IT担当者に連絡してください。

Q. ReefMatが接続されていないという通知を受け続けます。

- A.** ネットワークルーターがインターネットに常時接続されていない場合は、水槽を「オフライン」に設定します（水槽>3ドットメニュー>オフライン）。ネットワークルーターが常時接続している場合は、ReefMatとルーター間のWi-Fi接続の品質、またはインターネット接続の安定性を確認してください。

Q. ReefMatを初めてセットアップした、または、ReefBeatアプリに再接続したところ、ドライブユニットの巻き取り/巻き戻しボタンが反対方向に機能しているようです。

- A.** ドライブユニットの左右の設定が正しいことを確認してください。設定を間違えると、巻き取りシャフトが反対方向に回転します。正しくない場合、手動または自動巻き取りを行うとユニットは動作を停止し、「マットの詰まり」通知を発信します。ドライブユニットの位置を確認/リセットするには：ホーム画面>設定ページ>その他の設定>ドライブユニットポジションから変更してください。

Q. フィルターチャンバーの上部から水が流れ出ており、フリースマットが進んでいません。

A. 以下を確認してください。

- ReefMatセンサーは、フィルターチャンバーの操作位置に正しく取り付けられているか。
- ReefMatセンサーの下部にあるチタン製のピンに、有機物やミネラルの固着がなく、きれいな状態であるか。
- ReefBeatアプリ設定ページの自動巻き取りがオンになっていて、ページ上部の保存ボタンを押しているか。
- 海水のシステムで使っているか。ReefMatセンサーは、淡水または低塩分の汽水を感知できません。

- Q.** フィルターチャンバー内の水位が上昇していないようで、フリースマットが巻き取られていません。
- A.** 新しく設置したユニットの場合、フィルターチャンバーの内側にある最初のフリースマットが汚れて巻き取られるまでに約1日かかる場合があります。既にこなれたシステムでは、一定の時間毎に定期的に巻き取りが行われるよう、マットの巻き取り長さの設定が適切であることを確かめてください。また、「予約巻き取り」の設定が長過ぎないか確認してください。すべての設定が正しい場合は、水がフリースマットを適正に通過していない要因となる次の問題がないか確認してください。
- インレットホースがインレットポートにしっかりと接続されていないか、シーラント剤が塗られていない。
 - インレットポートプラグが使用していない方のインレットポートを正しく塞いでいない。
 - マットリテーナーがフィルターチャンバー内に正しく装着されていない。
 - フィルターチャンバー内のフリースマットに穴が開いているか捻じれている。

製品保証

レッドシー製品の限定保証

この限定保証では、ご使用の製品について、**Red Sea Fish Pharm Ltd (RedSea)**が製品の保証を行うことを宣言します。これ以外はRedSeaからのいかなる明示的または暗示的保証もありません。

RedSeaでは当初購入日から12ヶ月の期間について、材料および仕上がりの欠陥に対してご購入製品に保証を与えるものであり、新品部品または部品交換により無料で(輸送料別途)この製品を修理致します。初期不良を除き、使用中のファンの破損に関しましてはこれに含まれません。保証の前提条件は、規定されたセットアップ手順が遵守されることです。保証期間中または保証期間後、本製品に問題が生じた場合は、購入された小売店または弊社にご連絡ください。

この保証は購入者本人以外には適用されません。保証行為の実行には購入日・購入店舗を証明するものが必要です。この保証は、正規使用中に発生した材料または仕上がりの欠陥による故障だけが対象となります。使用上に影響のない細かな傷や欠損に関しては保証の対象外です。出荷中に発生した損傷、または誤用、乱用、不注意、不適切な設置方法、あるいは別用途での使用、構造変更により発生した故障は対象とはなりません。RedSeaは、この製品の使用の結果発生した偶発的、間接的損害、またはこの保証の侵害により発生した偶発的、間接的損害には責任を負いません。販売性および特定用途への適合性の保証を含め、すべての明示的および暗示的保証は、上記該当保証期間に限定されます。

これらの文言は、お客様の法的権利に影響を及ぼすものではありません。

FCCコンプライアンスステートメント：

この装置はFCC規則の第15部に準拠しています。動作には、次の2つの条件が適用されます。(1) このデバイスは有害な干渉を引き起こさない。(2) このデバイスは、望ましくない動作を引き起こす可能性のある干渉を含む、受信した干渉を受け入れなければならない。Red Seaによって明示的に承認されていない変更または修正は、RFモジュールおよび/またはRFモジュールを組み込んだ製品を操作するためのユーザーの権限を無効にする可能性があります。FCC規制への準拠を確実にするために、ユーザーは製品から20 cmの間隔を保つように注意してください。

CE適合宣言書：

この機器は、RF曝露要件2014/53/EU、および一般大衆の電磁界（0-300 GHz）への曝露制限に関する理事会勧告に準拠しています。

また、次の適合基準を満たしています：EN 300 328、EN 301489-17。

Red Sea Aquatics (GZ) Ltd.
Block 2-4, No.168, West Yingbin Road,Xinhua Industrial Park,
Huadu District, Guangzhou City, China, Postal code 510812.

連絡先

国内総代理店

株式会社エムエムシー企画 レッドシー事業部

〒174-0063 東京都板橋区前野町6-29-4

E-meil:info@mmcplanning.com



217-204070

ReefMat® 250

智能 - 即插即用® - 高效

用户手册

 Red Sea

内容

简介.....	65
ReefMat部件	66
安全.....	67
概述.....	68
ReefMat智能滤布过滤器的功能.....	68
与静态机械过滤器相比, 滤布过滤器的优势.....	69
安装ReefMat滤布过滤器的准备工作.....	69
ReefMat 的安装.....	72
LED指示灯.....	75
设置按钮-功能.....	76
正转 / 反转按钮.....	76
连接和初始设置.....	77
插入新滤布卷.....	77
启用新滤布卷.....	82
操作.....	82
其它设置.....	84
ReefMat数据.....	85
部分卷.....	86
从收集轴上取下用过的滤布.....	86
设备维护.....	87
故障排除.....	88
质保.....	90

简介

感谢您购买红海的ReefMat®。

ReefMat®是一种即插即用、全自动、智能的滤布过滤器，可让您水族箱的水连续数周保持清澈。

ReefMat®的设计考虑到了爱好者的需求，它具有一个简单的滤布更换系统，让您无需从水槽中取出过滤器，甚至无需关闭泵就可以更换滤布。

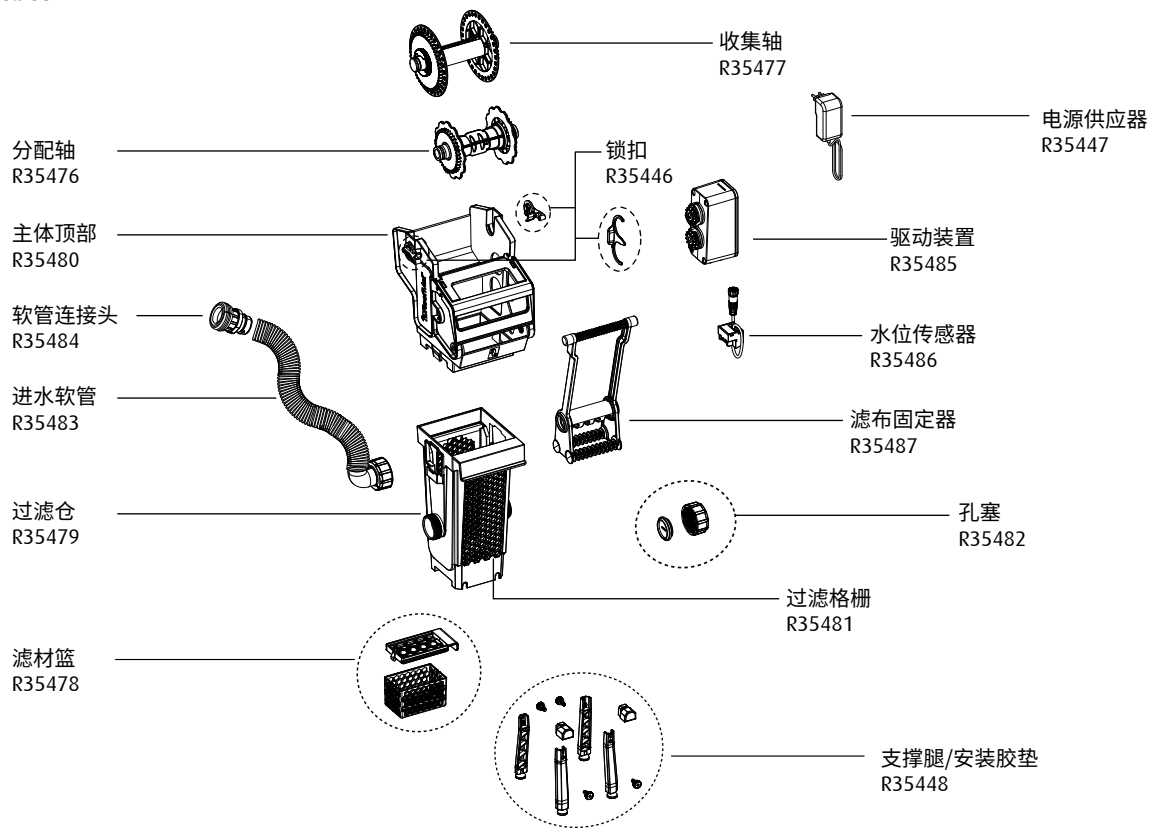
ReefMat包含一个智能驱动单元，用于控制和监控所用滤布的确切长度，同时还有很多其它独特的功能。

ReefMat是红海整套智能设备中的其中一个产品，通过智能移动设备端的ReefBeat®应用程序连接到Wi-Fi进行操控。

欢迎使用红海珊瑚饲养的智能系统！

红海团队

ReefMat部件



安全

请阅读和遵守所有安全注意事项。

本设备仅供家用及室内使用。

危险: 为避免触电,在对已经放入水的水族箱实施操作时,需小心注意。当出现以下情况时请勿自己尝试修理设备;将故障设备返回授权服务处或者丢弃故障设备。

警告: 为防止受伤,应遵守以下基本的安全预防措施:

如果电源线或插头损坏,发生故障或以任何方式掉落或损坏,请勿使用设备。

8岁及以上的儿童和身体、感官或精神能力下降或缺乏经验和知识的人可使用本设备,前提是它们已接受有关安全使用本设备的监督或指导,并了解所涉及的危险。儿童不得玩本设备。未经监督,儿童不得进行清洁和用户维护。

本设备只能与随设备提供的电源装置一起使用。

当儿童使用或有儿童可能接触设备时需要密切监督。

为避免受伤,请勿接触活动部件。

在不使用时、装上或取下部件之前以及清洁之前,务必将设备从插座上拔下。从插座上拔下插头时,切勿拉动电源线本身。抓住插头并拔下以断开连接。

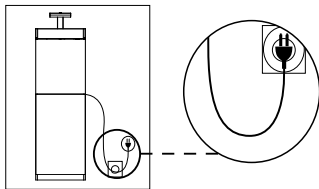


图1:滴水环

请勿将本产品用于其用途以外的任何用途。使用非设备制造商推荐或销售的配件可能会导致不安全的情况。

切勿在露天环境或者温度低于0°C的环境下使用设备。

在操作之前,确保设备已牢固安装。

阅读并遵守对设备的所有重要事项。

注意: 额定电流小于或等于电器额定值的电源线可能会过热。请放置好电源线,防止被电源线绊倒或牵拉电源线导致的事故。如果电源线损坏,请勿使用。如有需要,请勿自行更换或修理;将设备送回授权维修机构进行维修或丢弃设备。

额定信息:

工作温度: 5 to 45°C

相对湿度: 15~85%RH

电源电压: 100-240V 50/60Hz

额定值: 1A, 最大功率为10W.

工作电压: 12 Vdc

工作频率: 2402 - 2480 MHz

最大功率: 32.43 mW

概述

ReefMat是一种机械过滤器,将水族箱水中的颗粒物通过一种滤布去除,该材料可物理捕集大于过滤材料网眼的颗粒物。

ReefMat的设计是用于过滤缸,通过重力直接从水族箱供水或通过过滤缸内的专用泵供水。

滤布以连续卷的形式提供,通过过滤仓的一连串的过滤格栅。

ReefMat过滤仓的底部是敞开的,当滤布是新的时候,过滤仓内的水位将与过滤缸中的水位相同。随着滤布上收集到的废物颗粒越来越多,过滤仓内的水位缓慢上升。

位于过滤器主体顶部附近的水位传感器检测水位上升,并在预定点触发滤布的自动推进,从而引入预设长度的清洁材料,降低装置内的水位。这一过程会自动持续到滤布的整个长度,然后需要更换滤布。

ReefMat智能滤布过滤器的功能

ReefMat®的设计考虑到了爱好者的需求,它具有一个简单的滤布更换系统,让您无需从水槽中取出过滤器,甚至无需关闭泵就可以更换滤布。

ReefMat®设有一个防故障的固态双水位传感器和一个智能驱动装置,用于控制和监控所用滤布的确切长度。ReefMat®是通过 Wi-Fi 连接到红海的ReefBeat®智能水族箱生态系统应用程序,在滤布需要更换或需要您干预时,会提前几天通知您。该系统为您提供每日和每小时的使用日志,以便您可以监控当前卷的性能,甚至可以追踪以前的卷。

正在申请专利的驱动装置在记录新材料分配轴的旋转时,驱动收集轴上用过的材料。如果发现滤布被堵塞或撕裂,该装置可以立即关闭电机,并向ReefBeat应用程序发送通知。

双水位传感器安装在过滤仓顶部,一个传感器位于过滤仓内,一个传感器位于过滤仓外。内部传感器用于ReefMat的常规操作,而外部传感器将检测过滤缸中是否存在高水位(例如,当主回流泵关闭时),并防止连续分配新的滤布。

ReefMat出水口处的内置滤材篮将确保只有预先过滤的水流通过滤材篮,从而改善所有滤材的性能。

与静态机械过滤器相比，滤布过滤器的优势

静态机械过滤器，如微米滤袋、丝绵、垫子等，可以很好地捕获过滤器颗粒。然而，在移除并清洗这些静态过滤器之前，残留的颗粒会留在水中，并随着往系统中添加的营养物质（硝酸盐和磷酸盐）而逐渐分解。使用正确的额定滤布过滤器将在大约一天内清除所有收集的颗粒，明显减少其分解。由于ReefMat的高效，尤其是内置滤材篮中的碳，您很有可能会注意到，在将其添加到设置好的水族箱中，营养水平很快就会下降。

红海系统

如果要将ReefMat加装到红海REEFER或MAX水族箱系统，请查看官网推荐的安装选项：

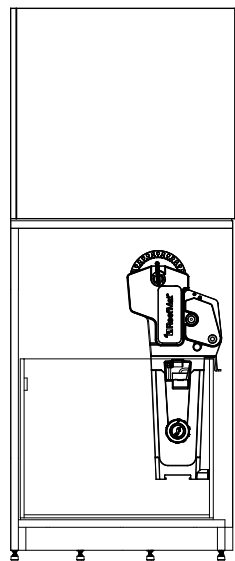
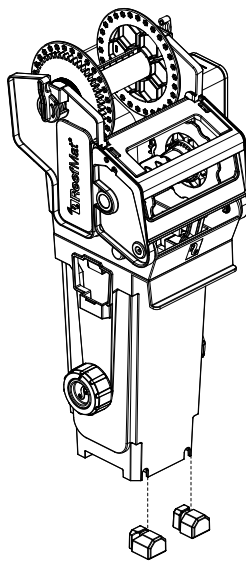
<http://g1.redseafish.cn/wp-content/uploads/2022/05/ReefMat-installation-guide-CH.pdf>



安装ReefMat滤布过滤器的准备工作

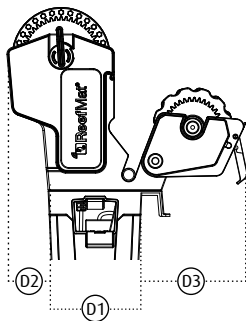
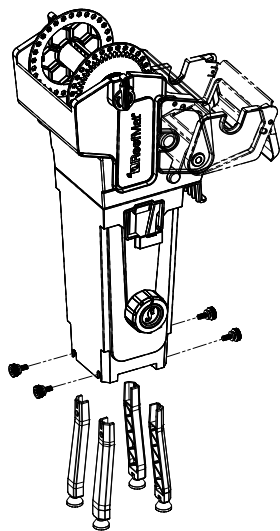
悬挂安装

为了便于维护，建议将ReefMat悬挂在过滤缸的前壁上。对于这种安装，将安装胶垫插入过滤仓的底部前端。

CH


站立式安装

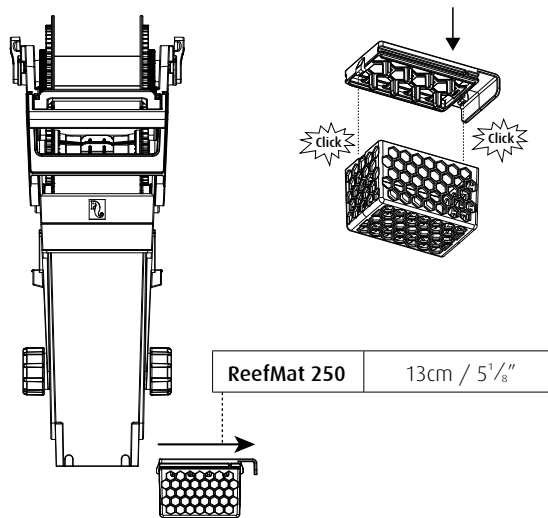
将4条支撑腿安装在过滤仓底部，确保ReefMat前面有足够的空间完全打开前盖。



	ReefMat 250
D1	11.5cm / 4 ¹⁷ / ₃₂ "
D2	5cm / 1 ³¹ / ₃₂ "
D3	13cm / 5 ¹ / ₈ "

滤材篮

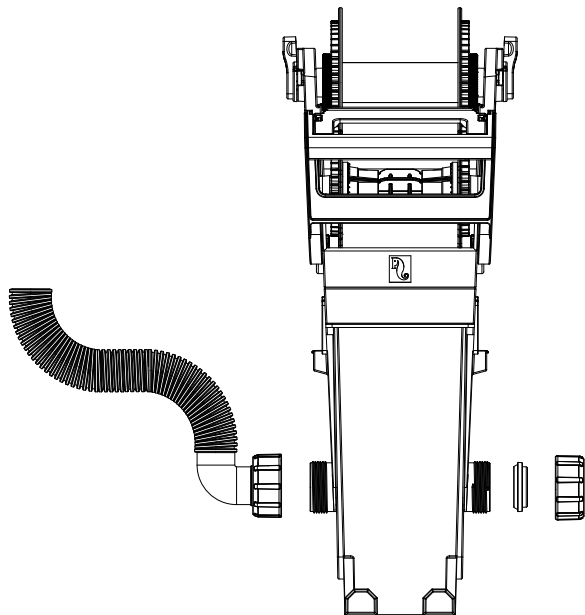
如果使用滤材篮，请确保侧面有足够的空间可将滤材篮取出。



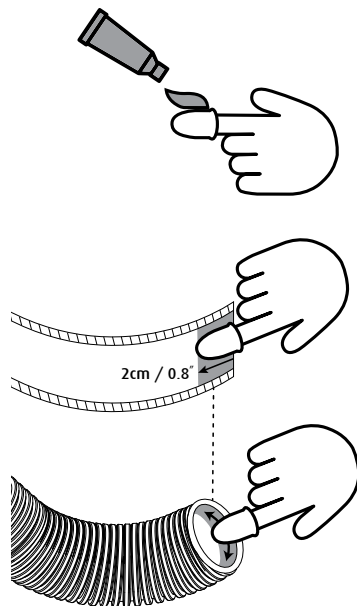
ReefMat 250 13cm / 5¹/₈"

进水软管

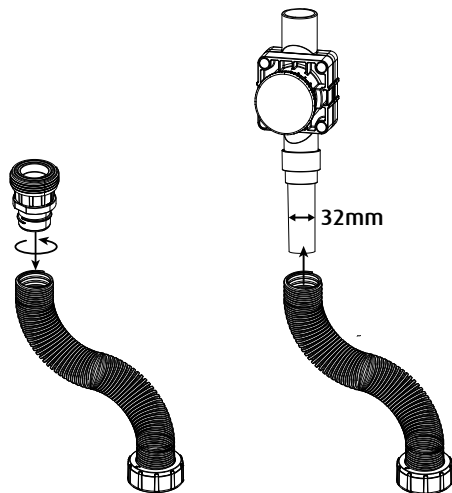
抗扭结波纹进水软管的一端可以连接到过滤仓两侧的任意一个进水口。



根据安装情况，将软管的自由端切割至所需长度。使用提供的指套，在软管内表面的前2cm/0.8"处涂抹少量液体密封胶，并拧入软管接头，直到其拧紧。清除软管内部多余的密封胶。

CH


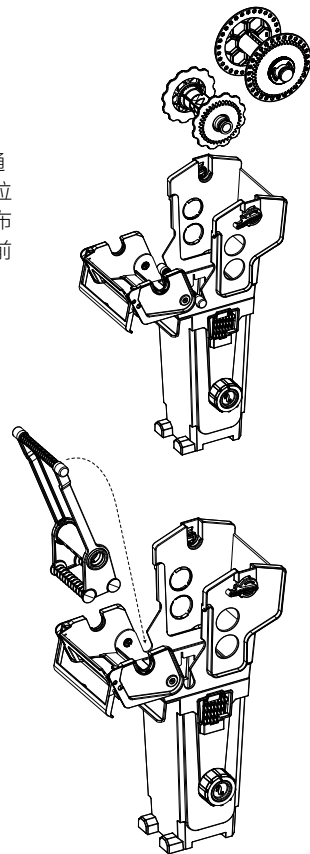
注：该零件是左旋螺纹。可在密封剂干燥前使用该软管。通用接头的另一侧可以粘在标准的32mm或1" PVC管上。



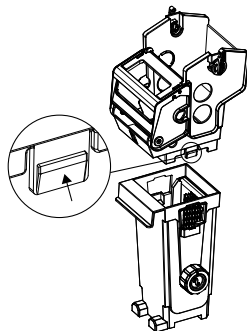
或者，波纹软管的自由端也可以直接连接到大多数红海Reefer系列系统中使用的直径为32mm的标准PVC管上。该接头不承受任何水压，但建议使用液体密封剂并用扎带将波纹软管固定到位。

ReefMat 的安装

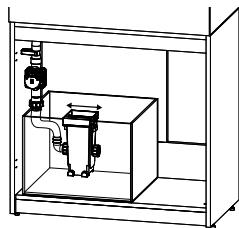
将收集轴锁扣旋转至打开位置，并从ReefMat主体顶部拆下收集轴。通过升高手柄并将其向前旋转至水平位置来打开前盖，拆下分配轴。将滤布固定器完全从过滤仓中提起，关闭前盖，并通过降低手柄将其固定到位。



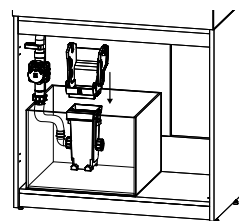
将ReefMat主体顶部从过滤仓中取出，方法是在举起的同时按下侧锁销



将过滤仓放置在过滤缸内选定的位置，并将进口软管连接到过滤仓左侧或右侧的进水口。



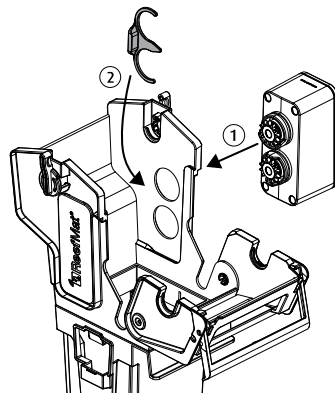
确保过滤格栅在仓内就位，并将ReefMat头部装置安装到位。



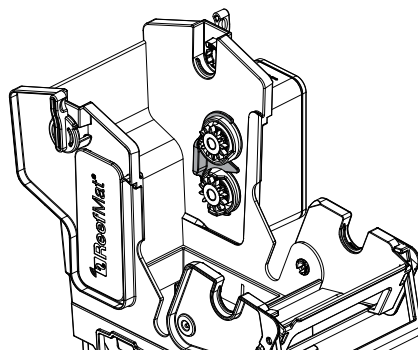
将直流电源连接至驱动装置末端的2针电源插孔。

将水位传感器连接到驱动装置末端的4针插孔。

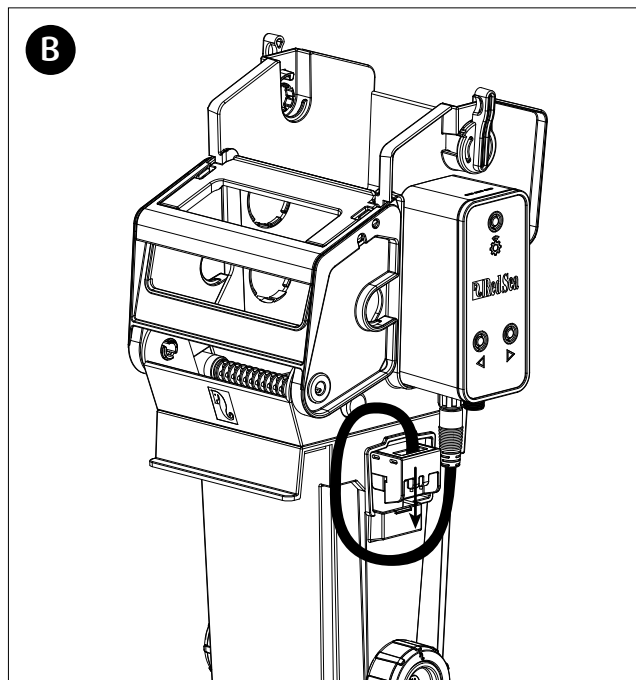
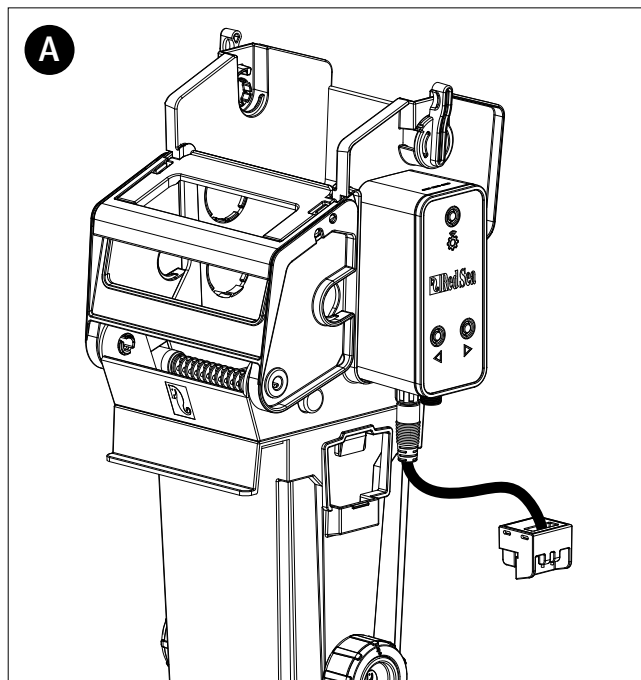
将驱动装置安装在ReefMat主体顶部的左侧或右侧，并用提供的夹子将其固定到位。确保驱动器旁边有足够的空间来操作Wi-Fi设置和正转/反转按钮。



CH



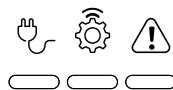
将水位传感器安装到其在过滤仓的工作位置。



将电源从底柜背部穿过，插入墙上的插座或其它合适的电源中心。
检查驱动装置前端的指示灯LED是否亮起。

将驱动装置连接到ReefBeat应用程序上，并在安装滤布之前完成初始设置。

LED指示灯


CH


电源指示灯：

- 红灯亮-直流电源可用。
- 红灯不亮-直流电源不可用。



设置指示灯：

- 红灯稳定 - ReefMat连接到家庭网络。
- 红灯闪烁 - ReefMat处于Wi-Fi接入点（AP）模式（可从Wi-Fi设备中发现）。
- 红灯不亮 - ReefMat Wi-Fi关闭。
- 双闪烁 - 表示状态变化/进程结束。



状态指示灯：

- 红灯不亮- ReefMat运行正常。
- 红灯闪-表示自动推进模式因以下情况之一而暂停：
水位高、水位传感器断开、滤布堵塞、滤布用完了。
同时按下正转/反转按钮将ReefMat重置为自动推进模式。

设置按钮-功能

如果LED指示灯关闭 (ReefMat Wi-Fi关闭)：按下按钮5秒钟(直到双闪烁)，启用Wi-Fi接入点模式。

如果LED指示灯闪烁 (ReefMat Wi-Fi 处于接入点模式)：按下按钮5秒钟 (直到双闪烁) 关闭Wi-Fi。

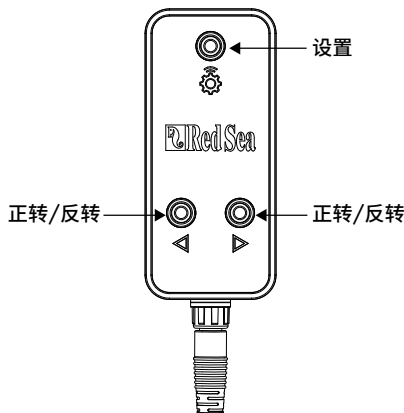
如果LED指示灯开启 (ReefMat Wi-Fi已连接到Wi-Fi 网络)：按下按钮5秒钟 (直到双闪烁)，将从网络上断开ReefMat的连接，转换成Wi-Fi接入点模式。(注意：从网络上断开ReefMat的连接前，先从ReefBeat的设备管理内删掉个别的ReefMat。) 注意：所有设置都将保留，重新连接到ReefBeat时可以恢复。

清除设置: 按下按钮15秒钟 (直到双闪烁)，删除所有用户设置和关闭Wi-Fi。通过断开和重新连接DC电源完成重置过程。

正转 / 反转按钮

按下驱动装置后面的按钮 (▷) 将手动把滤布从分配轴送至收集轴。按下驱动装置前面的按钮 (◁) 将手动从收集轴分配使用过的滤布，但不会自动卷回分配轴。该动作主要是释放收集轴上的张力，以便轻松将其从正常操作位置移除。

注意：选择驱动装置的右/左安装时，会设置正转/反转按钮的旋转方向。默认设置适用于右侧安装，在右侧安装中，即使连接到ReefBeat之前，按钮也能正常工作。对于左侧安装，按钮将以相反方向工作，直到连接到ReefBeat。



连接和初始设置

根据您的智能移动设备类别，从app store或Google Play Store下载和安装ReefBeat应用程序。

如果这是您的第一个ReefBeat设备，您需要建立一个帐户，并添加一些水族箱的详细信息。如果您没有永久的互联网连接，请将水族箱设置为“离线”。

按下设置按钮5秒钟（直到双闪烁），将ReefMat设置为AP模式。指示灯LED应闪烁。

点击设备管理页面中的添加设备按钮，选择图标并按照应用程序中的说明操作。这可能需要几秒钟。如果列表中没有设备，请检查ReefMat是否处于AP模式和/或刷新页面。

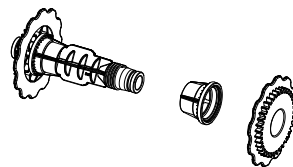
ReefBeat应用程序现在将显示ReefMat当前位置可用的Wi-Fi网络和信号强度列表。选择首选网络，等待ReefMat连接到该网络。指示灯LED现在将为稳定红色。按照应用程序上的说明进行初始设置。

如果您已将水族箱设置为离线，请选择屏幕顶部的“直接模式”选项以跳过网络连接。ReefMat Wi-Fi保持AP模式时，指示灯LED将继续闪烁。

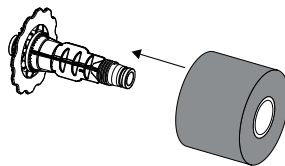
按照应用程序中的说明将ReefMat连接到ReefBeat应用程序和云。然后选择在ReefMat的哪一侧（左侧或右侧）安装驱动装置。最好回到应用程序，确认滤布卷在实际安装后已安装，以避免触发任何警告通知。

插入新滤布卷

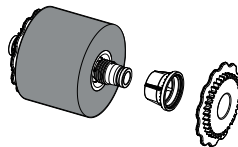
移除所有包装材料，并将新滤布组装到分配轴上，如下所示：拆卸轴。



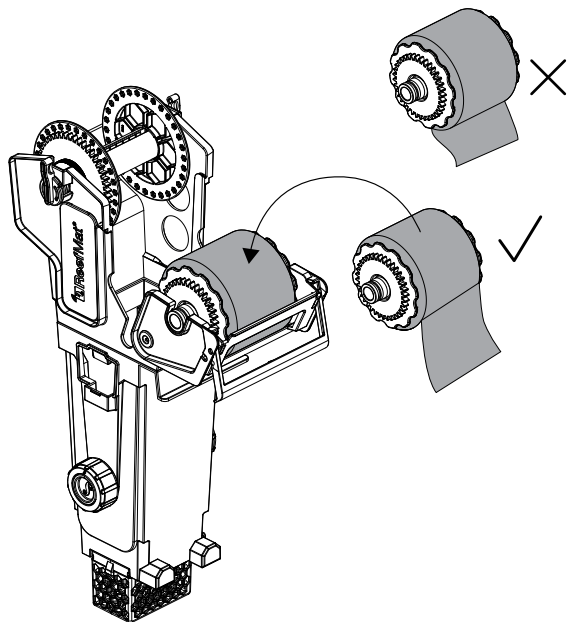
将轴插入新卷的纸板芯中。



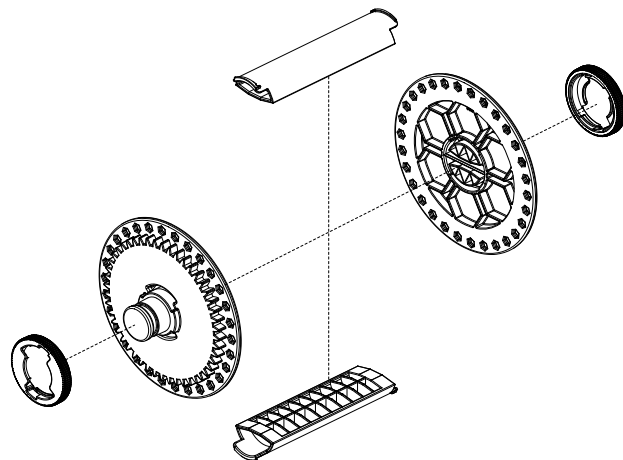
将卡盘插入轴上，并将侧板牢固地拧入位。



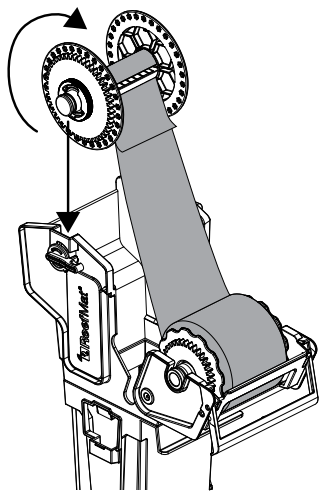
打开前盖，将分配轴放入前盖的凹槽中，材料的自由端向下悬挂在外侧。



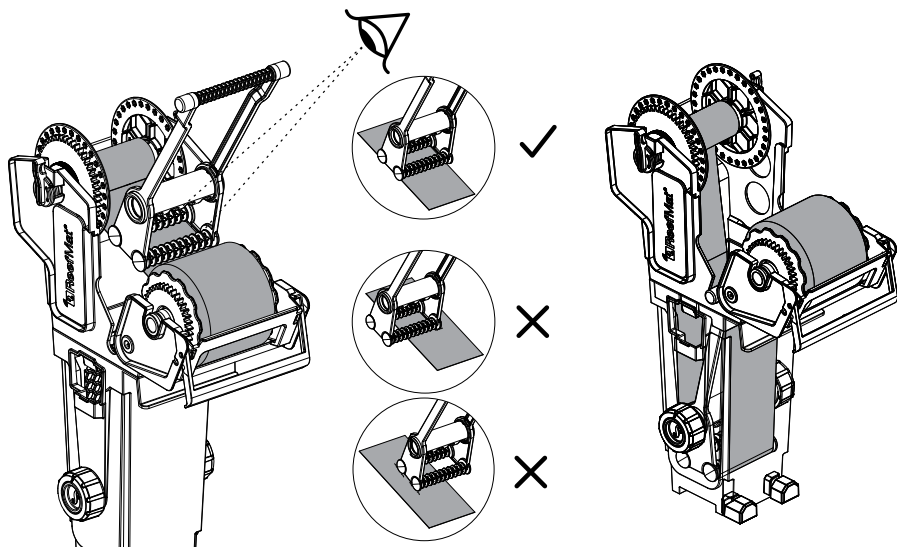
注意：拆解并重新组装收集轴，以熟悉操作方法。这将使您在需要移除第一个完全使用过的滤布卷时更容易。



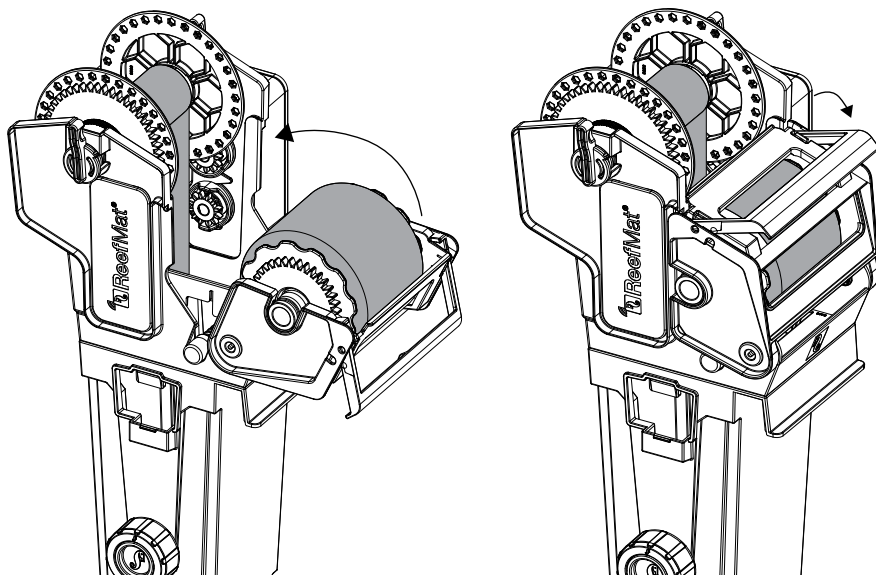
将滤布的自由边缘拧入收集轴的槽中，并向前旋转顶部（以便新滤布来自轴的底部后端）几圈，以将材料牢固地固定在轴上。将轴降到其在头部的工作位置，并随着轴上的齿轮与驱动装置上的齿轮啮合而轻轻旋转。关闭侧锁，将轴固定到位。



核实密封件已安装在固定器的两侧。将外部转轴与滤布的外缘对齐。小心地将固定器放低放在腔室内，直到它牢固地固定在底部，并且固定器手柄位于头部的槽中。由于收集轴无法自由旋转，当降低固定器时，滤布将自然从新卷上松开。



将前盖返回垂直位置，并通过降低手柄锁定到位。确保通过旋转分配轴拧紧滤布。或者，按下驱动装置上的“正转”按钮，将任何松散材料收集到收集轴上。



启用新滤布卷

CH

- 打开应用程序，从设置页面转到“新滤布卷安装”，然后选择“全新滤布卷”选项。这将在正常操作的“自动推进”模式下启用装置。如果您没有安装全新滤布卷，请参阅下面的“部分滤布卷”说明。
- 当安装一个新卷时，整个过滤仓都排列着干净的滤布，因此，从最初的滤布到堵塞，可能需要相当长的时间，足以使其推进。ReefBeat主页将在“今日”和“总用量”计数器中的使用进度栏中显示初始长度（38cm / 15"）的信息。
- 如果您想确保已正确安装新滤布卷，请使用“设置”页面中的“手动推进”选项，将滤布前进预设默认长度为2-2.5cm/0.8"-1"。

操作

自动推进

ReefMat的设计目的是，每当过滤器内的水位上升到内部传感器的水位时，自动推进滤布一个预设长度。自动推进功能可以根据需要，从以下位置禁用/启用：主页>设置页面>自动推进。当启用自动推进功能，将会持续滤布卷整个长度，除非出现以下情况之一。在这种情况下，相应的通知将发送到ReefBeat应用程序，驱动装置上的状态指示灯LED将闪烁，ReefMat将等待您的干预以解决问题。如果在6小时内没有自动推进，驱动装置将执行大约0.5cm/0.2”的自动自检，以检测滤布是否撕裂。”

滤布堵塞

如果由于机械堵塞（收集轴堵塞或在未推动滤布的情况下旋转）滤布无法前进，或滤布撕裂，驱动装置将停止尝试推动滤布，等待您的干预以解决问题。驱动装置上的状态指示灯LED将闪烁。ReefBeat应用程序将收到通知，主页中的状态将显示为“滤布堵塞”。

如果滤布被堵塞，很可能是蜗牛等动物被夹在滤布和固定器上的一个滚轴之间。要解决堵塞，请执行以下操作：

- 按下反转按钮，直到大约2.5cm/1”的滤布从收集轴上松开。
- 用手旋转分配轴，将释放的滤布收起来。这可能会清除导致堵塞的任何东西，而无需拆下滤布固定器。
- 按下正转按钮，直到滤布向前移动约5厘米或2英寸。如果这无法解决堵塞问题，请执行以下操作：
 - 打开前盖，将分配轴从头部移至前盖。
 - 提起滤布固定器，将其从滤布上拆下。
 - 清洗滤布固定器，确保导轮可以自由旋转。
 - 将滤布固定器放回滤布上，并将其锁定在过滤仓内。
 - 将分配轴放回顶部，关闭前盖并按下“正转”按钮，直到分配轴开始旋转。

如果收集轴仍在旋转，而滤布未向前移动，或滤布已撕裂，则从收集轴上取下用过的滤布（必要时切割滤布），然后重新插入滤布。注意：使用计数器将继续正常工作，因为它们不受从收集轴上移除材料的影响。

堵塞问题解决后，按下“恢复”按钮，从ReefBeat重新启动装置，或同时按下“正转/反转”按钮，直接从驱动装置重新启动装置2秒钟。

注意：如果在ReefMat进入ReefBeat的第一天内发出堵塞通知，请检查驱动装置的左/右设置是否正确。错误的驱动装置位置设置将在第一次滤布前进时立即导致“滤布堵塞”状态。主页>设置页面>更多设置>驱动装置位置

滤布卷用尽

当滤布卷用尽时，驱动装置将停止尝试推进滤布，并等待您安装新滤布卷。驱动装置上的状态指示灯LED将闪烁。ReefBeat应用程序将收到通知，主页中的状态将显示为“滤布卷用尽”。

安装完新滤布卷后，打开ReefBeat应用程序，从设置页面选择“新滤布卷安装”。如果安装的是部分使用过的滤布卷，而不是全新的滤布卷，请参阅以下说明。

无水位传感器

如果液位传感器未连接到驱动装置，ReefMat无法工作。驱动装置上的状态指示灯LED将闪烁。ReefBeat应用程序将收到通知，主页中的状态将显示为“无传感器”。

传感器连接后，驱动装置将自动返回自动推进。

高水位

如果过滤缸中的水位上升到ReefMat过滤仓内的工作水位（例如，当主回流泵关闭时），驱动装置将停止尝试推进滤布，直到过滤缸中的水位下降（例如，当主回流泵再次打开时）。当检测到高水位状态时，状态指示灯LED将闪烁，ReefBeat应用程序中的状态将显示为“高水位”。

其它设置

手动操作

可通过按下驱动装置侧面的“正转”按钮手动推进滤布。推进滤布的长度将取决于按下按钮的时间长短，但实际长短会被记录，并包含在每小时的分配日志中。

手动推进可以随时提供与预设自动推进相同长度。（**主页>设置页面>手动推进**）这可以用来作为测试，以确认装置的正常运行。

滤布推进（长度）

可将驱动装置设置为自动将滤布从最小0.5cm-1.0cm/0.2-0.4”推进至过滤仓的全长。

默认预设值为2.0-2.5cm/0.8-1.0”。建议在运行的前几天保留此默认设置，直到平均每日使用量稳定为常规值。一旦确定每日平均值，可以自定义滤布推进长度，以提供所需的推进频率。

要自定义滤布推进长度：主页>设置页面>更多设置>滤布推进。记住按“保存”按钮来执行更改。

设定时程

设定时程功能使您能够预设好一个较长的滤布推进运行时间，在每天的特定时间运行。例如，如果平均每日使用量为36厘米，而您设定时程为12厘米，则可以假设ReefMat8小时无需再次运行。如果你想确保在某个特定的时间段内没有任何噪音，例如在夜间，卧室里的水族箱会发出噪音，这一点非常有用。此功能仅在确定每日平均值后可用。启用设定时程：主页>设置页面>更多设置>设定时程。记住按“保存”按钮来执行更改。

滤布卷用尽监控

滤布卷用尽监控可根据每日平均消耗量，让您知道滤布卷用完前的预设天数。默认值设置为5天。可以从以下位置进行更改：主页>设置页面>更多设置>滤布卷用尽监控。记住按“保存”按钮来执行更改。

编辑ReefMat的驱动装置位置

如果在初始设置ReefMa期间选择了错误的驱动装置位置，则可以从主页>设置页面>更多设置>驱动装置位置进行更改这些设置。请记住按“保存”按钮来执行您的更改。

清除设置

要从ReefMat的内存中永久清除所有用户设置，并将其恢复到初始默认状态，请执行以下步骤。

如果设备已连接到ReefBeat，请从设备管理触发硬重置选项：设备管理>硬重置

如果设备未连接到ReefBeat，请按设置按钮约15秒（直到Wi-Fi指示灯LED显示双闪烁），松开按钮并等待约1分钟，以便设备重新启动。

该设备将在没有任何用户设置下重新启动，并关闭Wi-Fi，正如出厂设置，该设备将保留最新安装的固件版本。

ReefMat数据

ReefBeat提供了过去30天（离线水族箱为7天）滤布使用情况的每日和每小时日志。完整卷的日志可以导出为.csv文件。

此外，ReefBeat保留一个运行日志历史记录，显示之前运行的天数。

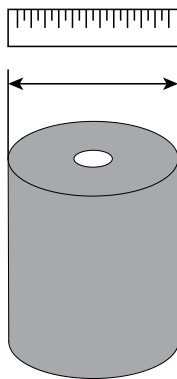
CH

部分滤布卷

如果您已移除部分使用过的滤布卷，并希望在以后使用，则应在将其安装为新滤布卷时选择“部分滤布卷”选项。

为了获得完整的功能，最好在将滤布卷安装到收集轴上之前测量滤布卷的外径，并在 ReefBeat应用程序中输入该值。

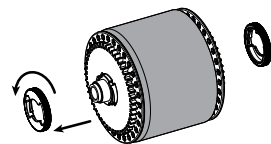
作为导向，侧盘的直径为98mm 3.9”。



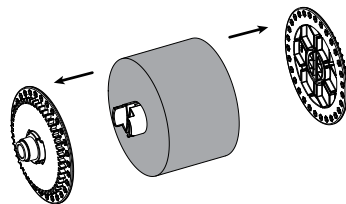
如果您选择不输入直径，ReefMat将继续正常过滤水族箱，但是系统将无法监控确切的使用情况，并且滤布卷用尽监控通知将被禁用。

从收集轴上取下用过的滤布

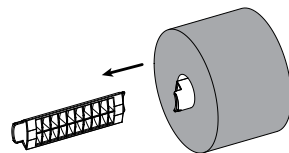
逆时针旋转，拆下固定螺母。



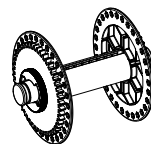
通过推动穿过盘的轴的两半部分，拆下侧盘。



将轴的两半部分从用过的滤布上滑出，一次一个。



重新组装收集轴，以备下次使用。



设备维护

驱动装置

为了使驱动装置继续平稳运行，我们建议定期确保其保持清洁、干燥和无任何盐沉积。

这个装置不防水。不要浸入水或其它溶液中。

请勿打开，驱动装置内没有用户可维修的零件。

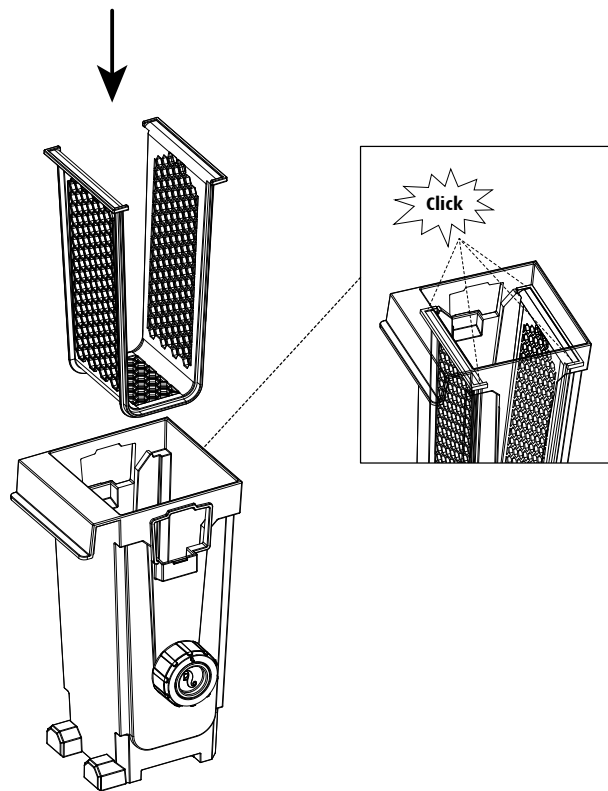
水位传感器

我们建议定期确保传感器没有任何藻类生长或盐沉积。传感器是防水的，可以在流水下安全清洗。钛尖可以刷除任何硬沉积物。

过滤仓部件

建议每次更换滤布时清洗滤布固定器和过滤网，以防止细菌、藻类或海洋动物积聚，从而导致堵塞或撕裂。

注意：组装格栅后，将顶部边缘紧靠主体以固定格栅。



故障排除

ReefMat和ReefBeat应用程序完整和最新的常见问题在应用程序 (主页菜单 > 帮助 > 常见问题) 和官网上可以找到。

问: 我在安装ReefBeat应用程序时遇到问题, 或者程序崩溃了, 或者看起来不像手册中描述的那样工作。

答: 在官网上查询你的特定智能移动设备是否在可支持的设备列表中。

问: 我的智能移动设备在支持的设备列表中, 但总是崩溃。

答: 卸载和重新安装应用程序, 并使用你的用户名和密码再次登录。如果没有帮助, 请联系客户支持。

问: 我很难将ReefMat连接到我的家庭网络。

答: 通过“离线直接模式”选项, 检查ReefMatWi-Fi是否正常工作, 如果是, 试着在同一房间连接到手机热点: 设备管理 > 设备菜单栏 > 关于 > 连接。如果这些选项都不起作用, 请联系客户支持。如果有效, 问题可能来自路由器信号强度、或其配置、或可能设备超负荷。

- 检查路由器的信号强度是否足以让ReefMat在所处位置稳定连接。你可能需要在水族箱附近安装一个合适的Wi-Fi扩展器。
- 路由器可能已经连接了太多的设备。
- 你的路由器可能被配置为不允许像ReefMat这样的设备连接。这种情况在办公环境中很常见—请联系你的IT专业人员。

问: 我一直收到有关我的ReefMat未连接的通知。

答: 如果你的网络路由器没有永久连接到互联网, 请将你的水族箱设置为“离线” 我的水族箱 > 设备菜单栏 > 离线。如果你的网络路由器是永久连接的, 检查你的设备和路由器之间Wi-Fi连接的质量或者你的网络连接的稳定性。

问: 我刚刚第一次设置了ReefMat, 或者刚刚将其重新连接到ReefBeat应用程序, 驱动装置上的“正转/反转”按钮似乎往反方向工作。

答: 检查驱动装置的左/右设置是否正确。错误的设置将导致收集轴以相反方向旋转。如果未纠正, 第一次手动或自动推进将停止装置工作, 您将收到“滤布堵塞”通知。检查/重置驱动装置位置: 主页>设置页面>更多设置>驱动装置位置。

问: 水从过滤仓顶部流出, 滤布没有推进

答: 请检查以下内容:

- ReefMat传感器正确安装在过滤仓的工作位置。
- ReefMat传感器底部的钛针是干净的, 没有任何有机/矿物堆积的障碍物。
- ReefBeat应用程序设置页面中的自动推进功能已启用, 您按下了页面顶部的保存按钮。
- 你是否用于海水系统。ReefMat传感器无法检测淡水或低盐度微咸水。

问：过滤仓内的水位似乎没有上升，滤布也没有推进。

答：如果这是一个新安装的装置，可能需要大约一天的时间，才能使过滤仓里的最初滤布被堵塞，从而促使滤布推进。在已建立的系统中，检查滤布推进长度设置是否处于合理的长度，以便在预期的时间范围内定期推进。还要检查长时间的“预设推进”是否没有执行。如果所有设置都正确，请检查导致水完全或部分绕过滤布是否存在以下问题之一：

- 进口软管与进水口连接不牢固，或硅胶密封缺失。
- 进水口螺塞未正确密封未使用过的进水口。
- 滤布固定器在过滤仓内未正确安装到位。
- 过滤仓内的滤布已穿孔或扭曲。

质保

红海水族产品质保

Red Sea Aquatics (GZ) Ltd公司声明承担该产品的有限质保责任。Red Sea Aquatics (GZ) Ltd公司不负责该产品质保外的任何承担。

Red Sea Aquatics (GZ) Ltd公司会对你的产品从购买日期算起24个月内出现的材料和工艺的不良进行保修，并且会免费维修和更换新或重建配件（不包含运输费用）。保修的前提条件是遵守规定的设置程序。若产品在保修期内或超出保修期一旦出现问题，联系当地经销商或者离你最近的Red Sea指定服务商。

保修仅延伸至原始购买者。在提出保修之前需递交购买日期的证明。质保只针对在正常使用下材料或工艺出现的不良情况。运输过程或使用不当导致损坏不在质保范围内。质保不包括因运输过程中发生的损坏或由于滥用，滥用，疏忽，安装不当，操作，误操作，误用，更改，修改或由红海指定服务商以外的任何人提供服务而导致的故障。对于因使用本产品或因违反本保修条款而导致的偶然或间接损失，Red Sea概不负责。所有明文或默认，包括可销售性保证和特定用途的适用性，均限于上述适用的保修期。

以上陈诉并不影响消费者的法定权益。

美国

某些州禁止将意外或因此产生的损失排除在外或限制在内，也不允许限制暗示性担保的持续时间。因此，上述排除性或限制性规定在这些州不适用。

FCC 符合性声明:

该设备符合FCC条例的第15部分。运行时必须满足以下两个条件：（1）本设备不得产生有害干扰；（2）本设备必须接受所接收的任何干扰，包括可能导致不希望引起的操作干扰。任何未经红海明确批准的变更或修改都可能使用户失去操作射频模块和/或包含射频模块的产品权力。用户被警告与产品保持20厘米(8英寸)的距离，以确保符合FCC的规定。

CE 合格声明:

该设备符合2014/53/EU，理事会关于限制公众暴露于电磁场(0-300 GHz)所建议的射频暴露要求。本设备符合EN 300 328、EN 301 489-17标准。



处置: 不要将此产品作为未分类的城市垃圾处置。有必要将这些废物分开收集，作特殊处理。

本产品不得与生活垃圾一起处置。该产品必须在经批准的地方处置，电子电器的可回收利用。

通过收集和回收垃圾，有助于节约自然资源，并确保产品以环保和健康的方式处理。

广州瑞喜红海水族制品有限公司

广州市花都区迎宾大道西168号B4-B6栋 邮编510812

ReefMat[®] Fleece-Roll

Efficient, high-flow, skimmer friendly, non-woven polyester fleece-mat rolls



Red Sea U.S.A

4687 World Houston Parkway
#200 Houston,
TX 77032, U.S.A
support.usa@redseafish.com

Red Sea Europe

655 Rue des Frères
Lumière 27130 Vermeuil
d'Avre et d'Iton, France
support.fr@redseafish.com

UK & Ireland

Red Sea Aquatics (UK) Ltd
PO Box 1237
Cheddar, BS279AG
uk.info@redseafish.com

Germany & Austria

Red Sea Deutschland
Büro Deutschland
Prinzenallee 7 (Prinzenpark)
40549 Düsseldorf
support.de@redseafish.com

China

Red Sea Aquatics (GZ) Ltd
Block B4-B6, No.168, West Yingbin
Road,Xinhua Industrial Park,
Huadu District, Guangzhou City,
China, Postal code 510812.
Tel: +86-020-6625 3828
info.china@redseafish.com

株式会社エムエムシー企画レッ
ドシー事業部
〒174-0063
東京都板橋区前野町6-29-4
info@mcmplanning.com